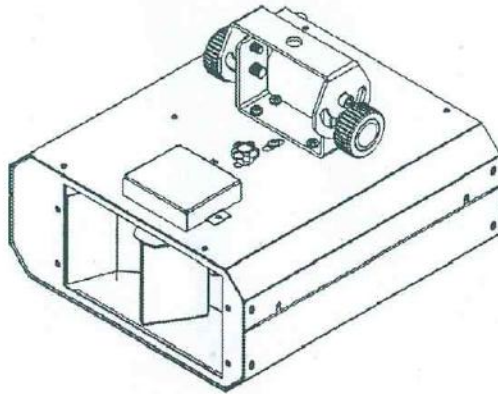


User Manual



Please read this user manual carefully and follow the instructions to avoid danger or damage to the unit due to mishandling.

A. Safety Introductions

- Please keep this User Manual for future consultation. If you sell the unit to another user, be sure that they also receive this instruction booklet.
- Unpack and check carefully there is no transportation damage before using the unit.
- Before operating, ensure that the voltage and frequency of power supply match the power requirements of the unit.
- It's important to ground the yellow/green conductor to earth in order to avoid electric shock.
- The unit must be installed in a location with adequate ventilation, at least 50cm from adjacent surfaces. Be sure that no ventilation slots are blocked.
- Disconnect mains power before replacement or servicing.
- Replace only with the same type.
- Make sure there are not flammable materials close to the unit while operating, as it is fire hazard.
- Use safety cable when fixes this unit.
- In the event of serious operating problem, stop using the unit immediately. Never try to repair the unit by yourself. Repair carried out by unskilled people can lead to damage or malfunction. Please contact the nearest authorized technical assistance center and always use the same type spare parts.

Warnings

- Always remember to unplug the unit from the main power before any service is done.

- There are no user serviceable parts inside.
- Qualified personnel should do Service only.
- Do not touch any wires during operation.
- Do not touch the unit barehanded during operation.

B. Installation

You can install the unit on the truss or ceiling. Use clamps to fix the unit to truss. Always ensure that the unit is firmly fixed to avoid vibration and slipping while operating. Always ensure that the structure to which you are attaching the unit is secure. Also always use a safety cable that can hold 10 times of the weight of the unit when installing the fixture.

C. Technical Specification

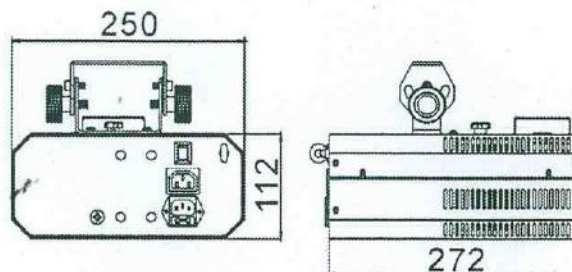
Voltage: 120V~60Hz 230/240/250V~50Hz

LED: 1 x 10W White


Fuse: T 6.3A


Dimension: 272 x 250 x 112 mm

Weight: 4kgs



D. Operation

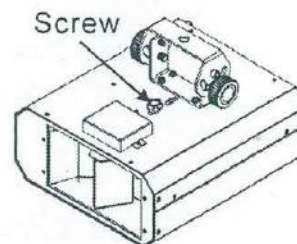
Set switch to  mode, gobo wheel and glass roller rotation;

Set switch to  mode, gobo wheel rotation;

Set switch to  mode, the unit run to music.

E. Focus Adjustment

Unscrew the screw and move the arm forward or backward to adjust the focus.



F. Troubleshooting

The fixture does not work

1. Check the connection of power and main fuse.
2. Measure the mains voltage on the main connector.
3. Check microphone to see if it is good by tapping the microphone.