



H A Harman International Company

C 900

Emotion Series II Condenser Cardioid

Description

The AKG Model C 900 is a rugged condenser cardioid microphone intended for on-stage instrumental and vocal pickup. Its extremely uniform polar pattern assures immunity to feedback and makes the C 900 ideal for use with in-ear monitoring systems. Due to new patented backplate construction, the C 900 maintains very uniform frequency response, and the PB 1000 presence boost adapter adds 3 to 4 dB of response above 5 kHz for increased presence. The microphone capsule has been carefully shock mounted for low handling noise, and the spring steel grille is durable and easily removable. The light-weight body is die cast zinc alloy and has a soft touch finish for comfort and secure handling to minimize reflection and glare. A gold trim ring enhances the appearance. The microphone includes a stand adapter and carrying bag.



Specifications

Transducer type:	Prepolarized backplate condenser
Frequency response:	20 - 22 kHz
Polar pattern:	Cardioid
Power requirements:	9 - 52 Vdc
Impedance:	200 ohms
Recommended load impedance:	>2000 ohms
Output connector:	Gold plated XLR-M
Sensitivity:	6 mV/Pa; -45 dB (re 1 V/Pa)
Sound pressure level for 1%/3% THD:	139 dB SPL
Equivalent noise level:	17 dB-A
Dynamic range:	122 dB
Environmental operation:	Temperature: -10°C to +65°C Maximum relative humidity at +20°C: 90%
Size:	Maximum diameter: 2 in. (51 mm) 7.1 in. length (180 mm)
Net weight:	10.4 oz. (294 g)
Shipping weight:	24 oz. (680 g)
Accessories included:	Carrying bag PB 1000 presence boost adapter SA 40 Floor stand adapter

Features

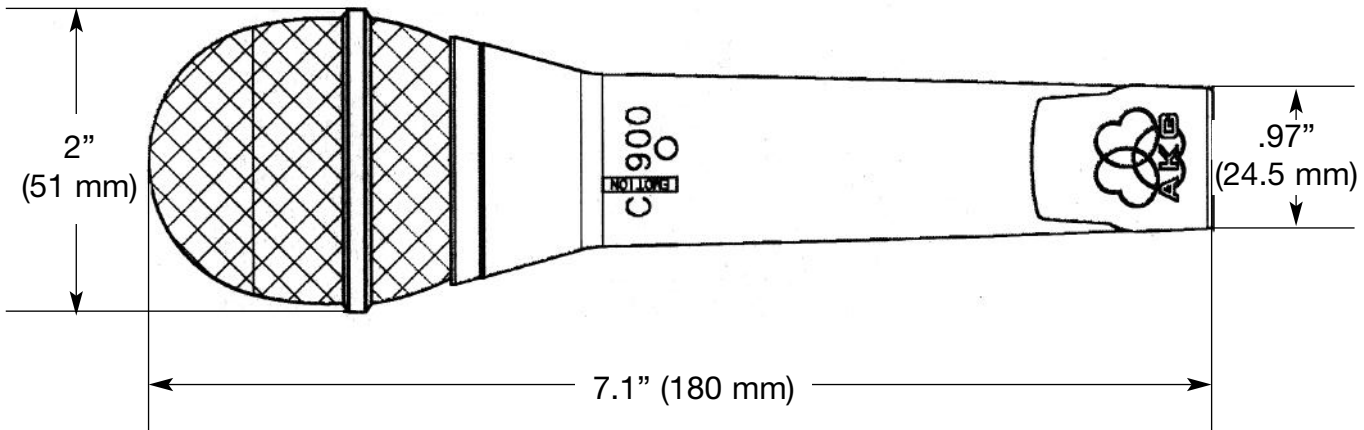
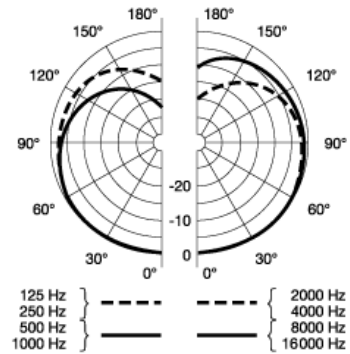
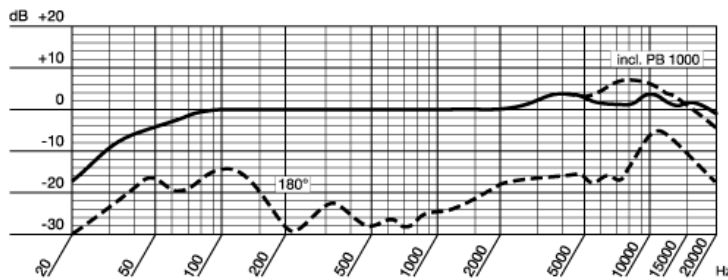
- Patented frequency independent cardioid capsule for increased feedback immunity
- Presence boost adapter provides +3 to 4 dB boost above 5 kHz
- Ideal for use with in-the-ear monitoring systems
- Internal elastic suspension system for reduced handling noise
- Light-weight die cast metal body with soft touch finish and gold trim
- Gold plated capsule housing and XLR connector for added reliability and protection against corrosion

Architects and Engineers Specifications

The microphone shall be a backplate condenser type with a cardioid pickup pattern. Sensitivity shall be no less than 6 mV/Pa, and the maximum operating level for 1% THD shall be no less than 139 dB SPL. The maximum diameter of the microphone shall be no greater than 2 in. and the microphone length shall be no greater than 7.1 inches. Microphone net weight shall be no greater than

10.4 ounces. The microphone shall operate on phantom powering over the range from 9 to 52 Vdc. The microphone shall provide a mechanical adapter to be applied to the capsule and producing a 2 to 4 dB rise in response above 5 kHz. The microphone shall be the AKG Acoustics Model C 900.

Graphical Data



Limited Warranty

Valid only in the United States. AKG Acoustics warrants AKG products against defects in material or workmanship for a period of two years from the date of original purchase for use, and agrees to repair or, at our option, replace any defective unit without charge for either parts or labor. Important: This warranty does not cover damage resulting from accident, misuse or abuse, lack of reasonable care, the affixing of any attachment not provided with the product, loss of parts or connecting the product to any but the specified receptacles. This warranty is void unless service or repairs are performed by an authorized service center. No responsibility is assumed for any special, incidental

or consequential damages. However, the limitation of any right or remedy shall not be effective where such is prohibited or restricted by law. Simply take or ship your AKG product prepaid to our service department. Be sure to include your sales slip as proof of purchase date. (We will not repair transit damage under the no-charge terms of this warranty.) Note: No other warranty, written or oral is authorized by AKG Acoustics, Inc. This warranty gives you specific legal rights, and you may also have other rights which vary from state to state. Some states do not allow the exclusion or limitation of incidental or consequential damages or limitation on how long an implied warranty lasts, so the above exclusions and limitation may not apply to you.

Microphones · Headphones · Wireless Microphones · Wireless Headphones · Headsets · Electroacoustical Components



H A Harman International Company

AKG Acoustics GmbH
Lemböckgasse 21-25, P.O.B. 158, A-1230
Vienna/AUSTRIA
Tel: (43 1) 86 654-0*, Fax: (43 1) 86 654-516
Internet: <http://www.akg.com>

AKG Acoustics; A Division of Harman Pro Germany
Bodenseestraße 228, D-81243 München/GERMANY
Tel: (089) 87 16-0, Fax: (089) 87 16-200

Arbiter Pro Audio
Wilberforce Road, London NW9 6AX/ENGLAND
Tel: (0181) 202 1199, Fax: (0181) 202 7076

AKG ACOUSTICS, U.S.
914 Airpark Center Drive
Nashville, TN 37217, U.S.A.
Tel: (615) 620-3800, Fax: (615) 620-3875

Studer Japan Ltd.
2-43-7, Uehara, Shibuya-ku, Tokyo 151-0064/JAPAN
Tel: (813) 3465-2211, Fax: (813) 3465-2214

Erikson Pro Audio
620 McCaffrey, St-Laurent, Quebec, H4T 1N1, CANADA
Tel: (514) 738-3000, Fax: (514) 737-5069
Internet: www.jam-ind.com/eriksonpro

Specifications subject to change without notice.

DS-C 900