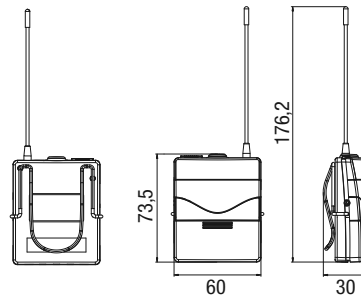


Conference  
Seminar  
House of worship / Church  
School  
Live Sound / Club Music



- Extremely light and compact bodypack transmitter
- Premium audio quality
- **Pilot Tone**
- Quick **setup via infrared** link of all frequency and setup data from receiver
- Long battery life - **most cost-efficient wireless system**
- Up to 50 mW RF-output power
- **14 hours battery life** (Lithium battery)
- Battery status information in hours
- Low battery data transmission to receiver

# PT 470

## PT 470 Bodypack Transmitter Specifications

<b>Carrier frequency range</b>	Band 1: 650 to 680 MHz	Band 6-A-ISM: 835.1 to 861.9 & 863.1 to 864.9 MHz
	Band 3: 720 to 750 MHz	Band 7: 500.1 to 530.5 MHz
	Band 3-K: 740.1 to 751.9 MHz	Band 8: 570.1 to 600.5 MHz
	Band 5-A: 790.1 to 819.9 MHz	Band 9: 600.1 to 605.9 & 614.1 to 630.5 MHz
	Band 5-B: 806.125 to 809.750 MHz	Band 9-U: 600.1 to 630.5 MHz
	Band 5-D: 794.1 to 805.9 MHz	Band M: 826.3 to 831.9 MHz
	Band D: 863.1 to 864.9 MHz	

<b>Switching bandwidth</b>	≤ 30.5 MHz (country dependent)
<b>RF output power</b>	10 or 50 mW (ERP, country dependent)
<b>Modulation</b>	Wideband FM
<b>Audio input</b>	TB3M / 3-pin mini-XLR socket (max. 2.5 Vrms)
<b>Audio bandwidth</b>	35 – 20 000 Hz (± 3 dB)
<b>T.H.D.</b>	≤ 0.7 %
<b>SNR (A-weighted)</b>	> 120 dB(A)
<b>Battery life</b>	≥ 7 hours with <b>one</b> 1.5 V LR6 AA alkaline battery ≥ 8 hours with <b>one</b> 1.2 V HR6 AA rechargeable battery (min. 2100 mAh) ≥ 14 hours with <b>one</b> 1.5 V FR6 AA lithium battery

<b>Dimensions</b>	60 mm (2.4 in.) × 73.5 mm (2.9 in.) x 30 mm (1.2 in.)
<b>Net / Shipping Weight</b>	90 g (3.2 oz.) without batteries
<b>Standard Accessories</b>	1 AA size LR6 batteries, belt clip

Item number: PT 470 3302H00..

### Available AKG Microphones:



### Architects' and Engineers' Specifications

The bodypack transmitter shall be housed in a miniature body and provide pilot tone and 1200 carrier frequencies that can be programmed via infrared within a 30 MHz wide subband. An LC display shall indicate the transmitter battery capacity in hours, as well as the frequency, frequency group, and preset name. An outside infrared sensor shall allow the frequency and input gain setting to be programmed, and a silent mode shall permit the transmitter to be used legally in R&TTE countries. The transmitter shall transmit low battery capacity and muting information to the receiver and use an integrated dipole transmitting antenna. The transmitter shall be available with an RF output of 10 mW or 50 mW (ERP). The transmitter shall provide a lockable on/mute/off switch with IR programming and silent mode functions. Charging contacts on the bottom panel shall allow the easy charging of a rechargeable battery inside the transmitter and a 2.5 mm jack shall allow an external mute switch to be connected. The audio bandwidth of the transmitter shall be 35 Hz to 20 kHz; S/N 120 dB(A); THD at 1 kHz < 0.7%. The input gain shall be adjustable by means of a special tool integrated in the battery compartment cover. The transmitter shall operate off one AA size LR6 dry battery for >7 hours, up to 8 hours off one AA size NiMH rechargeable battery and up to 14 hours off one AA size FR6 lithium battery. The bodypack transmitter shall measure 60 x 73.5 x 30 mm and weigh 90 g. The bodypack transmitter shall be the AKG PT 470 or equivalent.