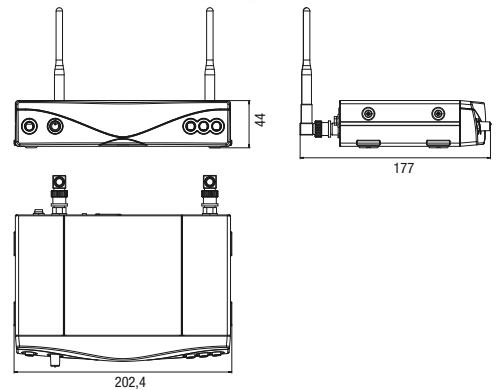


Live Sound
Conference
Seminar
School
Church / House of worship



- 30 MHz tuning range
- Half 19" all metal case diversity receiver
- Automatic setup function for quick and easy operation
- 12 pre-programmed frequencies per group
- Infrared link of all frequency and setup data to the transmitter
- Transmitter battery status monitoring
- Programmable warning functions using a two-color display backlighting to indicate critical operation conditions (low battery, audio peak, RF low)
- Compatible with WMS 4500 antenna splitters, power supplies, and high quality directional and omni-directional antennas



SR 450

SR 450 Receiver Specifications

Carrier frequency range	Band 7: 500 to 530 MHz (complies with new US regulation), Band 8: 570 to 600 MHz (complies with new US regulation), Band 1: 650 to 680 MHz (complies with new US regulation), Band 2: 680 to 710 MHz, Band 3: 720 to 750 MHz, Band 5: 790 to 820 MHz, Band 6: 835 to 865 MHz
Switching bandwidth	≤ 30 MHz (country dependent)
Sensitivity	7 dBμV / -100 dBm
Diversity System	Microprocessor-controlled diversity
Modulation	Wideband FM
Audio bandwidth	35 – 20 000 Hz (± 3 dB)
T.H.D.	≤ 0.3 %
SNR (A-weighted)	typ. 120 dB(A)
Audio outputs	1 x XLR sockets balanced 1 x TS 1/4" / 6.3 mm jack sockets unbalanced
Dimensions	1/2 19 inch 1U rack, 202 mm (7.8 in.) × 44 mm (1.7 in.) × 190 mm (7.4 in.)
Net / Shipping Weight	972 g (2.2 lbs.)
Standard Accessories	2 UHF antennas, power supply, rack mount kit

Item number: SR 450 3230H00..

Architects' and Engineers' Specifications

The receiver shall be a stationary diversity design with 1200 carrier frequencies that can be programmed within a 30 MHz wide subband and a rugged half-rack case with backlit liquid crystal color display. The receiver shall provide indicators for audio and RF levels; diversity mode (A/B); transmitter battery status; name, frequency, frequency group, and preset (country) name. The color of the backlighting shall change between green and red to indicate normal operation or display user-selectable warning messages (low battery capacity, audio level, RF level, etc.). The receiver shall select intermodulation-free frequencies automatically from an integrated frequency database arranged by local frequency allocations and provide an automatic function for finding dead spots. An infrared radiator shall transmit setup parameter data to the transmitter. Rear panel BNC sockets shall allow either the supplied antennas or a complex antenna network to be connected to the receiver. The squelch threshold shall be adjustable between -70 and -100 dBm. The receiver's audio bandwidth shall be 35 Hz to 20 kHz; S/N 120 dB(A); THD <0.3% at 1 kHz. Audio outputs shall comprise a balanced 3-pin XLR output switchable to -30 dB or 0 dB and an unbalanced 1/4" TS jack. The receiver shall provide a lockable DC input for the supplied 12 V DC power supply. The receiver shall measure 200 x 44 x 190 mm (W x D x H) and weigh 972 g. The receiver shall be the AKG SR 450 or equivalent.