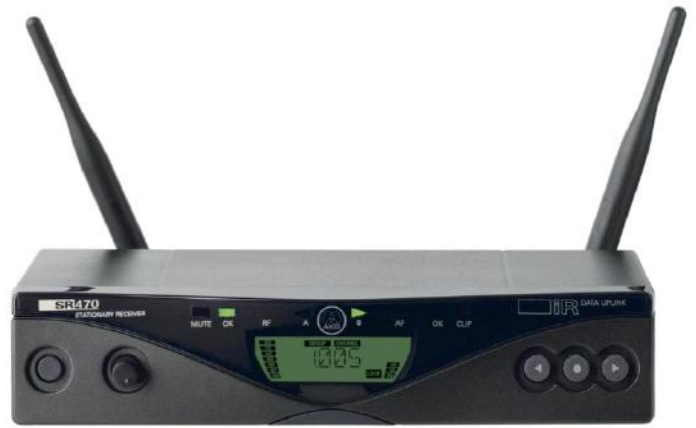
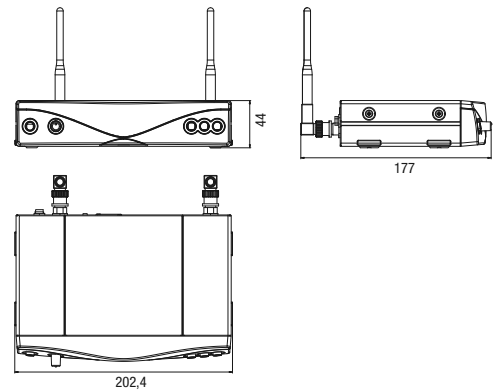


Conference
Seminar
House of Worship / Church
School
Live Sound / Club Music



- 30.5 MHz tuning range
- Half 19" all metal case diversity receiver
- **Automatic setup function** designed for less experienced operators
- Up to **16 pre-programmed frequencies** per group
- **Pilot Tone** prevents unexpected start-up noise
- Infrared link of all frequency and setup data to the transmitter
- Transmitter battery status monitoring
- Programmable warning functions using a two-color display backlighting to indicate critical operation conditions (low battery, audio peak, RF low)
- Compatible with WMS 4500 antenna splitters, power supplies, and high quality directional and omni-directional antennas



SR 470

SR 470 Receiver Specifications

Carrier frequency range	Band 1: 650 to 680 MHz Band 3: 720 to 750 MHz Band 3-K: 740.1 to 751.9 MHz Band 5-A: 790.1 to 819.9 MHz Band 5-B: 806.125 to 809.750 MHz Band 5-D: 794.1 to 805.9 MHz	Band 6-A-ISM: 835.1 to 861.9 & 863.1 to 864.9 MHz Band 7: 500.1 to 530.5 MHz Band 8: 570.1 to 600.5 MHz Band 9: 600.1 to 605.9 & 614.1 to 630.5 MHz Band 9-U: 600.1 to 630.5 MHz Band M: 826.3 to 831.9 MHz Band D: 863.1 to 864.9 MHz
Switching bandwidth	≤ 30.5 MHz (country dependent)	
Sensitivity	6.3 dBμV / -100 dBm	
Diversity System	Microprocessor-controlled diversity	
Modulation	Wideband FM	
Audio bandwidth	35 – 20 000 Hz (± 3 dB)	
T.H.D.	≤ 0.3 %	
SNR (A-weighted)	typ. 120 dB(A)	
Audio outputs	1 x XLR sockets balanced 1 x TS 1/4" / 6.3 mm jack sockets unbalanced	
Dimensions	1/2 19 inch 1U rack, 202 mm (7.8 in.) × 44 mm (1.7 in.) × 190 mm (7.4 in.)	
Net / Shipping Weight	972 g (2.2 lbs.)	
Standard Accessories	2 UHF antennas, power supply, rack mount kit	

Item number: SR 470 3300H00..

Architects' and Engineers' Specifications

The receiver shall be a stationary diversity design with pilot tone, 1200 carrier frequencies that can be programmed within a 30 MHz wide subband and a rugged half-rack case with backlit liquid crystal color display. The receiver shall provide indicators for audio and RF levels; diversity mode (A/B); transmitter battery status; name, frequency, frequency group, and preset (country) name. The color of the backlighting shall change between green and red to indicate normal operation or display user-selectable warning messages (low battery capacity, audio level, RF level, etc.). The receiver shall select intermodulation-free frequencies automatically from an integrated frequency database arranged by local frequency allocations and provide an automatic function for finding dead spots. An infrared radiator shall transmit setup parameter data to the transmitter. Rear panel BNC sockets shall allow either the supplied antennas or a complex antenna network to be connected to the receiver. The squelch threshold shall be adjustable between -80 and -100 dBm. The receiver's audio bandwidth shall be 35 Hz to 20 kHz; S/N 120 dB(A); THD <0.3% at 1 kHz. Audio outputs shall comprise a balanced 3-pin XLR output switchable to -30 dB or 0 dB and an unbalanced 1/4" TS jack. The receiver shall provide a lockable DC input for the supplied 12 V DC power supply. The receiver shall measure 200 x 44 x 190 mm (W x D x H) and weigh 972 g. The receiver shall be the AKG SR 470 or equivalent.