

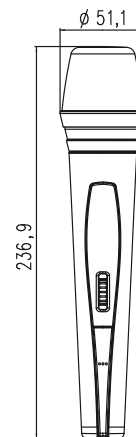


AKG WMS 470 Vocal Set D 5



Conference
Seminar
House of Worship / Church
School
Live Sound / Club Music

- Available with D 5 or C 5 high quality microphone element
- Premium audio quality
- **Pilot Tone**
- Quick **setup via infrared** data link of all frequency and setup data from receiver
- Long battery life - **most cost-efficient wireless systems**
- Up to 50 mW RF-output power
- **14 hours battery life** (Lithium battery)
- Battery status information in hours
- Low battery data transmission to receiver



HT 470

HT 470 Handheld Transmitter Specifications

Carrier frequency range	Band 1: 650 to 680 MHz	Band 6-A-ISM: 835.1 to 861.9 & 863.1 to 864.9 MHz
	Band 3: 720 to 750 MHz	Band 7: 500.1 to 530.5 MHz
	Band 3-K: 740.1 to 751.9 MHz	Band 8: 570.1 to 600.5 MHz
	Band 5-A: 790.1 to 819.9 MHz	Band 9: 600.1 to 605.9 & 614.1 to 630.5 MHz
	Band 5-B: 806.125 to 809.750 MHz	Band 9-U: 600.1 to 630.5 MHz
	Band 5-D: 794.1 to 805.9 MHz	
	Switching bandwidth	≤ 30.5 MHz (country dependent)
RF output power	10 or 50 mW (ERP, country dependent)	
Modulation / Bandwidth	Wideband FM	
Microphone capsules	D 5 – dynamic (super cardioid)	
	C 5 – condenser (cardioid)	
Max. SPL	≤ 144 dB SPL	
Audio bandwidth	35 – 20 000 Hz (± 3 dB)	
T.H.D.	≤ 0.7 %	
SNR (A-weighted)	> 120 dB(A)	
Battery life	≥ 7 hours with one 1.5 V LR6 AA alkaline battery	
	≥ 8 hours with one 1.2 V HR6 AA rechargeable battery (min. 2100 mAh)	
	≥ 14 hours with one 1.5 V FR6 AA lithium battery	
Dimensions	237 mm (9.3 in.) length, 51 mm (2 in.) dia.	
Net / Shipping Weight	240 g (8.5 oz.) without batteries	
Standard Accessories	1 x AA size LR6 battery, stand adapter, windscreen	
	Item number:	HT 470 D 5 3301X00.. HT 470 C 5 3301X00..

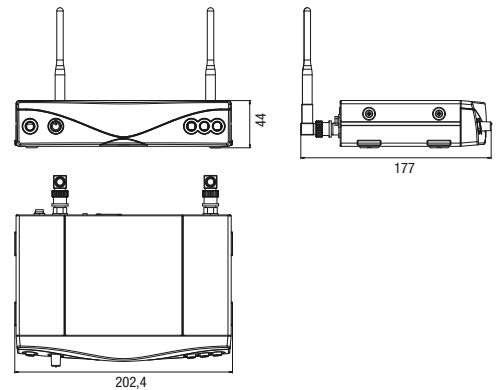
Architects' and Engineers' Specifications

The handheld transmitter shall be housed in a miniature body and provide pilot tone, 1200 carrier frequencies that can be programmed via infrared within a 30 MHz wide subband. An LC display shall indicate the transmitter battery capacity in hours, as well as the frequency, frequency group, and preset name. An outside infrared sensor shall allow the frequency and input gain setting to be programmed, and a silent mode shall permit the transmitter to be used legally in R&TTE countries. The transmitter shall transmit low battery capacity and muting information to the receiver and use an integrated dipole transmitting antenna. The transmitter shall be available with an RF output of 10 mW or 50 mW (ERP). The transmitter shall provide a central on/mute/off switch with IR programming and silent mode functions. Charging contacts on the bottom panel shall allow the easy charging of a rechargeable battery inside the transmitter. The audio bandwidth of the transmitter shall be 35 Hz to 20 kHz; S/N 120 dB(A); THD at 1 kHz <0.7%. The transmitter shall operate off one AA size dry battery for >7 hours, up to 8 hours off one AA size NiMH rechargeable battery and up to 14 hours off one AA size FR6 lithium battery. The handheld transmitter shall measure 236.9 mm long x 51.1 mm max. dia. and weigh 240 g. An stand adapter shall be included as a standard accessory. The handheld transmitter shall be the AKG HT 470 or equivalent.

Conference
Seminar
House of Worship / Church
School
Live Sound / Club Music



- 30.5 MHz tuning range
- Half 19" all metal case diversity receiver
- **Automatic setup function** designed for less experienced operators
- Up to **16 pre-programmed frequencies** per group
- **Pilot Tone** prevents unexpected start-up noise
- Infrared link of all frequency and setup data to the transmitter
- Transmitter battery status monitoring
- Programmable warning functions using a two-color display backlighting to indicate critical operation conditions (low battery, audio peak, RF low)
- Compatible with WMS 4500 antenna splitters, power supplies, and high quality directional and omni-directional antennas



SR 470

SR 470 Receiver Specifications

Carrier frequency range	Band 1: 650 to 680 MHz	Band 6-A-ISM: 835.1 to 861.9 & 863.1 to 864.9 MHz
	Band 3: 720 to 750 MHz	Band 7: 500.1 to 530.5 MHz
	Band 3-K: 740.1 to 751.9 MHz	Band 8: 570.1 to 600.5 MHz
	Band 5-A: 790.1 to 819.9 MHz	Band 9: 600.1 to 605.9 & 614.1 to 630.5 MHz
	Band 5-B: 806.125 to 809.750 MHz	Band 9-U: 600.1 to 630.5 MHz
	Band 5-D: 794.1 to 805.9 MHz	
Switching bandwidth	≤ 30.5 MHz (country dependent)	
Sensitivity	6.3 dBμV / -100 dBm	
Diversity System	Microprocessor-controlled diversity	
Modulation	Wideband FM	
Audio bandwidth	35 – 20 000 Hz (± 3 dB)	
T.H.D.	≤ 0.3 %	
SNR (A-weighted)	typ. 120 dB(A)	
Audio outputs	1 x XLR sockets balanced	
	1 x TS 1/4" / 6.3 mm jack sockets unbalanced	
Dimensions	1/2 19 inch 1U rack, 202 mm (7.8 in.) × 44 mm (1.7 in.) × 190 mm (7.4 in.)	
Net / Shipping Weight	972 g (2.2 lbs.)	
Standard Accessories	2 UHF antennas, power supply, rack mount kit	

Item number: SR 470 3300H00..

Architects' and Engineers' Specifications

The receiver shall be a stationary diversity design with pilot tone, 1200 carrier frequencies that can be programmed within a 30 MHz wide subband and a rugged half-rack case with backlit liquid crystal color display. The receiver shall provide indicators for audio and RF levels; diversity mode (A/B); transmitter battery status; name, frequency, frequency group, and preset (country) name. The color of the backlighting shall change between green and red to indicate normal operation or display user-selectable warning messages (low battery capacity, audio level, RF level, etc.). The receiver shall select intermodulation-free frequencies automatically from an integrated frequency database arranged by local frequency allocations and provide an automatic function for finding dead spots. An infrared radiator shall transmit setup parameter data to the transmitter. Rear panel BNC sockets shall allow either the supplied antennas or a complex antenna network to be connected to the receiver. The squelch threshold shall be adjustable between -80 and -100 dBm. The receiver's audio bandwidth shall be 35 Hz to 20 kHz; S/N 120 dB(A); THD <0.3% at 1 kHz. Audio outputs shall comprise a balanced 3-pin XLR output switchable to -30 dB or 0 dB and an unbalanced 1/4" TS jack. The receiver shall provide a lockable DC input for the supplied 12 V DC power supply. The receiver shall measure 200 x 44 x 190 mm (W x D x H) and weigh 972 g. The receiver shall be the AKG SR 470 or equivalent.