

# LA1-UW24-x Column Loudspeakers

www.boschsecurity.com



**BOSCH**  
Invented for life



- ▶ Good speech intelligibility and background music reproduction
- ▶ For applications where directivity is important
- ▶ High sensitivity
- ▶ Swivel wall-mounting bracket supplied as standard
- ▶ Available in black or white

The LA1-UW24-x is a 24 W, general-purpose, cost-effective column loudspeaker for indoor use where beaming is desirable, such as places of worship, conference venues, meeting rooms, and canteens. A swivel wall-mounting bracket is supplied as standard. The column loudspeaker is available in black and white.

## Functions

The robust, solid MDF (Medium Density Fiber board) enclosures are covered with a durable, easy-to-clean vinyl in a choice of black or white. The ABS fronts are covered with fine woven cloth in matching color. These powerful column loudspeakers are fitted with four dual-cone, high-sensitivity, loudspeaker drivers.

## Certifications and approvals

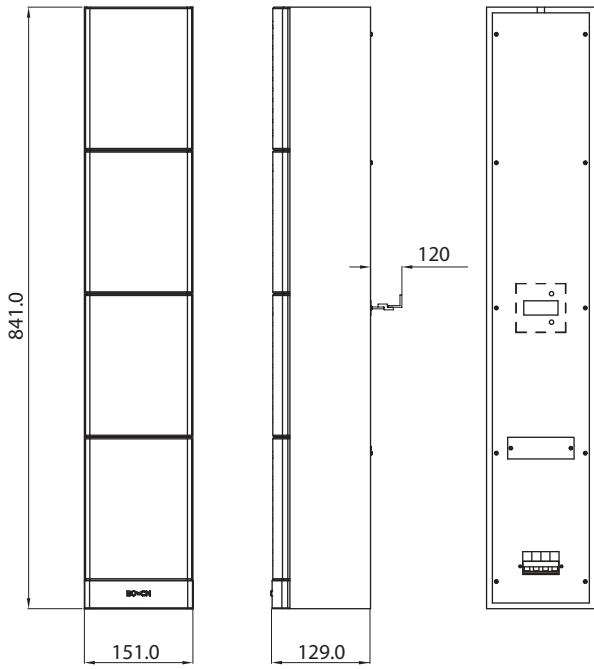
All Bosch loudspeakers are designed to withstand operating at their rated power for 100 hours in accordance with IEC 268-5 Power Handling Capacity (PHC) standards. Bosch has also developed the Simulated Acoustical Feedback Exposure (SAFE) test to demonstrate that they can withstand two times their rated power for short durations. This ensures extra reliability under extreme conditions, leading to higher customer satisfaction, longer operating life, and much less chance of failure or performance deterioration.

Safety

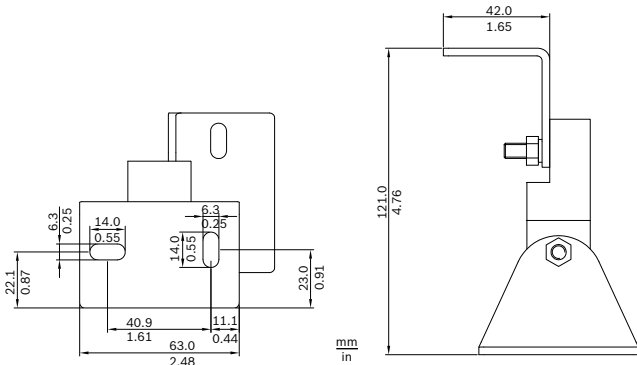
acc. to EN 60065

## Installation/configuration notes

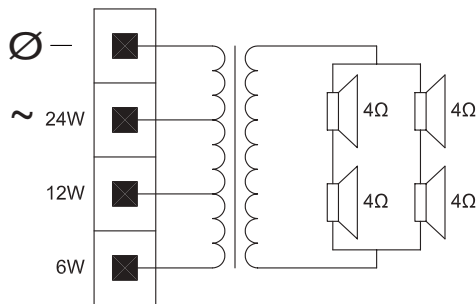
The column loudspeakers can be wall mounted using the supplied swivel bracket, allowing accurate positioning. A convenient, easy-to-use, four-pole push-in terminal block is present on the rear panel for on-site wiring. This terminal block has provision for power tapping on the 100 V, matching transformer in the cabinet. It allows selection of nominal full-power, half-power or quarter-power radiation (in 3 dB steps).



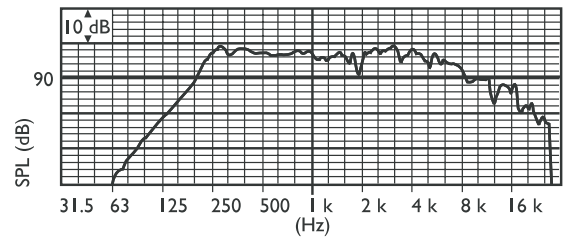
Dimensions in mm



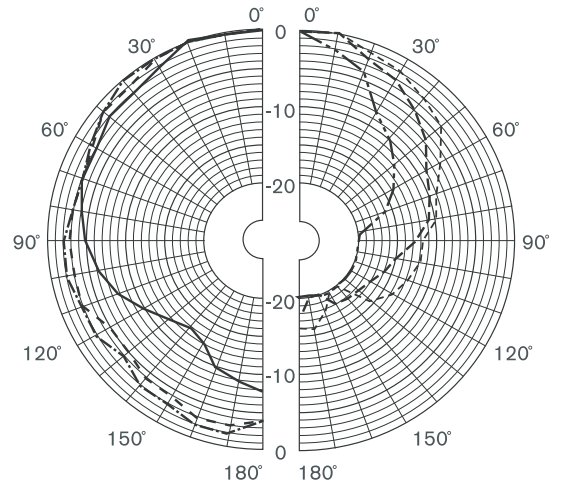
Bracket dimensions



Circuit diagram

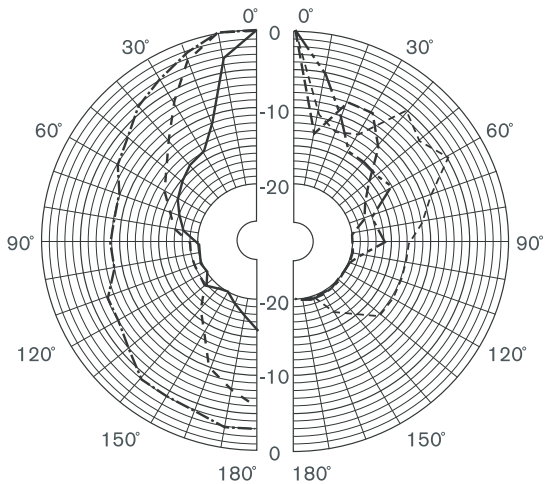


Frequency response



- 250 Hz
- - - 500 Hz
- 1000 Hz
- 2000 Hz
- - - 4000 Hz
- 8000 Hz

Polar diagram horizontal (measured with pink noise)



- 250 Hz
- - - 500 Hz
- 1000 Hz
- 2000 Hz
- - - 4000 Hz
- 8000 Hz

*Polar diagram vertical (measured with pink noise)*

### Parts included

Quantity	Component
1	LA1-UW24-x Column Loudspeaker
1	Swivel wall mounting bracket

### Technical specifications

#### Electrical\*

Maximum power	36 W
Rated power	24 / 12 / 6 W
Sound pressure level at 24 W / 1 W (1 kHz, 1 m)	110 dB / 96 dB (SPL)
Effective frequency range (-10 dB)	165 Hz to 16 kHz
Opening angle	1 kHz / 4 kHz (-6 dB)
horizontal	190° / 88°
vertical	30° / 8°
Rated input voltage	100 V
Rated impedance	417 ohm
Connector	4-pole push-in terminal block

\* Technical performance data acc. to IEC 60268-5

#### Mechanical

Dimensions (H x W x D)	841x 151 x 129 mm (33.1 x 5.9 x 5.1 in)
Weight	5.5 kg ( 12.1 lb)
Color	Black (D) or white (L)
cabinet / cloth (D)	Matches RAL 9004 / RAL 9004
cabinet / cloth (L)	Matches RAL 9010 / RAL 7044

#### Environmental

Operating temperature	-25 °C to +55°C (-13 °F to +131 °F)
Storage temperature	-40 °C to +70 °C (-40 °F to +158 °F)
Relative humidity	<95%

### Ordering information

#### LA1-UW24-D Column Loudspeaker

Column loudspeaker 24 W, MDF enclosure with fine-woven cloth fronts, finished in black, supplied with a swivel wall-mounting bracket.

Order number **LA1-UW24-D**

#### LA1-UW24-L Column Loudspeaker

Column loudspeaker 24 W, MDF enclosure with fine-woven cloth fronts, finished in white, supplied with a swivel wall mounting bracket.

Order number **LA1-UW24-L**

**Represented by:**

**Americas:**

Bosch Security Systems, Inc.  
12000 Portland Avenue South  
Burnsville MN 55337, USA  
Phone: +1-800-392-3497  
Fax: +1-800-955-6831  
audiosupport@us.bosch.com  
www.boschsecurity.com

**Europe, Middle East, Africa:**

Bosch Security Systems B.V.  
P.O. Box 80002  
5617 BA Eindhoven, The Netherlands  
Phone: + 31 40 2577 284  
Fax: +31 40 2577 330  
emea.securitysystems@bosch.com  
www.boschsecurity.com

**Asia-Pacific:**

Robert Bosch (SEA) Pte Ltd, Security  
Systems  
11 Bishan Street 21  
Singapore 573943  
Phone: +65 6571 2808  
Fax: +65 6571 2699  
apr.securitysystems@bosch.com  
www.boschsecurity.asia

**China:**

Bosch (Shanghai) Security Systems Ltd.  
201 Building, No. 333 Fuquan Road  
North IBP  
Changning District, Shanghai  
200335 China  
Phone +86 21 22181111  
Fax: +86 21 22182398  
www.boschsecurity.com.cn

**America Latina:**

Robert Bosch Ltda Security Systems Division  
Via Anhanguera, Km 98  
CEP 13065-900  
Campinas, Sao Paulo, Brazil  
Phone: +55 19 2103 2860  
Fax: +55 19 2103 2862  
latam.boschsecurity@bosch.com  
www.boschsecurity.com