

LBB1950/10 Table-top microphone

www.boschsecurity.com



BOSCH
Invented for life



- ▶ Stylish tabletop unidirectional condenser microphone on a flexible stem
- ▶ Phantom powered by amplifier
- ▶ Momentary or toggle PTT-key for calls with priority contact
- ▶ Green LED, indicating microphone active
- ▶ Stable metal base design with fixed 2 m cable and lockable DIN connector

The Plena tabletop microphone is a stylish, high-quality tabletop unidirectional condenser microphone, mainly intended for making calls in a public address system. Its heavy metal base and rubber feet ensure stability on any flat surface. The special design also allows the unit to be neatly flush-mounted in desktops.

Functions

The PTT-key (press-to-talk), not only switches on the microphone, but also provides priority contacts, that are compatible with the Plena range of amplifiers. The switching characteristic of the PTT-key can be configured internally for PTT-mode (on as long as pressed) or toggle-mode (press to switch on, press again to switch off).

The microphone is equipped with a fixed, flexible 2 m cable and a 5-pin DIN connector for the balanced signal and the priority contacts. If the priority contacts are not required, the microphone can be connected to amplifiers with 3-pin XLR-inputs, using the DIN to XLR adapter.

A green LED indicates when the microphone is active.

Controls and indicators

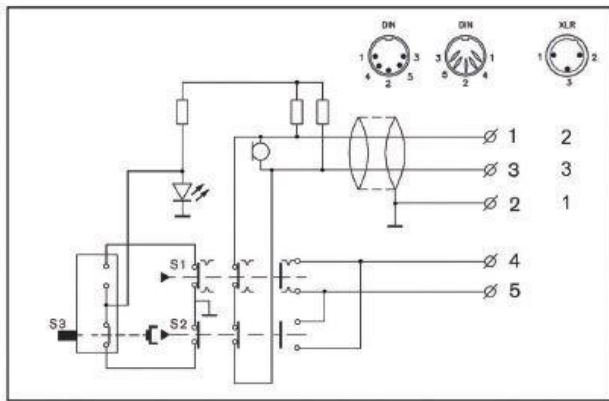
- PTT-key
- PTT status LED

Certifications and approvals

Safety	acc. to EN 60065
Immunity	acc. to EN 55103-2
Emission	acc. to EN 55103-1

Region	Regulatory compliance/quality marks
Europe	CE

Installation/configuration notes



Circuit diagram

Parts included

Quantity	Component
1	LBB 1950/10 PLENA Tabletop Unidirectional Condenser Microphone
1	DIN to XLR adapter

Technical specifications

Electrical

Phantom power supply	
Voltage range	12 to 48 V
Current consumption	<8 mA
Performance	
Sensitivity	0.7 mV @ 85 dB SPL (2 mV/Pa)
Maximum input sound level	110 dB SPL
Distortion	<0.6% (maximum input)
Input noise level (equiv.)	28 dB SPLA (S/N 66 dBA ref. 1 Pa)
Frequency response	100 Hz to 16 kHz
Output impedance	200 ohm

Mechanical

Base dimensions (H x W x D)	40 x 100 x 235 mm (1.57 x 3.97 x 9.25 in)
Weight	Approx. 1 kg (2.2 lb)
Color	Charcoal with silver
Stem length with mic	390 mm (15.35 in)
Cable length	2 m (6.56 ft)

Environmental

Operating temperature	-10 °C to +55 °C (14 °F to +131 °F)
Storage and transport temperature	-40 °C to +70 °C (-40 °F to +158 °F)
Relative humidity	<95%

Ordering information

Table-top microphone

Tabletop unidirectional condenser microphone on a flexible stem.

Order number **LBB1950/10**

Accessories

Microphone cable, 4-core, 100m

Microphone cable for permanent installations, black, 2 + 2 core screened cables (4 x 0.14 mm²), suitable for microphone connections with remote control or priority functions, length 100 m.

Order number **LBC1081/00**

Represented by:

Europe, Middle East, Africa:
Bosch Security Systems B.V.
P.O. Box 80002
5600 JB Eindhoven, The Netherlands
Phone: + 31 40 2577 284
emea.securitysystems@bosch.com
emea.boschsecurity.com

Germany:
Bosch Sicherheitssysteme GmbH
Robert-Bosch-Ring 5
85630 Grasbrunn
Germany
www.boschsecurity.com

North America:
Bosch Security Systems, Inc.
130 Perinton Parkway
Fairport, New York, 14450, USA
Phone: +1 800 289 0096
Fax: +1 585 223 9180
onlinehelp@us.bosch.com
www.boschsecurity.us

Asia-Pacific:
Robert Bosch (SEA) Pte Ltd, Security Systems
11 Bishan Street 21
Singapore 573943
Phone: +65 6571 2808
Fax: +65 6571 2699
apr.securitysystems@bosch.com
www.boschsecurity.asia