

Plena Table-top Microphone

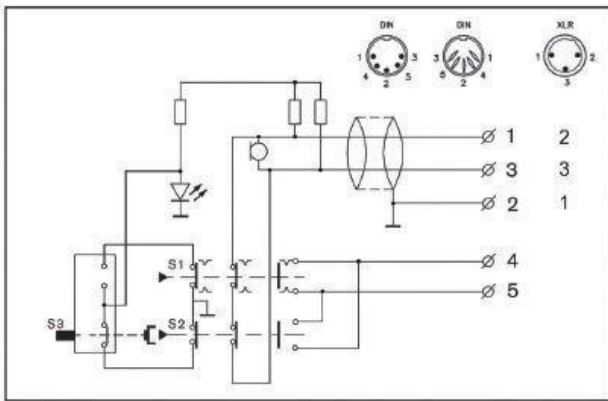


Security Systems

en | Quick Reference Card
LBB 1950/10

BOSCH

Installation/Configuration Notes



Circuit diagram

Parts Included

Quantity	Component
1	LBB 1950/10 PLENA Tabletop Unidirectional Condenser Microphone
1	DIN to XLR adapter

Technical Specifications

Electrical

Phantom power supply	
Voltage range	12 to 48 V
Current consumption	<8 mA
Performance	
Sensitivity	0.7 mV @ 85 dB SPL (2 mV/Pa)
Maximum input sound level	110 dB SPL
Distortion	<0.6% (maximum input)
Input noise level (equiv.)	28 dB SPLA (S/N 66 dBA ref. 1 Pa)
Frequency response	100 Hz to 16 kHz
Output impedance	200 ohm

Mechanical

Base dimensions (H x W x D)	40 x 100 x 235 mm (1.57 x 3.97 x 9.25 in)
Weight	Approx. 1 kg (2.2 lb)
Color	Charcoal with silver
Stem length with mic	390 mm (15.35 in)
Cable length	2 m (6.56 ft)

Environmental

Operating temperature	-10 °C to +55 °C (14 °F to +131 °F)
Storage temperature	-40 °C to +70 °C (-40 °F to +158 °F)
Relative humidity	<95%

Ordering Information

LBB 1950/10 Plena Tabletop Unidirectional Condenser Microphone

tabletop unidirectional condenser microphone on a flexible stem.

Order number **LBB1950/10**

Accessories

LBC 1102/02 Cable Transformer

for galvanic separation

Order number **LBC1102/02**

LBC 1080/00 Microphone Cable

length 100 m; 2 x 0.13 mm²

Order number **LBC1080/00**

LBC 1082/00 Microphone Cable

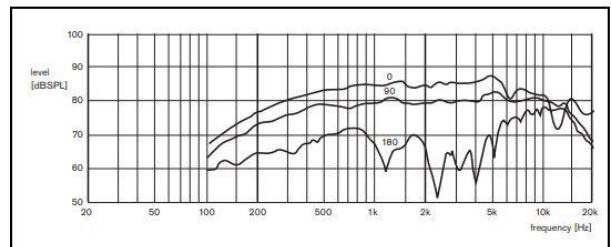
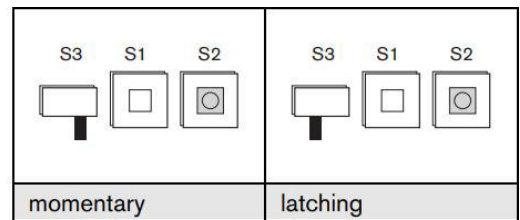
length 100 m; 2 x 0.75 mm²

Order number **LBC1082/00**

LBC 1081/00 Microphone Cable

length 100 m; 4 x 0.14 mm²

Order number **LBC1081/00**



Bosch Security Systems B.V.

Torenallee 49

5617 BA Eindhoven

Netherlands

www.boschsecurity.com

© Bosch Security Systems B.V., 2017