

## Volume controls / Program selectors

LBC 14xx/x0, LM1-SMB-MK & LM1-SMB-U40



**BOSCH**

**en** Installation and User Instructions

# 1 Wiring

## 1.1 LBC140x/10, LBC141x/10, LBC1420/10

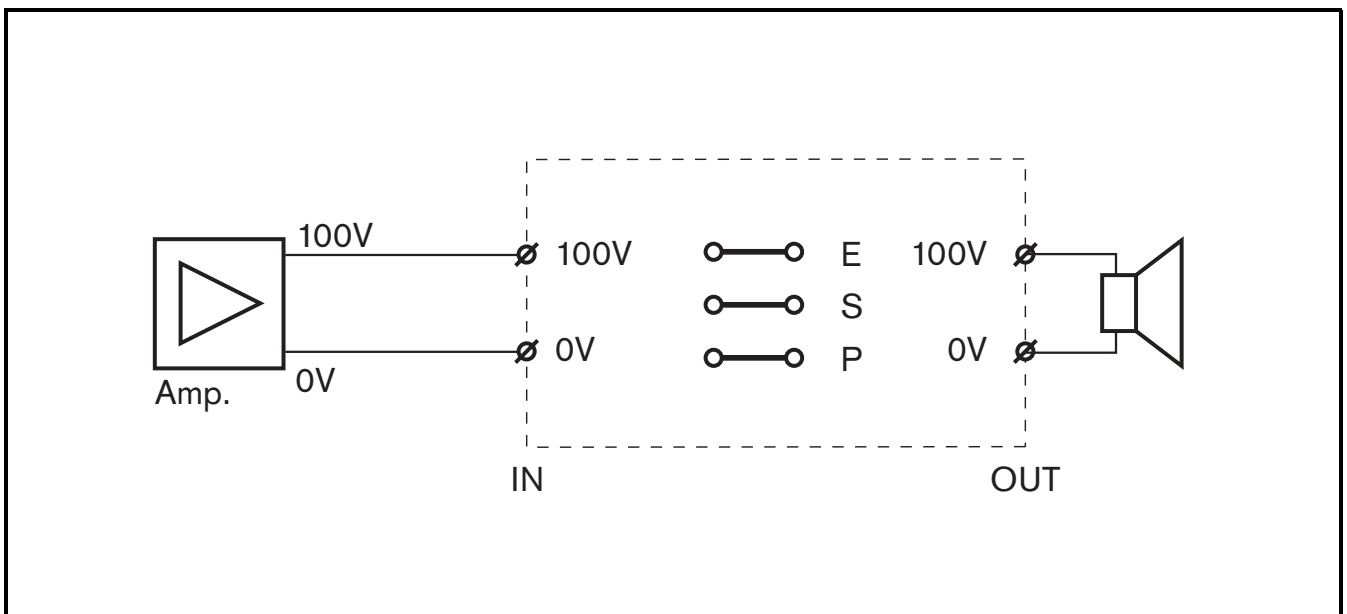


fig. 1.1: Standard system

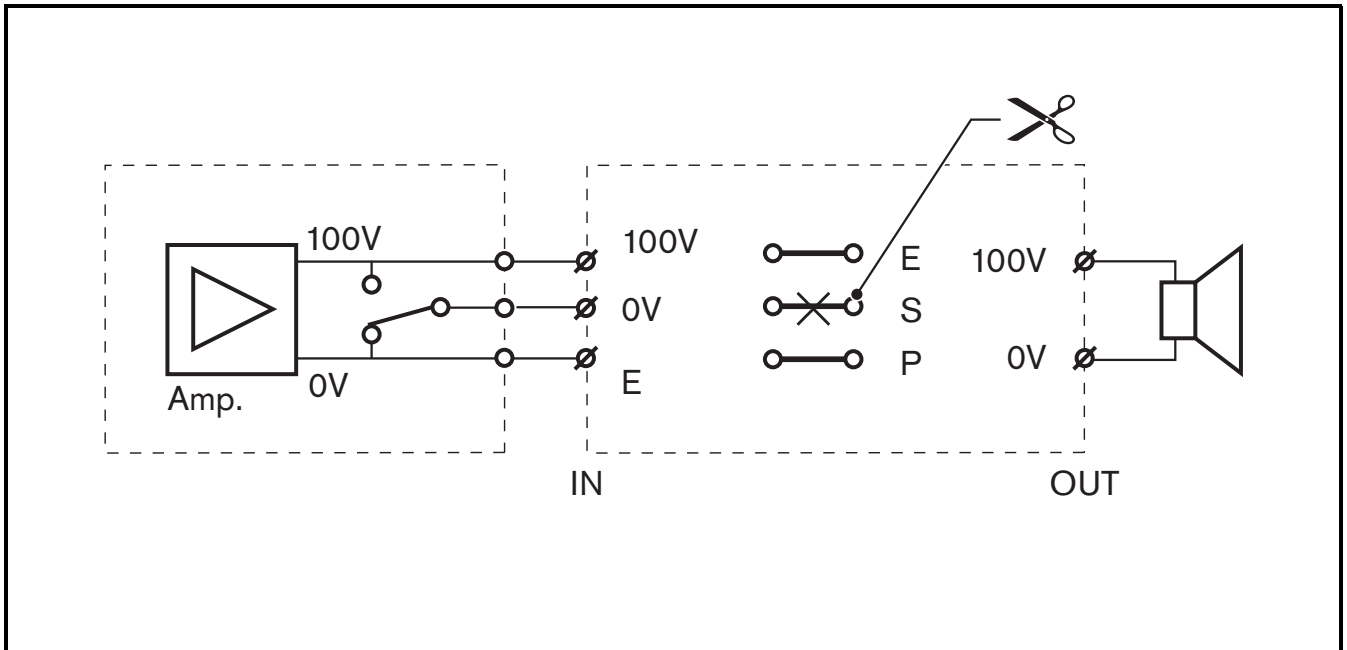


fig. 1.2: 3-wire volume override

### Emergency message from same amplifier

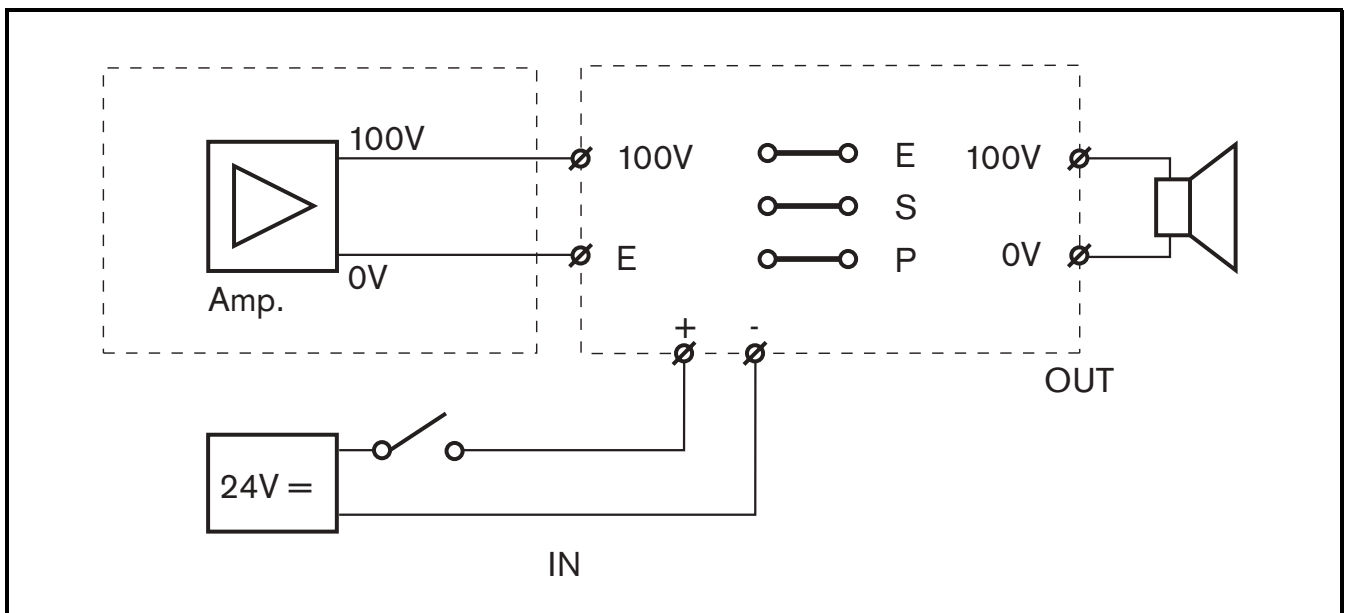


fig. 1.3:: 4-wire volume override

### Emergency message from amplifier #2:

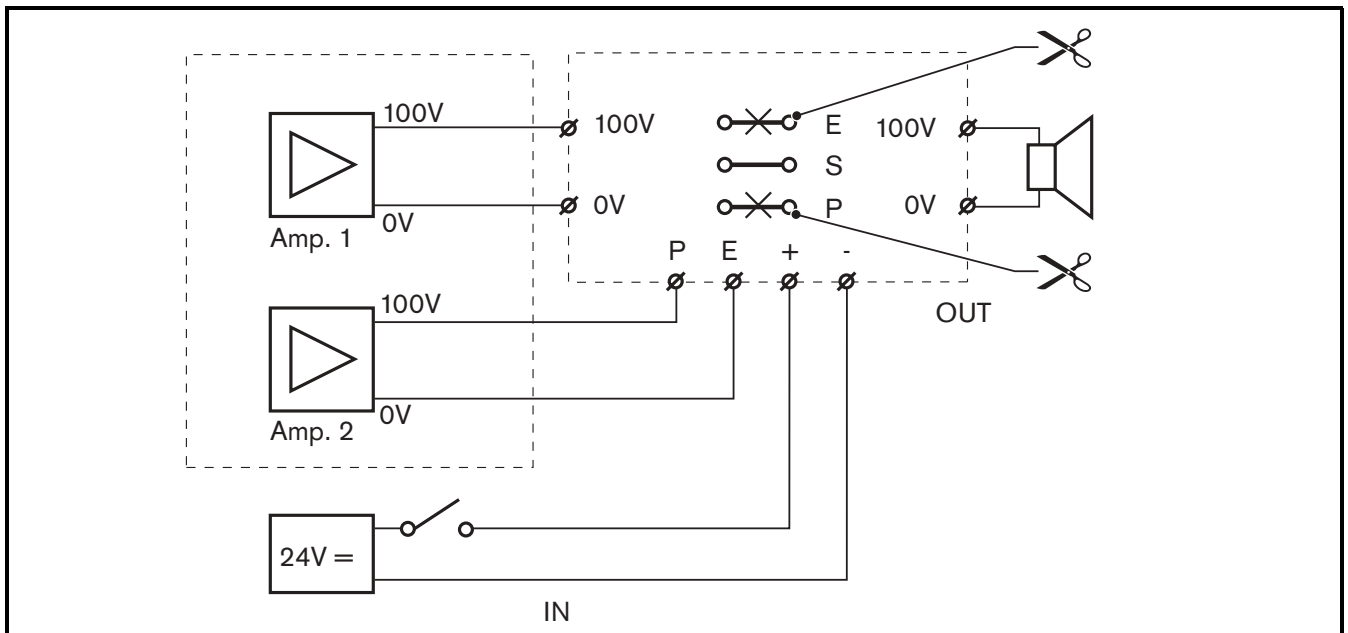


fig. 1.4: 4-wire volume override

## 1.2 LBC140x/20, LBC141x/20, LBC1420/20

Emergency message from same amplifier:

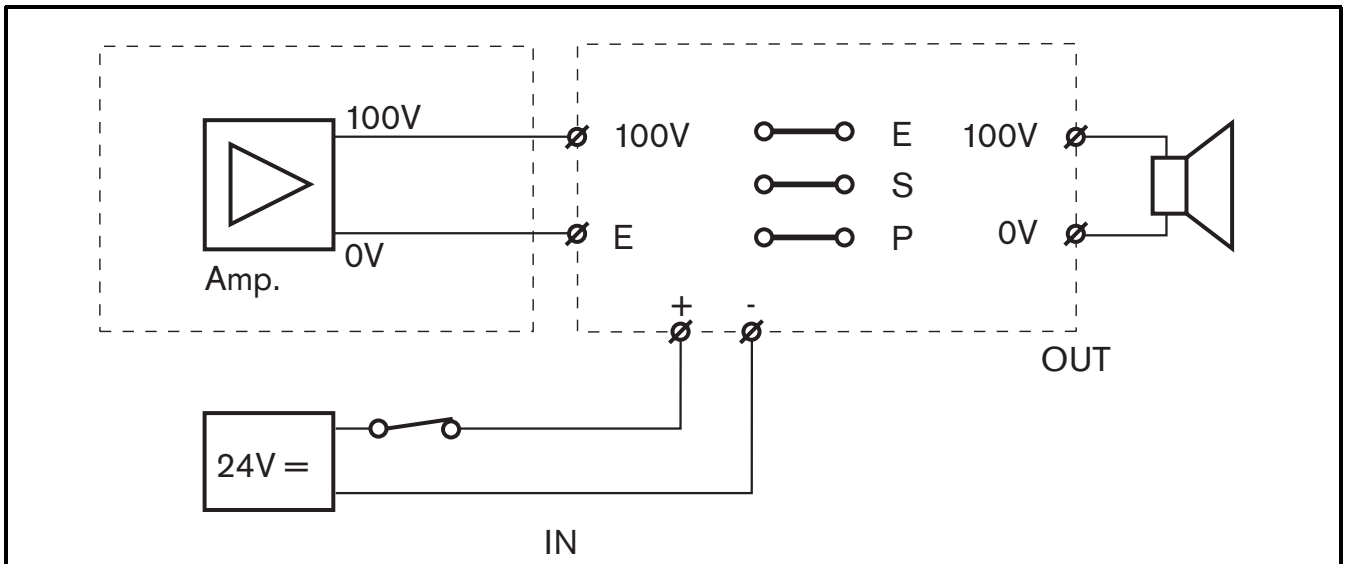


fig. 1.5: 4-wire volume override

Emergency message from amplifier #2:

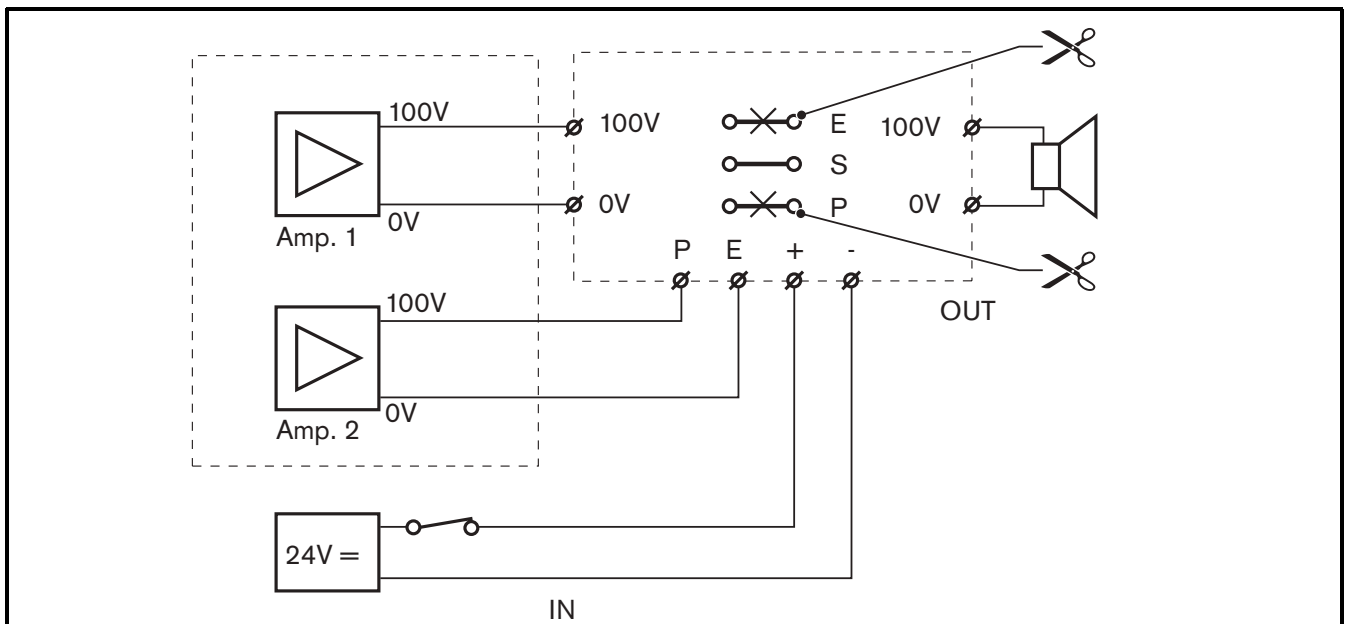


fig. 1.6: 4-wire volume override

### 1.3 LBC143x/10

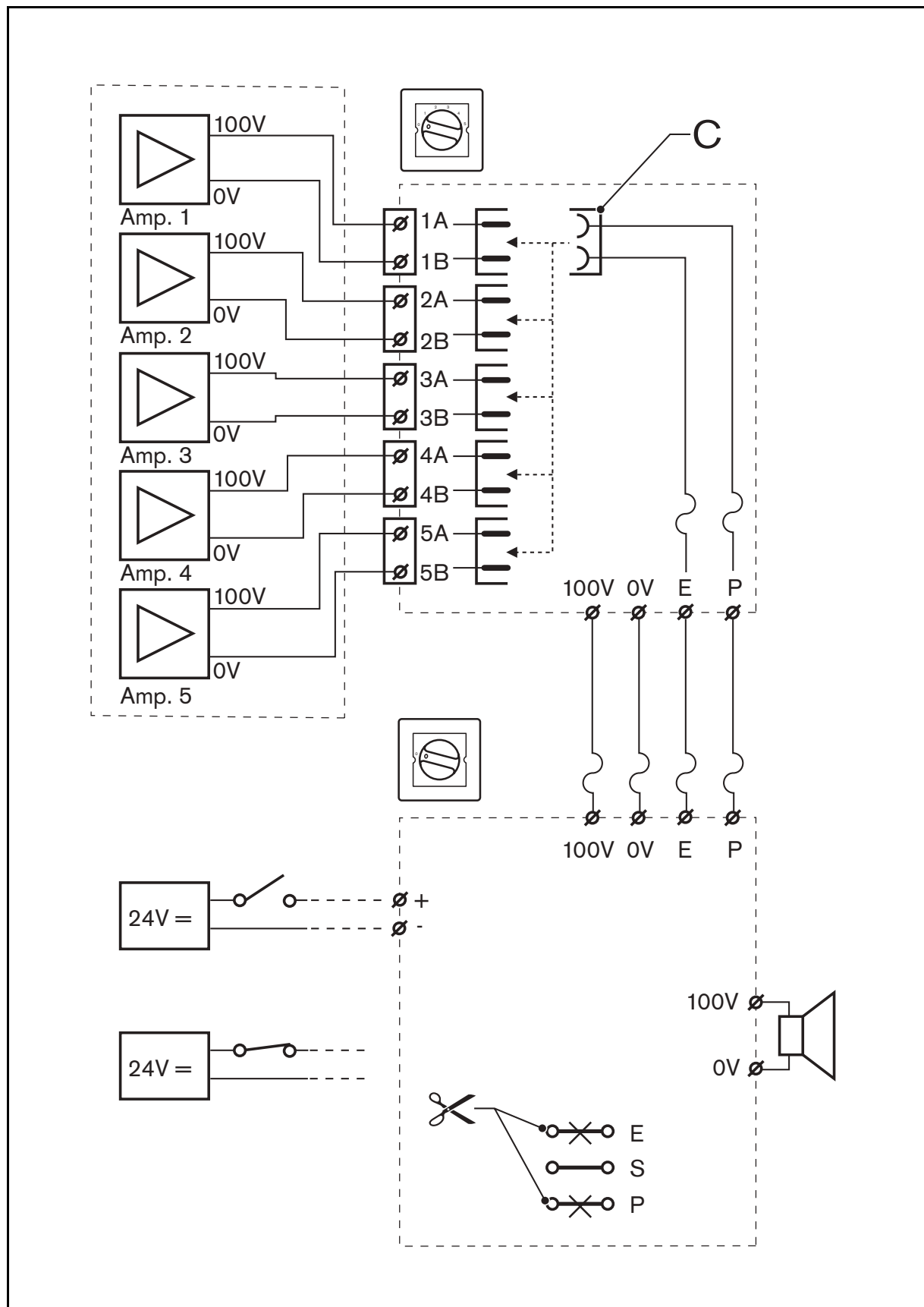


fig. 1.7: Program selector connected to a volume control

The position of the connector (C) determines from which amplifier the emergency message is generated.



## 2 Install

### 2.1 LBC1400/x0, LBC1410/x0, LBC1430/10

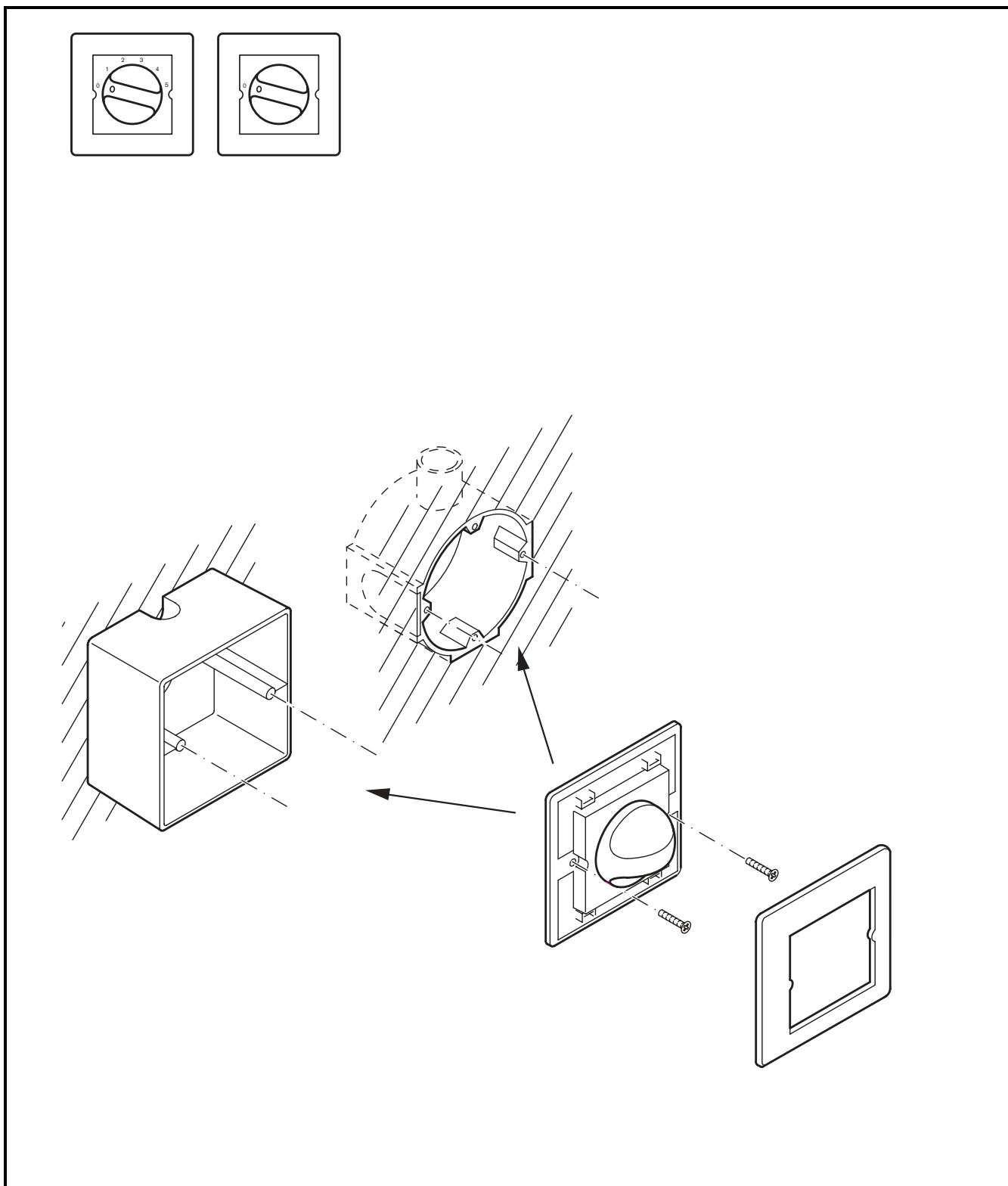


fig. 2.1: MK + LM1-SMB-MK

## 2.2 LBC1401/x0, LBC1411/x0, LBC1431/10

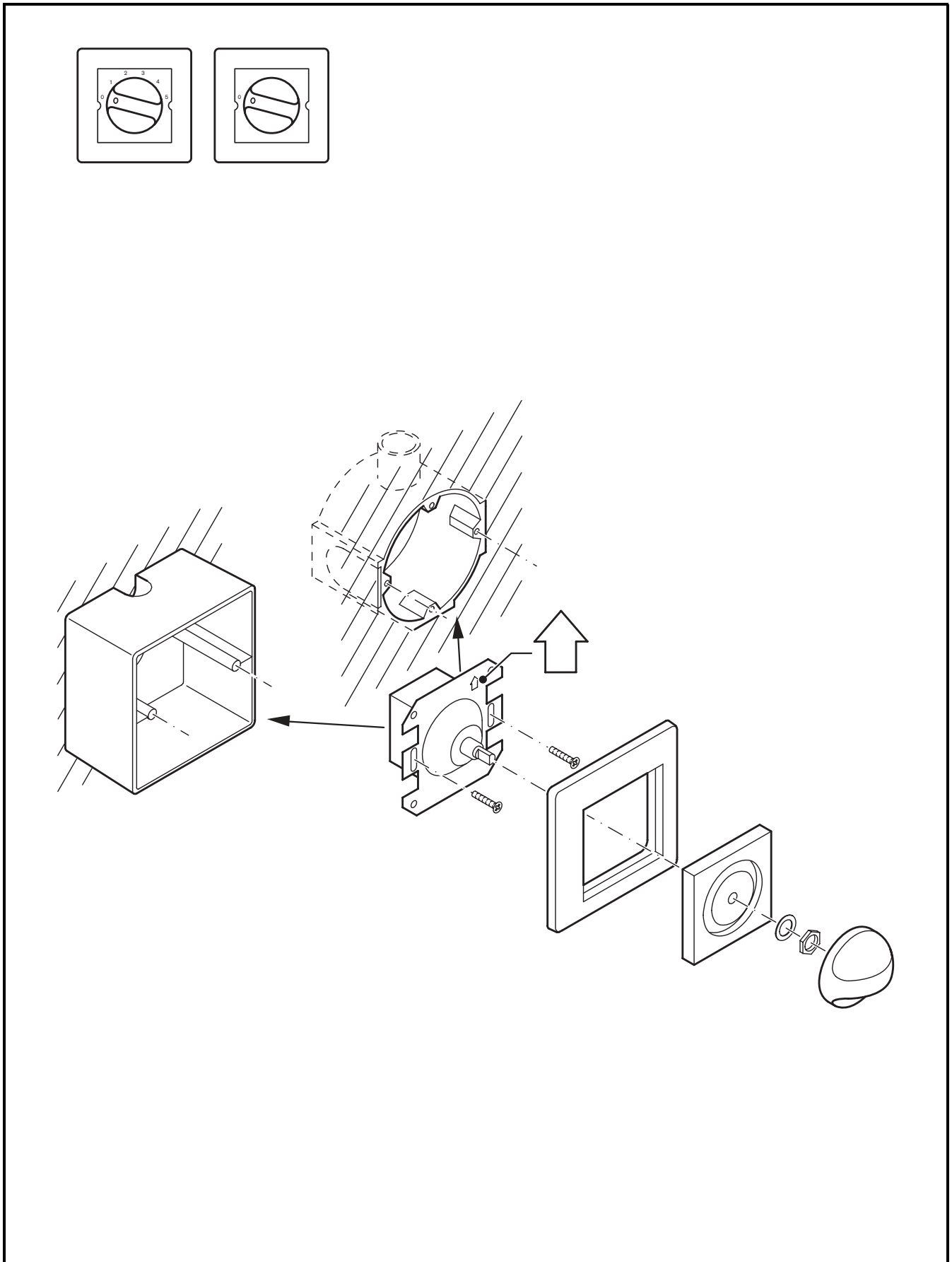


fig. 2.2: U40 + LM1-SMB-U40

## 2.3 LBC1402/x0, LBC1412/x0, LBC1434/10

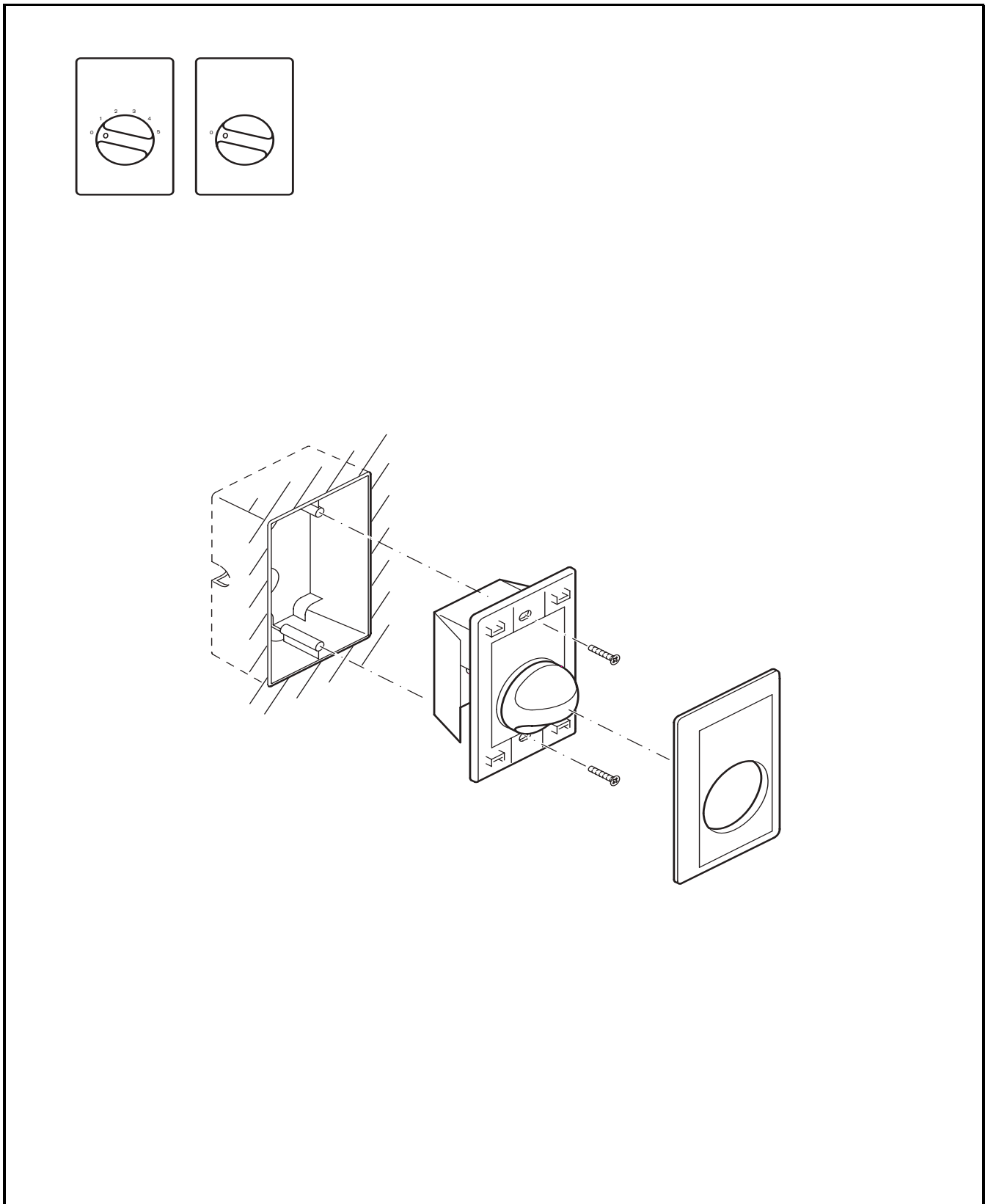


fig. 2.3: Installation Japanese version

## 2.4 LBC1420/x0

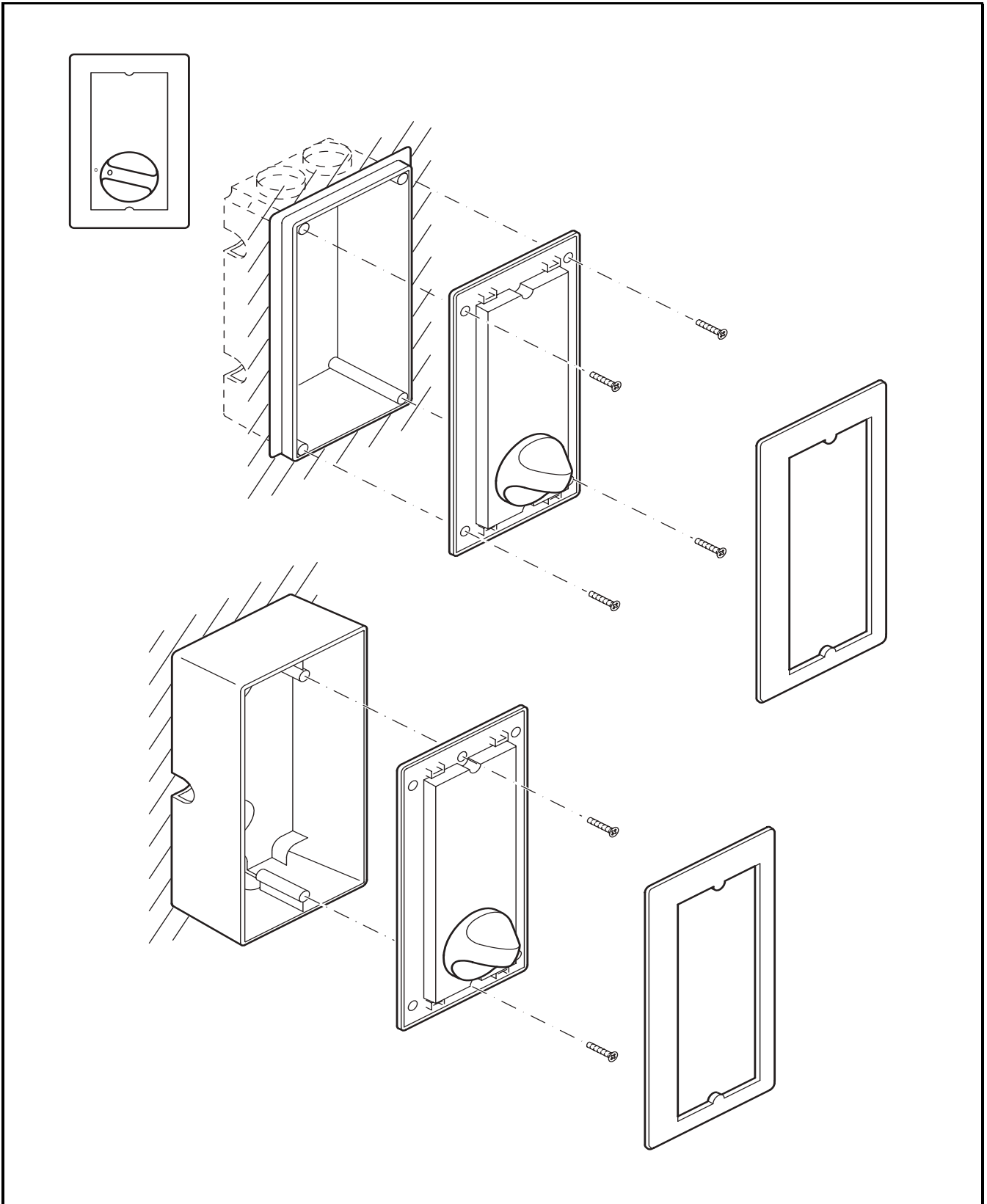
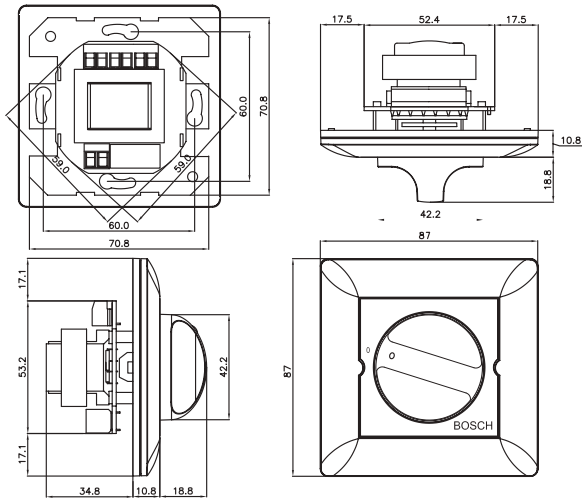
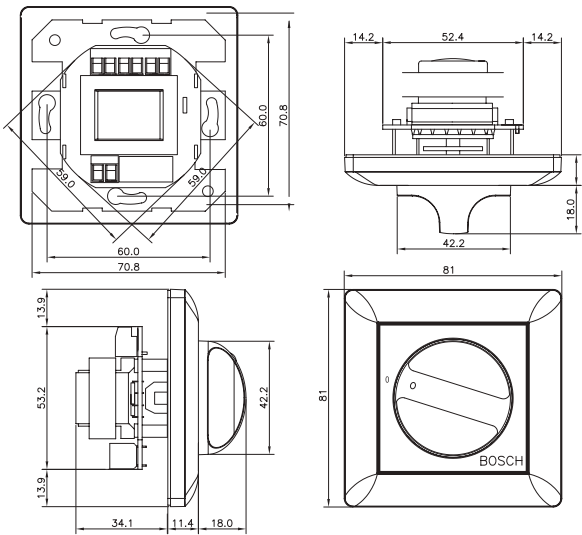


fig. 2.4: MK-D

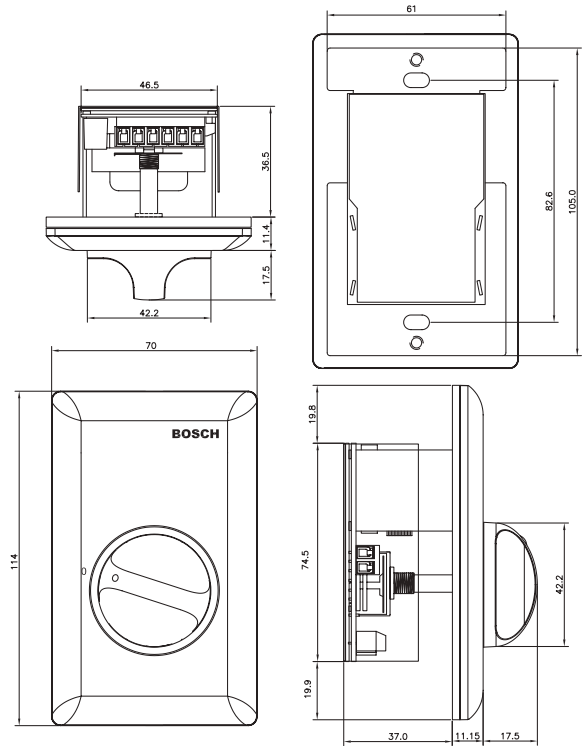
## Installation/Configuration Notes



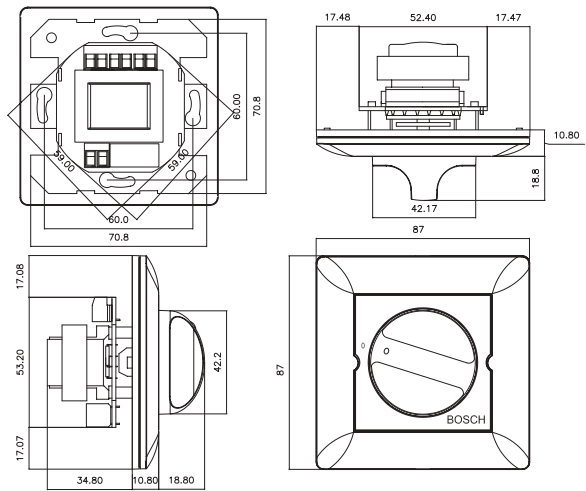
LBC 1400/10



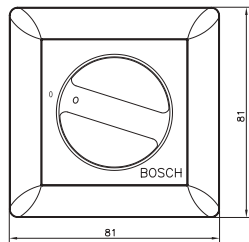
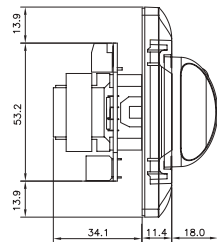
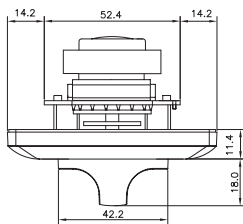
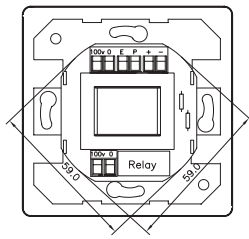
LBC 1401/10



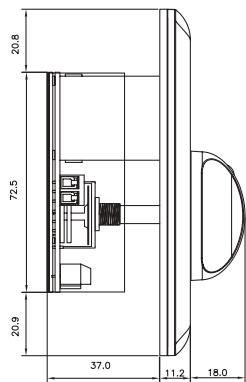
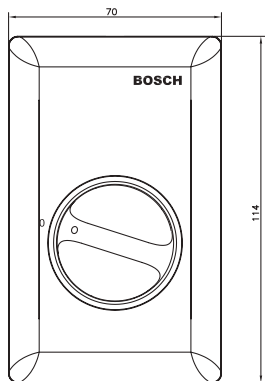
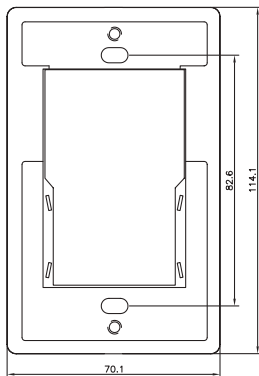
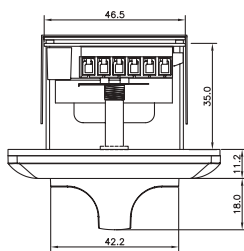
LBC 1402/10



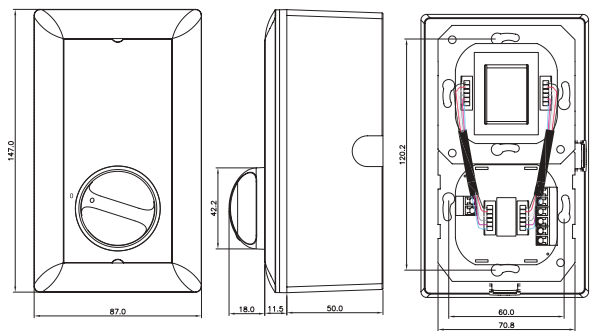
LBC 1410/10



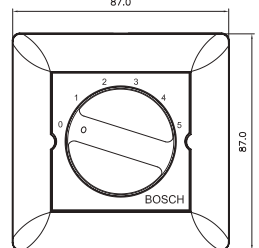
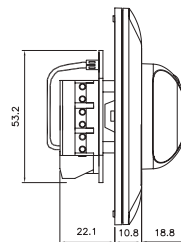
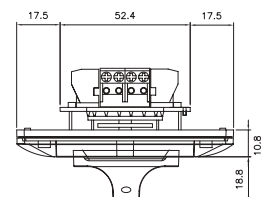
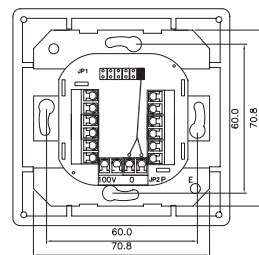
LBC 1411/10



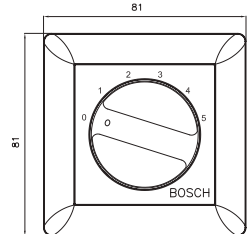
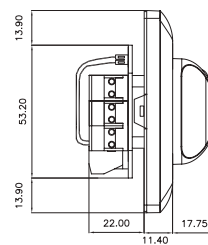
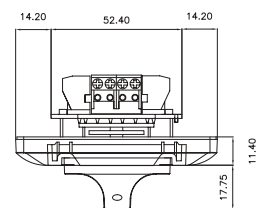
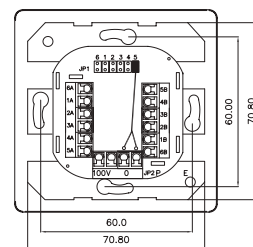
LBC 1412/10



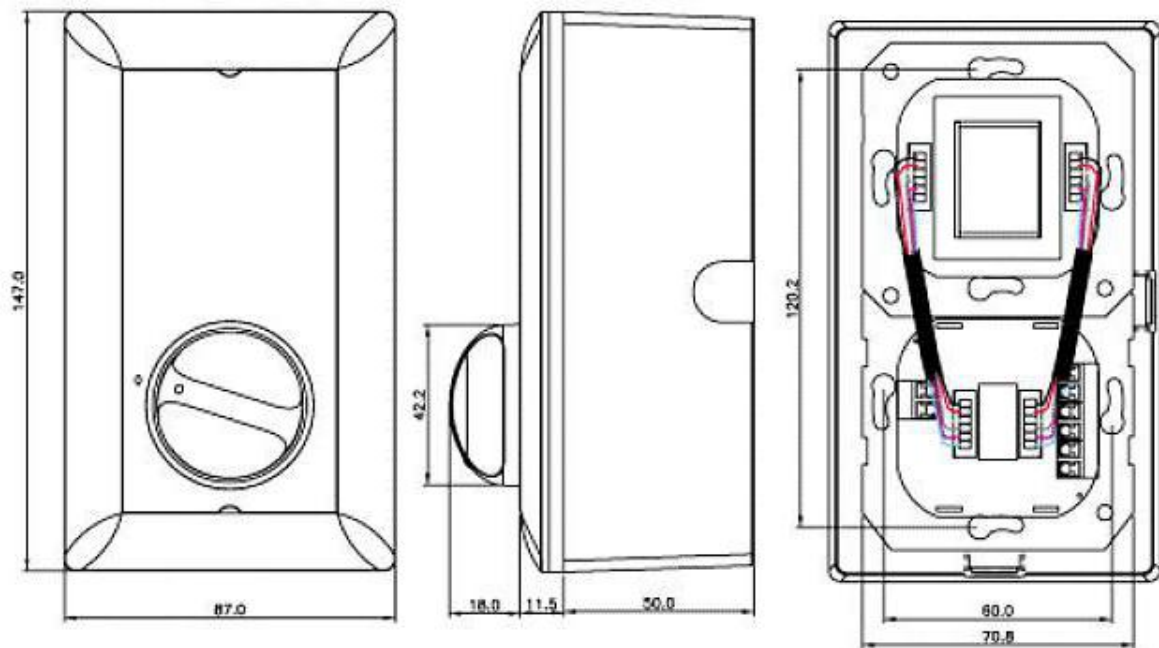
LBC 1420/10



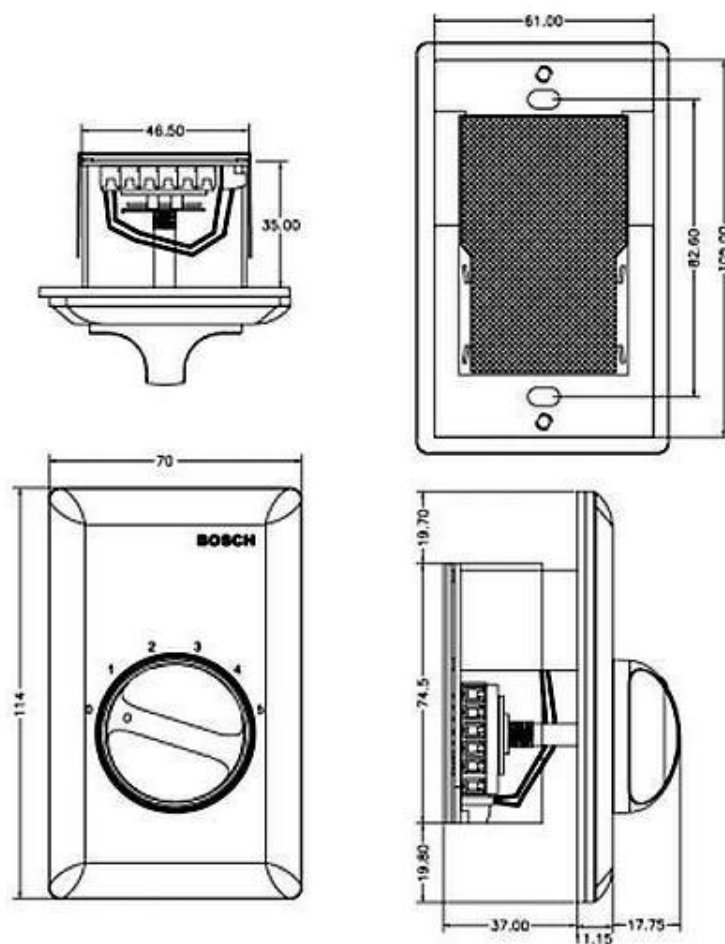
LBC 1430/10



LBC 1431/10



*LBC 1420/10*



*LBC 1434/10*

### 3 Circuit diagrams

#### 3.1 LBC1400/10, LBC1401/10, LBC1402/10

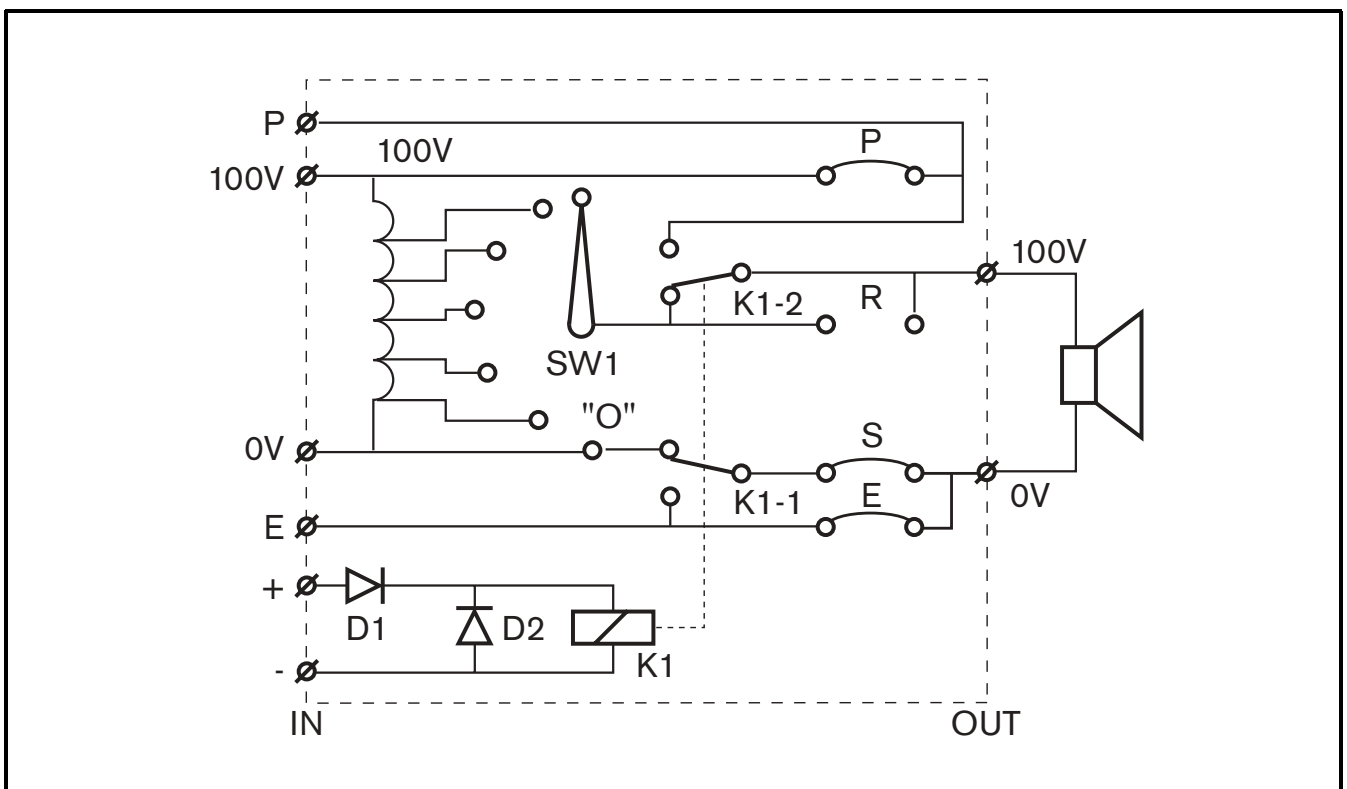


fig. 3.1



### 3.2 LBC1410/10, LBC1411/10, LBC1412/10

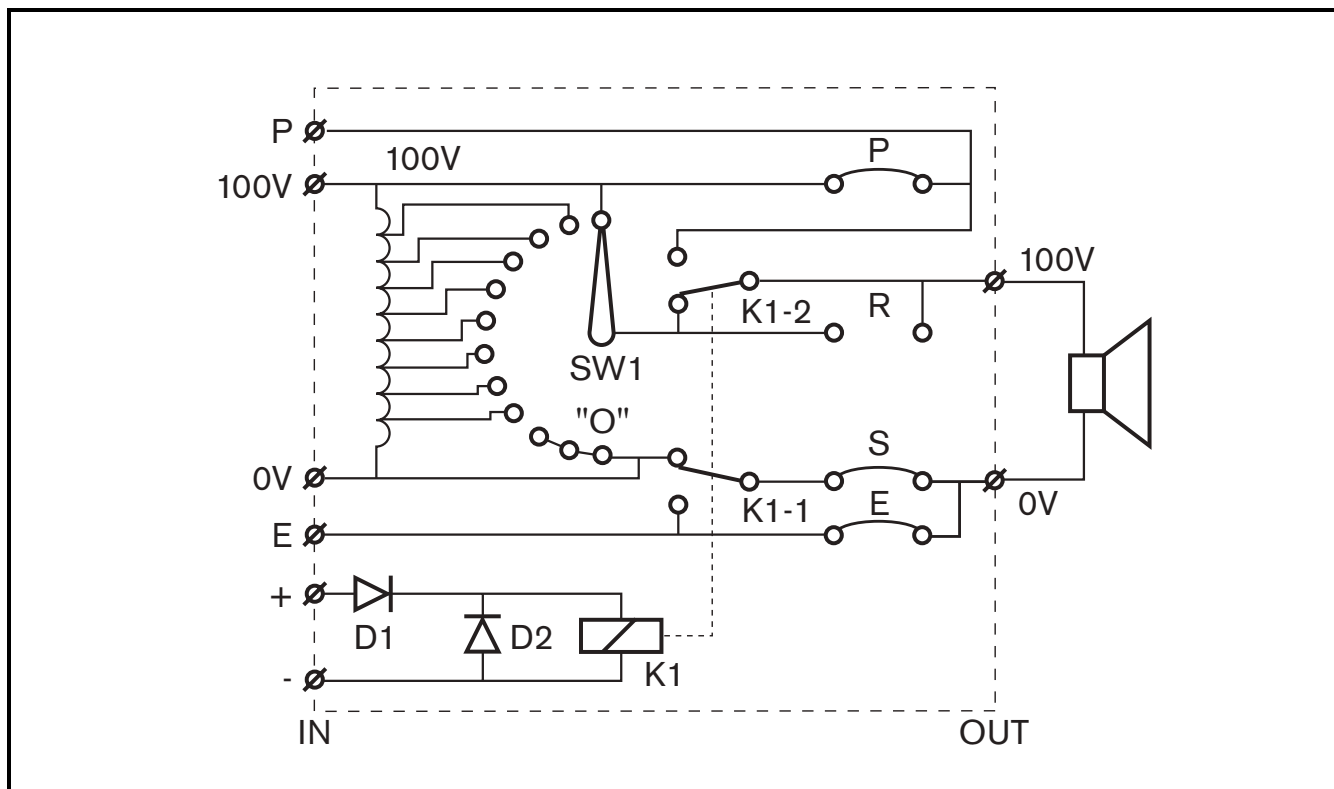


fig. 3.2

### 3.3 LBC1420/10

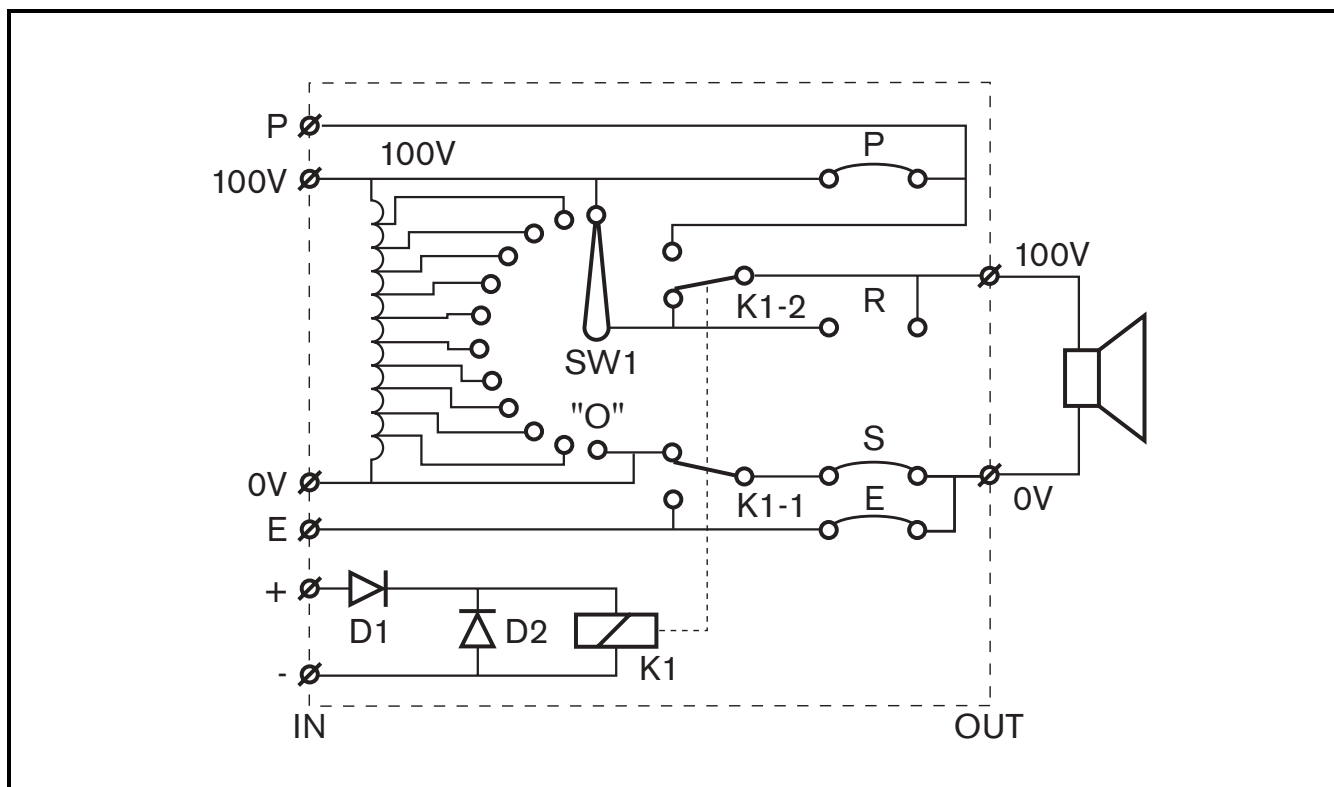


fig. 3.3

### 3.4 LBC1400/20, LBC1401/20, LBC1402/20

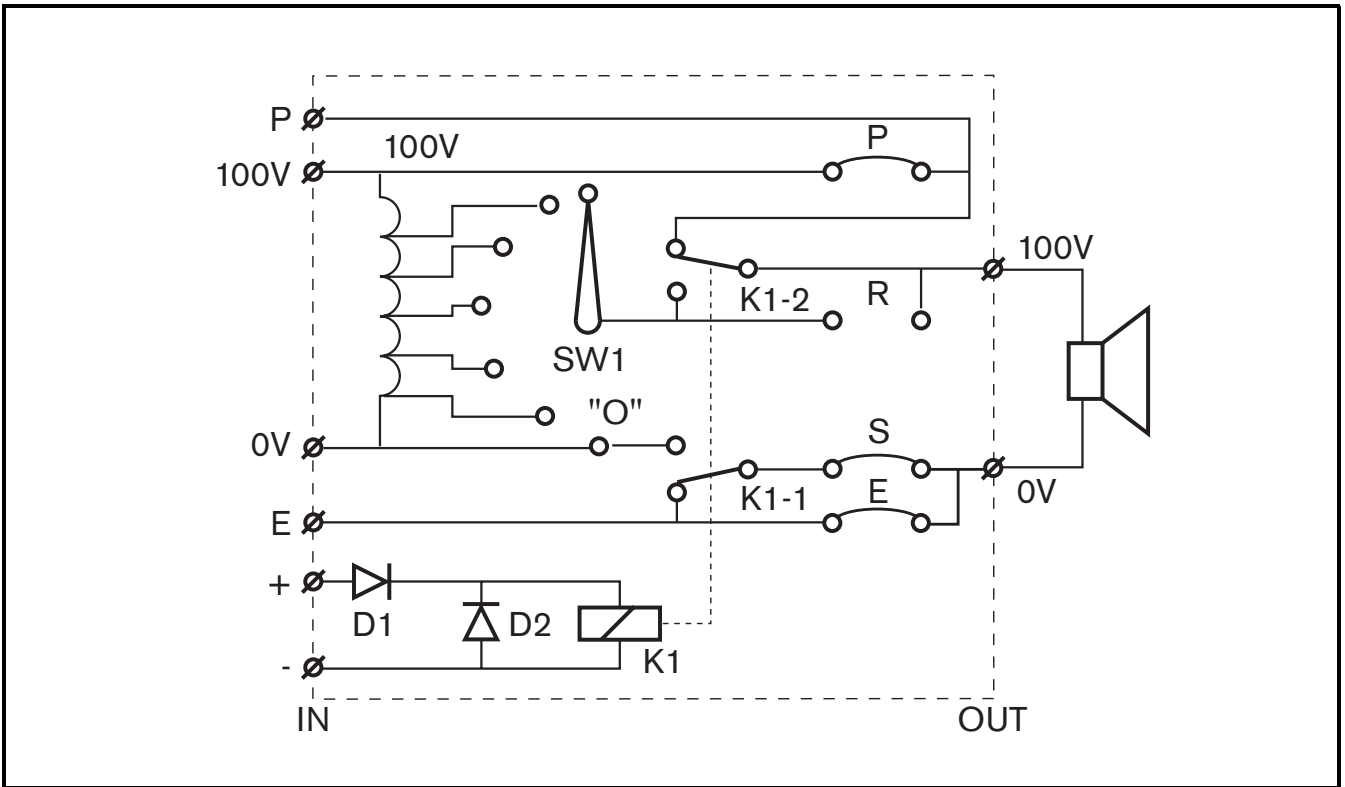


fig. 3.4

### 3.5 LBC1410/20, LBC1411/20, LBC1412/20

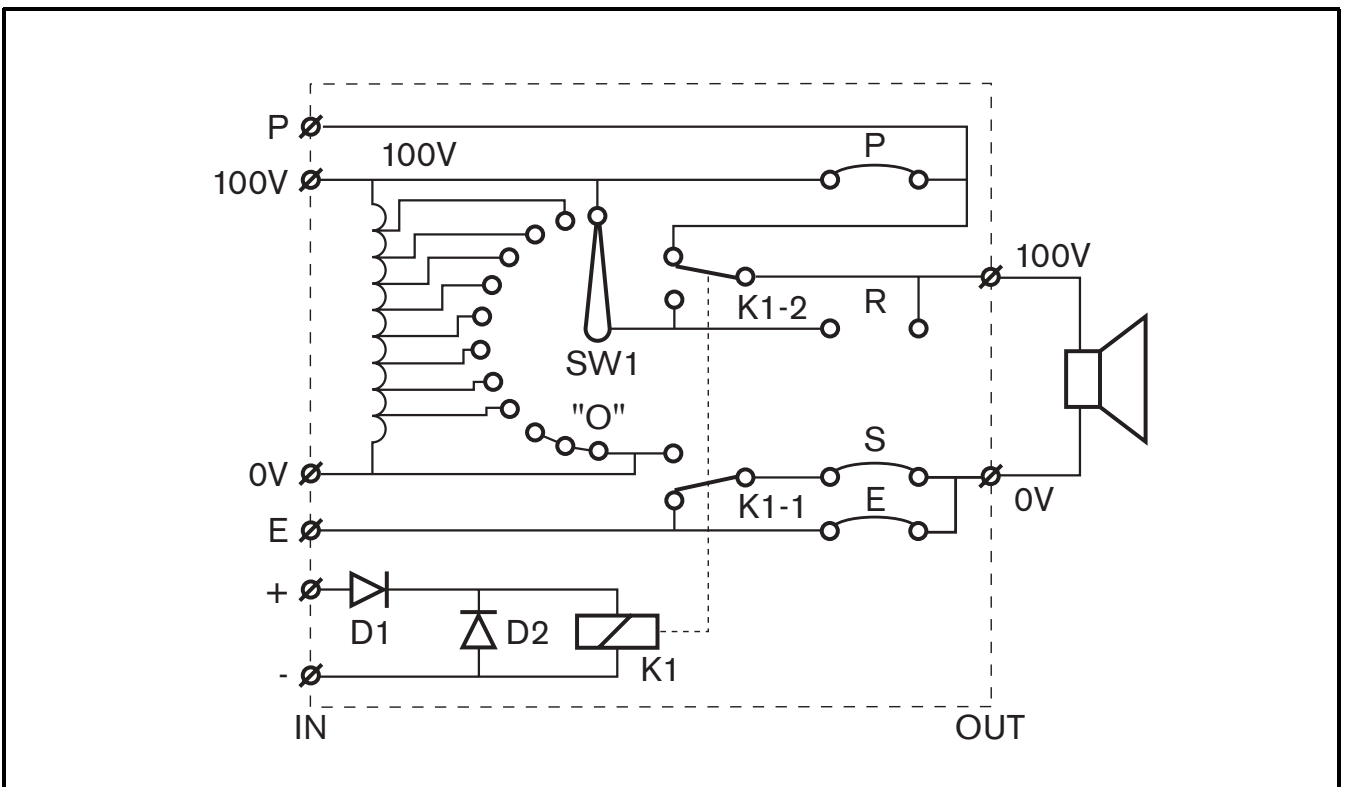


fig. 3.5

### 3.6 LBC1420/20

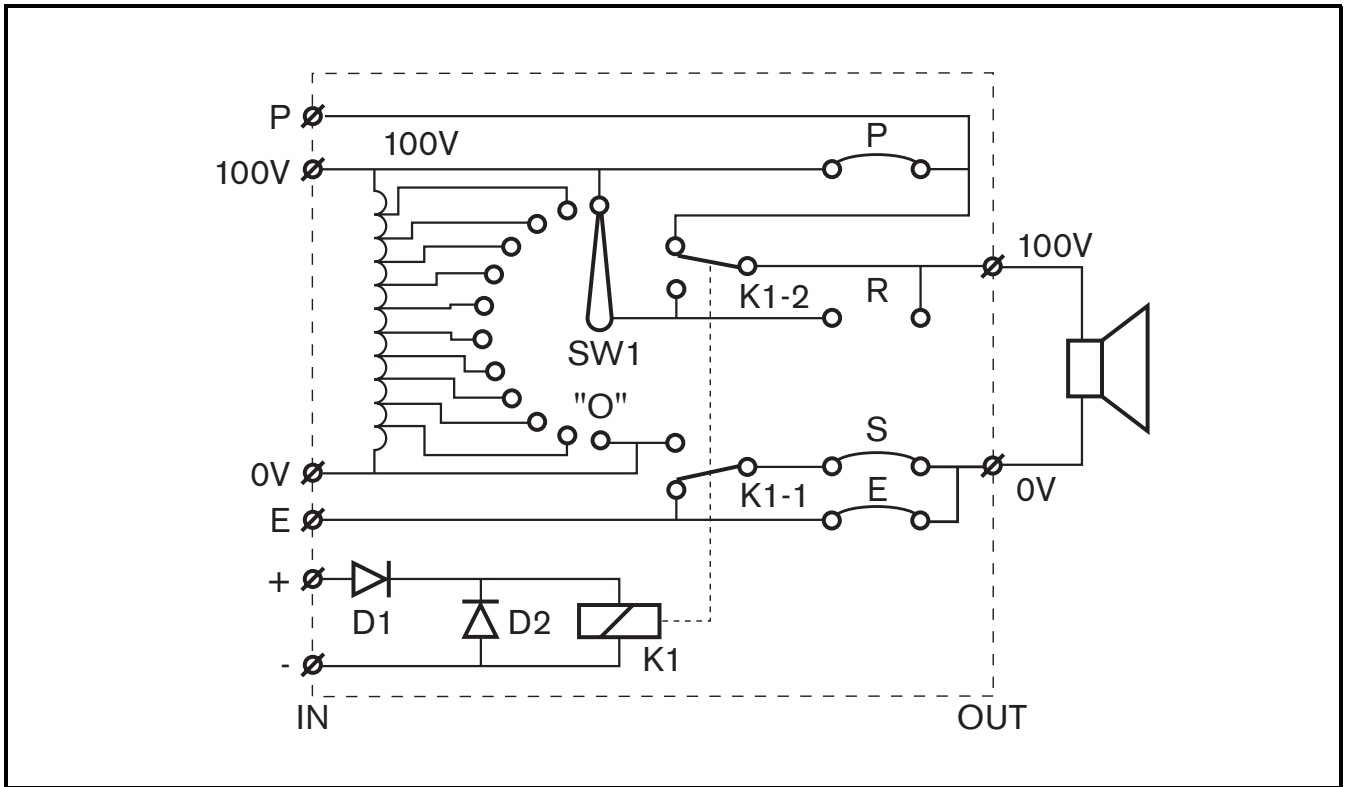


fig. 3.6

### 3.7 LBC143x/10

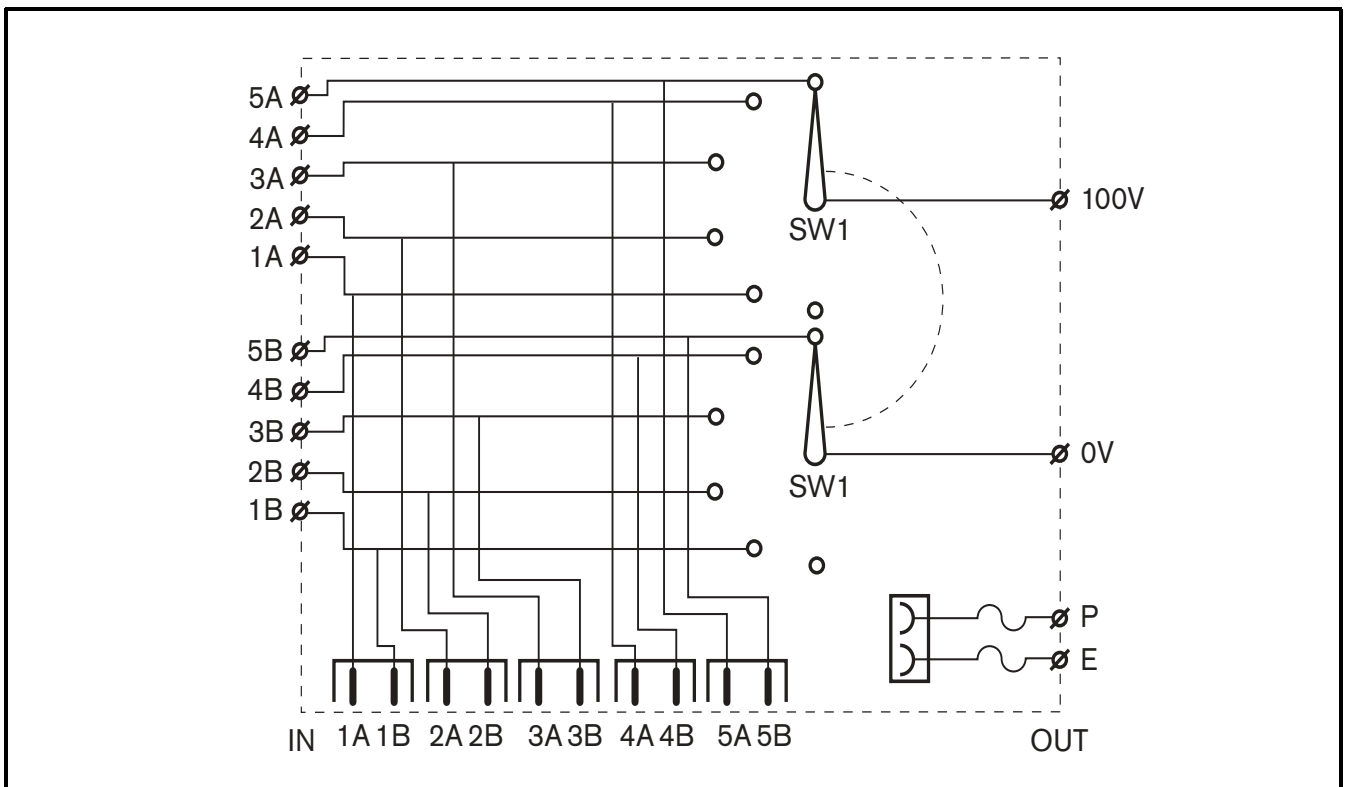


fig. 3.7

| Technical Specifications       |             |               |
|--------------------------------|-------------|---------------|
| Volume Control (Product Range) |             |               |
| Type Number                    | Watt (max.) | Mounting Type |
| LBC 1400/10                    | 12 W        | MK            |
| LBC 1401/10                    | 12 W        | U40           |
| LBC 1402/10                    | 12 W        | Japanese      |
| LBC 1410/10                    | 36 W        | MK            |
| LBC 1411/10                    | 36 W        | U40           |
| LBC 1412/10                    | 36 W        | Japanese      |
| LBC 1420/10                    | 100 W       | MK D/E2       |

| Program Selector (Product Range) |               |               |
|----------------------------------|---------------|---------------|
| Type Number                      | Program input | Mounting Type |
| LBC 1430/10                      | 5 ch          | MK            |
| LBC 1431/10                      | 5 ch          | U40           |
| LBC 1434/10                      | 5 ch          | Japanese      |

| Accessories |                          |
|-------------|--------------------------|
| LM1-SMB-U40 | Surface mounting box U40 |
| LM1-SMB-MK  | Surface mounting box MK  |

| LBC 140x/10               |                    |        |
|---------------------------|--------------------|--------|
| Rated Power               | 12 W               |        |
| Input Voltage             | 100 V              |        |
| Attenuation Steps         | 5 x 3 dB + off     |        |
| Frequency Response (-1dB) | 50 Hz to 20 kHz    |        |
| THD                       | < 0.5%             |        |
| Current Consumption       | 10 mA at 24 V DC   |        |
| Connection                | Screw terminals    |        |
| Color                     | Off-white RAL 9010 |        |
| Model no.                 | Dimension (W x H)  | Weight |
| LBC 1400 / 10             | 87 x 87 mm         | 226 g  |
| LBC 1401 / 10             | 81 x 81 mm         | 214 g  |
| LBC 1402 / 10             | 70 x 114 mm        | 210 g  |

| LBC 141x/10                |                    |        |
|----------------------------|--------------------|--------|
| Rated Power                | 36 W               |        |
| Input Voltage              | 100 V              |        |
| Attenuation Steps          | 8 x 3 dB + off     |        |
| Frequency Response (-1 dB) | 50 Hz to 20 kHz    |        |
| THD                        | < 0.5%             |        |
| Current Consumption        | 10 mA at 24 V DC   |        |
| Connection                 | Screw terminals    |        |
| Color                      | Off-white RAL 9010 |        |
| Model no.                  | Dimension (W x H)  | Weight |
| LBC 1410/10                | 87 x 87 mm         | 227 g  |
| LBC 1411/10                | 81 x 81 mm         | 217 g  |
| LBC 1412/10                | 70 x 114 mm        | 260 g  |

| LBC 1420/10                |                       |  |
|----------------------------|-----------------------|--|
| Rated Power                | 100 W                 |  |
| Input Voltage              | 100 V                 |  |
| Attenuation Steps          | 10 x 2 dB + off       |  |
| Frequency Response (-1 dB) | 50 Hz to 20 kHz       |  |
| THD                        | < 0.5%                |  |
| Current Consumption        | 10 mA at 24 V DC      |  |
| Connection                 | Screw terminals       |  |
| Color                      | Off-white RAL 9010    |  |
| Model no.                  | Dimension (W x H)     | Weight                                 |
| LBC 1420/10                | 87 x 147 x 61.5(D) mm | 512 g<br>Incl. surface<br>mounting box |

| LBC 143x/10         |                    |        |
|---------------------|--------------------|--------|
| Number of programs  | 5 programs + off   |        |
| Input Voltage/Power | 100 V/100 W        |        |
| Connection          | Screw terminals    |        |
| Color               | Off-white RAL 9010 |        |
| Model no.           | Dimension (W x H)  | Weight |
| LBC 1430/10         | 87 x 87 mm         | 125 g  |
| LBC 1431/10         | 81 x 81 mm         | 110 g  |
| LBC 1434/10         | 70 x 114 mm        | 200 g  |

#### Ordering Information

##### Model & Description

LBC 1400/10 Volume Control  
12W; MK

LBC 1401/10 Volume Control  
12W; U40

LBC 1402/10 Volume Control  
12W; Japanese

LBC 1410/10 Volume Control  
36W; MK

LBC 1411/10 Volume Control  
36W; U40

LBC 1412/10 Volume Control  
36W; Japanese

LBC 1420/10 Volume Control  
100W; MK D/E2

LBC 1430/10 Program Selector  
5 channel, MK

LBC 1431/10 Program Selector  
5 channel, U 40

LBC 1434/10 Program Selector  
5 channel, Japanese

##### Hardware Accessories

LM1-SMB-U40  
Surface mounting box U40

LM1-SMB-MK  
Surface mounting box U40

##### Americas:

Bosch Security Systems  
130 Perinton Parkway  
Fairport, New York, 14450, USA  
Phone:+1 (0) 585 223 4060  
Fax:+1 (0) 585 223 9180  
security.sales@us.bosch.com  
<http://www.boschsecurity.us>

##### Europe, Middle East, Africa:

Bosch Security Systems B.V.  
P.O. Box 80002  
5600 JB Eindhoven, The Netherlands  
Phone:+31 (0) 40 27 83955  
Fax:+31 (0) 40 27 86668  
emea.securitysystems@bosch.com  
<http://www.boschsecurity.com>

##### Asia-Pacific:

Bosch Security Systems Pte Ltd  
38C Jalan Pemimpin  
Singapore 577180  
Phone:+65 6319 3450  
Fax:+65 6319 3499  
apr.securitysystems@bosch.com  
<http://www.boschsecurity.com>

# BOSCH