

Ceiling loudspeaker

LBC 3086/41



BOSCH

en Installation note

1 Installation

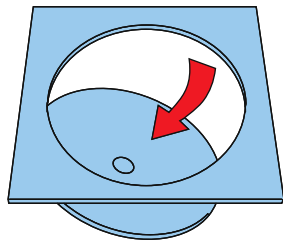


Figure 1.1

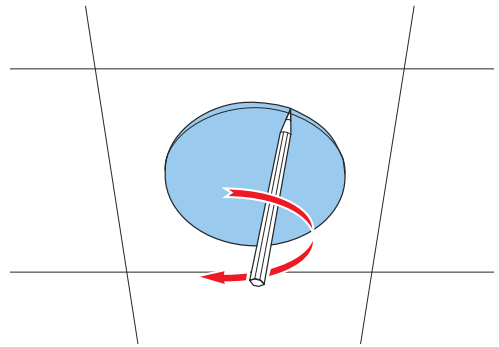


Figure 1.2

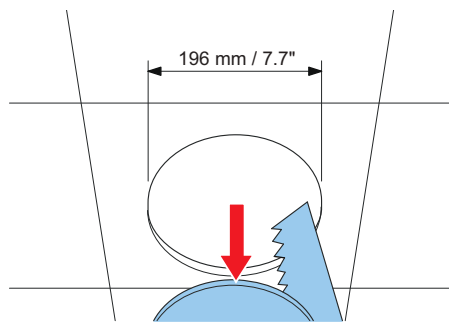


Figure 1.3

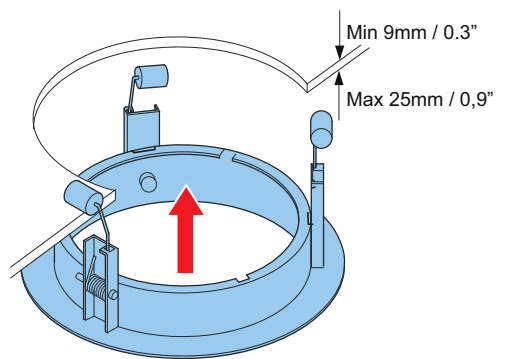


Figure 1.4

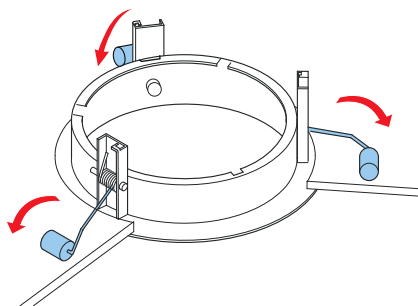


Figure 1.5

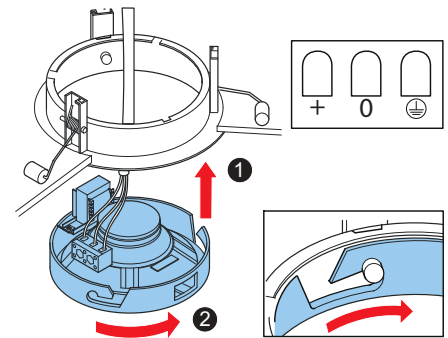


Figure 1.6

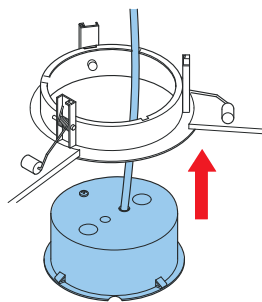


Figure 1.7

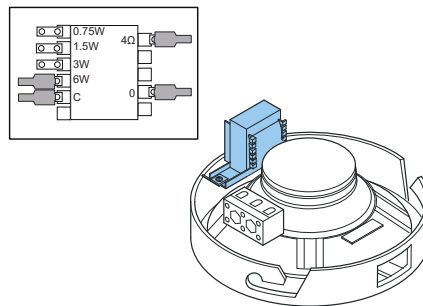


Figure 1.8

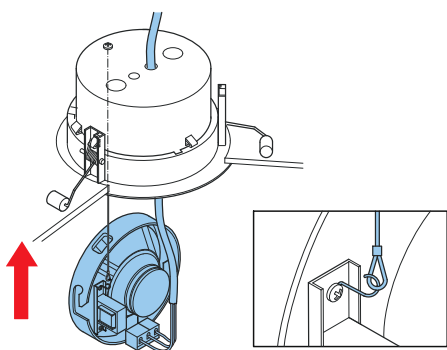


Figure 1.9

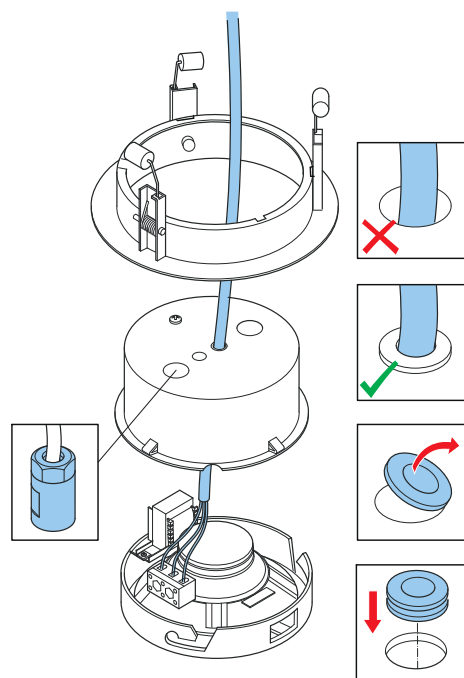


Figure 1.10

2 Technical data

Electrical*

Maximum power	9 W	
Rated power	6 / 3 / 1.5 / 0.75 W	
Sound pressure level at 6 W / 1 W (1 kHz, 1 m)	98 dB / 90 dB (SPL)	
Sound pressure level at 6 W / 1 W (1 kHz, 4 m)	89 dB / 81 dB (SPL)	
Effective frequency range (-10 dB)	90 Hz to 20 kHz	
Opening angle at 1 kHz/4 kHz (-6 dB)	180° / 50°	
Rated voltage Rated impedance		100 V
	6 W	1667 Ohm
	3 W	3333 Ohm
	1.5 W	6667 Ohm
	0.75 W	13333 Ohm
Connector	3-pole screw terminal block	

* Technical performance data acc. to IEC 60268-5

Mechanical

Diameter	216 mm (8.5 in)
Maximum depth	90 mm (3.54 in)
Ceiling thickness	9 to 25 mm (0.35 to 0.98 in)
Mounting cut-out	196 mm (7.7 in)
Weight	1.3 kg (2.86 lb)
Color	White (RAL 9010)
Magnet weight	150 g (5.3 oz)

Environmental

Operating temperature	-25 °C to +55 °C (-13 °F to +131 °F)
Storage and transport temperature	-40 °C to +70 °C (-40 °F to +158 °F)
Relative humidity	<95%

Mechanical LBC 3081/02

Dimensions (dia. x max. depth)	157 x 70 mm (6.2 x 2.8 in)
Weight	360 g (0.8 lb)
Color	Flame red (RAL 3000)
Certified B15	Acc. to DIN 4102

Note:

- The specification data is measured in an anechoic chamber, on a standard baffle
- The reference axis is perpendicular to the center point of the front grille
- The reference plane is perpendicular to the center of the reference axis
- The horizontal plane is perpendicular to the center of the reference plane

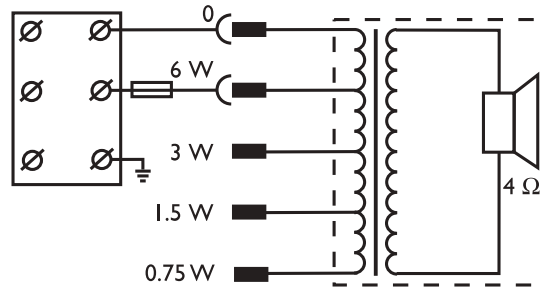


Figure 2.1: Circuit diagram

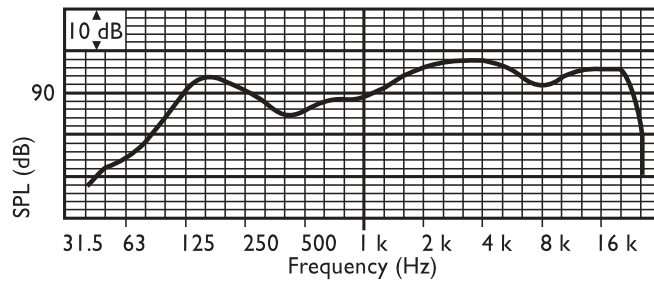


Figure 2.2: Frequency response

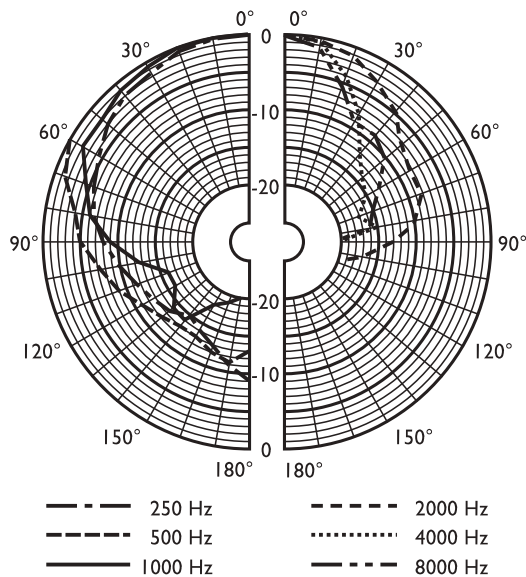


Figure 2.3: Polar diagram



Figure 2.4: CE-label

Bosch Security Systems B.V.

Torenallee 49

5617 BA Eindhoven

Netherlands

www.boschsecurity.com

© Bosch Security Systems B.V., 2017