

LBC3090/31 Ceiling loudspeaker 6W metal with clamps

www.boschsecurity.com



BOSCH
Invented for life



- ▶ Suitable for speech and music reproduction
- ▶ Increased sensitivity
- ▶ Flush-mounting in ceiling cavity
- ▶ Easy to install
- ▶ Simple power setting

Bosch loudspeakers offer a combination of quality, performance and innovation in public address. They are the result of over half a century's experience in professional audio, and meet virtually all sound reinforcement system requirements.

Functions

A flush-mounting ceiling loudspeaker is available for general purpose applications. This full-range loudspeaker offers a high sound pressure level and a wide frequency range, and is suitable for both speech and music reproduction in shops, department stores, schools, offices, sports halls, hotels and restaurants. The loudspeaker assembly consists of a single-piece, 6 W dual-cone loudspeaker and frame, with a 100 V matching transformer mounted on the back. A circular metal grille is integrated with the front. The appearance and neutral white colour have been selected to be unobtrusive in virtually all interiors. A dust cover protects the rear.

Certifications and approvals

All Bosch loudspeakers are designed to withstand operating at their rated power for 100 hours in accordance with IEC 268-5 Power Handling Capacity (PHC) standards. Bosch has also developed the Simulated Acoustical Feedback Exposure (SAFE) test to demonstrate that they can withstand two times their rated power for short durations. This ensures extra reliability under extreme conditions, leading to higher customer satisfaction, longer operating life, and much less chance of failure or performance deterioration.

Safety	acc. to EN 60065
Ball-proof	acc. to DIN VDE 0710 part-13
Region	Regulatory compliance/quality marks
Europe	CE DECL EC LBC3090_31

Installation/configuration notes

Installation

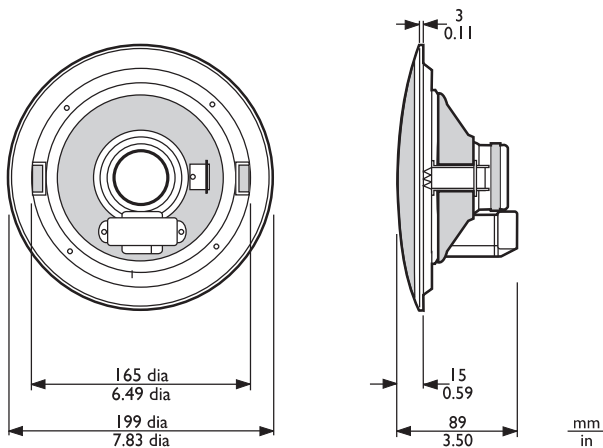
The assembly can be simply and quickly installed into a hole in the ceiling cavity and secured by two integral spring-loaded ceiling locking clamps (for ceilings and wall boards from 9 to 25 mm thick). A circular template for marking a 172 mm (6.7 in) diameter hole is included with the loudspeaker.

Terminal Block

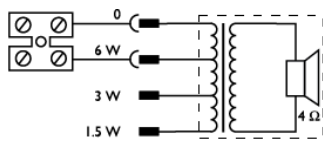
The unit has a two-way ABS terminal block with screw connections suitable for loop-through wiring. Three primary taps are provided on the matching transformer to allow selection of nominal full-power, half-power or quarter-power radiation (i.e. in 3 dB steps).

LBC3080/01 Fire Dome

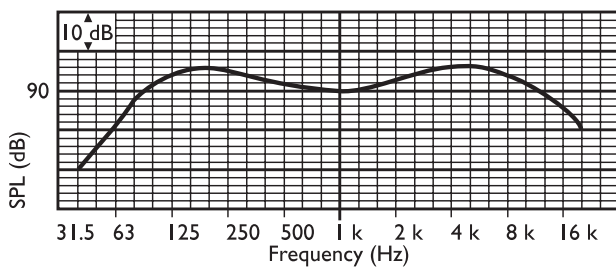
During a fire, the ceiling cavity can allow fire or smoke to spread throughout a building. To inhibit fire entering the cavity via the ceiling loudspeaker, it can be fitted with an LBC3080/01 steel fire dome. This is mounted on the loudspeaker assembly using four self-tapping screws supplied with the fire dome. The fire dome has knock-out holes for two grommets (supplied) and two cable glands (PG 13).



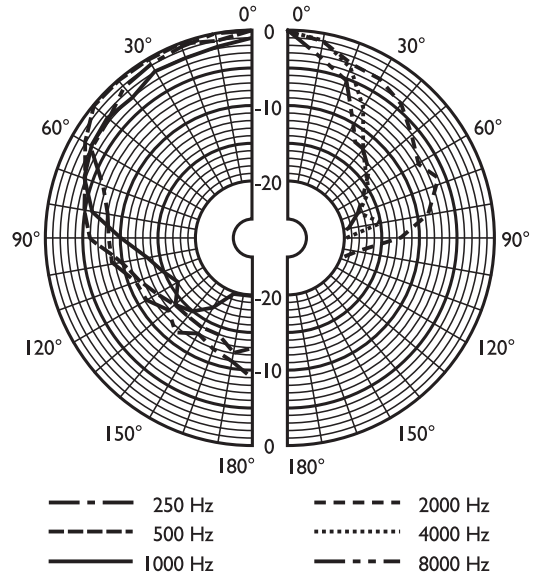
Dimensions in mm (in)



Circuit diagram



Frequency response



Polar diagram (measured with pink noise)

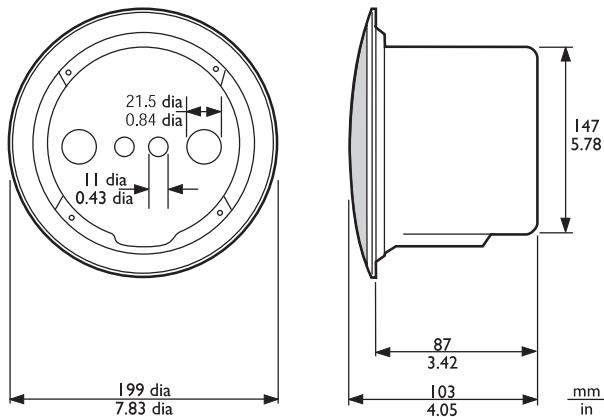
	125 Hz	250 Hz	500 Hz	1 kHz	2 kHz	4 kHz	8 kHz
SPL 1.1	94	91	88	91	93	96	92
SPL max.	102	99	96	99	101	104	100
Q-factor	4.8	5	3	3.4	6.3	18	20
Efficiency	0.66	0.32	0.27	0.47	0.4	0.28	0.1
H. angle	150	140	180	160	140	55	45
V. angle	150	140	180	160	140	55	45

Acoustical performance specified per octave

LBC3080/01 Fire Dome



LBC3080/01



LBC3090/31 + LBC3080/01 fire dome assembly dimensions in mm (in)

Parts included

Quantity	Component
1	LBC3090/31 Ceiling Loudspeaker
1	172 mm circular template

Technical specifications

Electrical*

Maximum power	9 W
Rated power	6 / 3 / 1.5 W
Sound pressure level at 6 W / 1 W (1 kHz, 1 m)	99 dB / 91 dB (SPL)
Sound pressure level at 6 W / 1 W (4 kHz, 1 m)	104 dB / 96 dB (SPL)
Effective frequency range (-10 dB)	70 Hz to 18 kHz
Opening angle at 1 kHz/4 kHz (-6 dB)	160° / 55°
Rated voltage	100 V
Rated impedance	1667 ohm
Connector	2-pole screw terminal block

* Technical performance data acc. to IEC 60268-5

Mechanical

Diameter	199 mm (7.8 in)
Maximum depth	89 mm (3.5 in)
Mounting cut-out	172 mm (6.5 in)

Speaker diameter	152.4 mm (6 in)
Weight	990 g (2.2 lb)
Color	White (RAL 9010)
Magnet weight	150 g (5.3 oz)

Environmental

Operating temperature	-25 °C to +55 °C (-13 °F to +131 °F)
Storage and transport temperature	-40 °C to +70 °C (-40 °F to +158 °F)
Relative humidity	<95%

LBC3080/01

Diameter	147 mm (5.8 in)
Maximum depth	87 mm (3.4 in)
Weight	360 g (0.8 lb)
Color	Flame red (RAL 3000)
Certified B15	acc. to DIN 4102

Ordering information

LBC3090/31 Ceiling loudspeaker 6W metal with clamps

Ceiling loudspeaker, 6 W, integrated circular metal grille, two spring-loaded clamps for ceiling mounting, protective dust cover, two-way screw terminal block, white RAL 9010.

Order number **LBC3090/31**

Accessories

LBC1256/00 Ceramic connection adapter

Emergency connection adapter, 3-pole screw ceramic connector with a pre-mounted thermal fuse, to be installed in series with the 100 V primary connection of a loudspeaker unit, set of 100 pieces.

Order number **LBC1256/00**

LBC3080/01 Metal fire dome

Metal fire dome for the LBC3087/41, LBC3090/01, LBC3090/31, LHM0606/00, LHM0606/10, and LHM0626/00 ceiling loudspeakers, EN54-24 certified, flame red RAL 3000.

Order number **LBC3080/01**

LBC3080/11 Metal fire dome, white

Metal fire dome for LBC3087/41, LBC3090/01, LBC3090/31, LHM0606/00, LHM0606/10 and LHM0626/00 ceiling loudspeakers, white RAL 9010.

Order number **LBC3080/11**

Represented by:

Europe, Middle East, Africa:
Bosch Security Systems B.V.
P.O. Box 80002
5600 JB Eindhoven, The Netherlands
Phone: + 31 40 2577 284
emea.securitysystems@bosch.com
emea.boschsecurity.com

Germany:
Bosch Sicherheitssysteme GmbH
Robert-Bosch-Ring 5
85630 Grasbrunn
Germany
www.boschsecurity.com

North America:
Bosch Security Systems, Inc.
130 Perinton Parkway
Fairport, New York, 14450, USA
Phone: +1 800 289 0096
Fax: +1 585 223 9180
onlinehelp@us.bosch.com
www.boschsecurity.us

Asia-Pacific:
Robert Bosch (SEA) Pte Ltd, Security Systems
11 Bishan Street 21
Singapore 573943
Phone: +65 6571 2808
Fax: +65 6571 2699
apr.securitysystems@bosch.com
www.boschsecurity.asia