

Loudspeakers

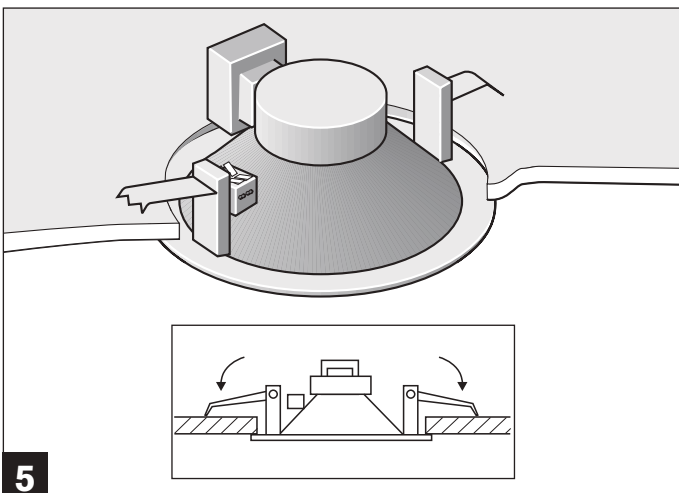
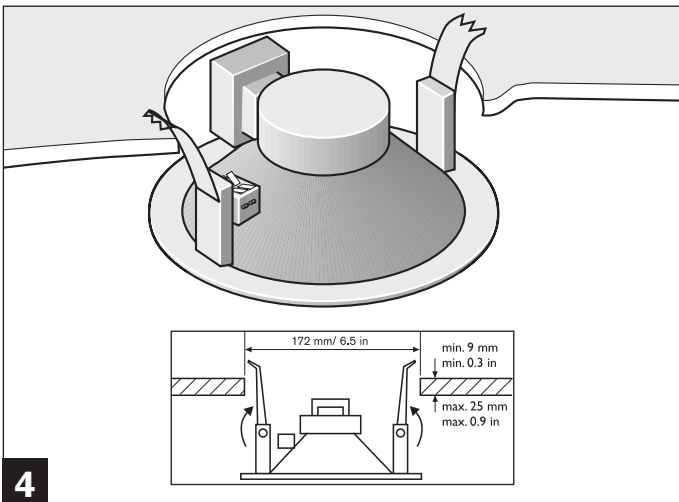
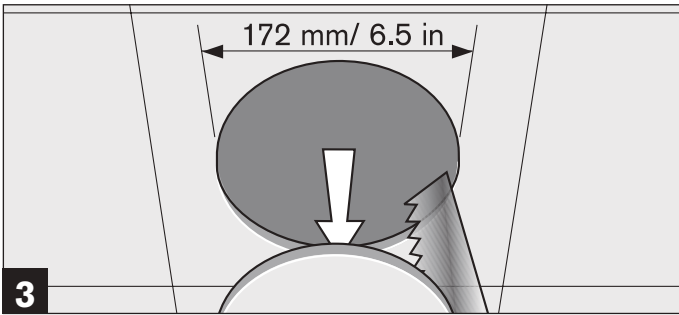
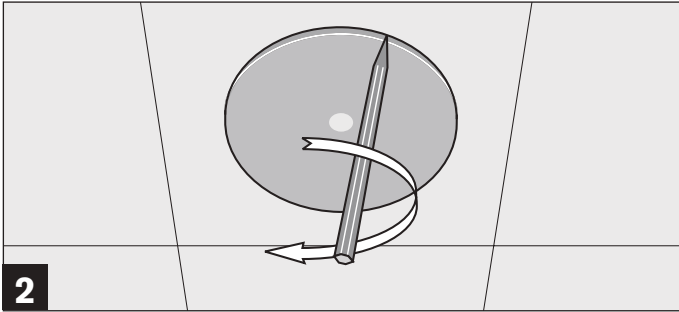
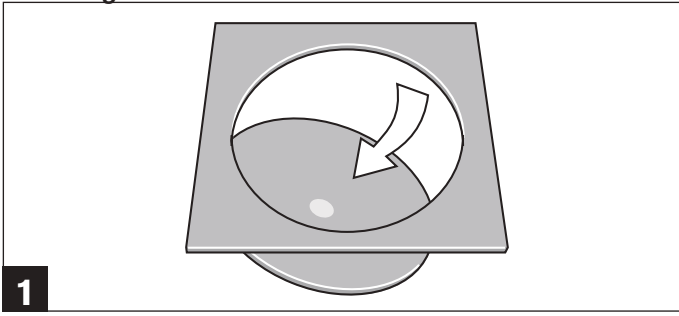


Security Systems

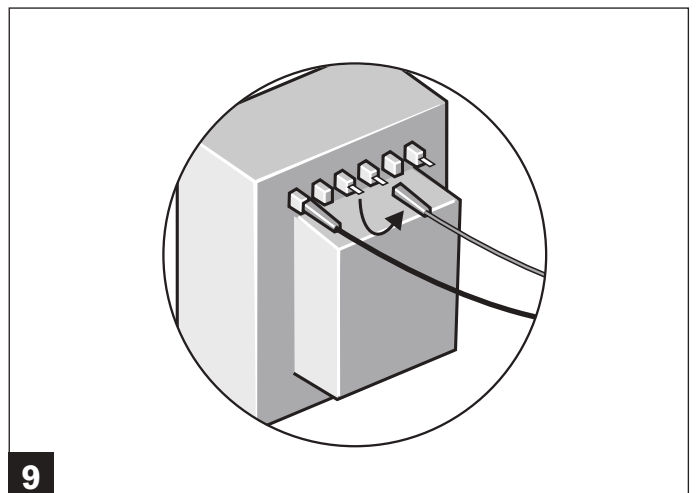
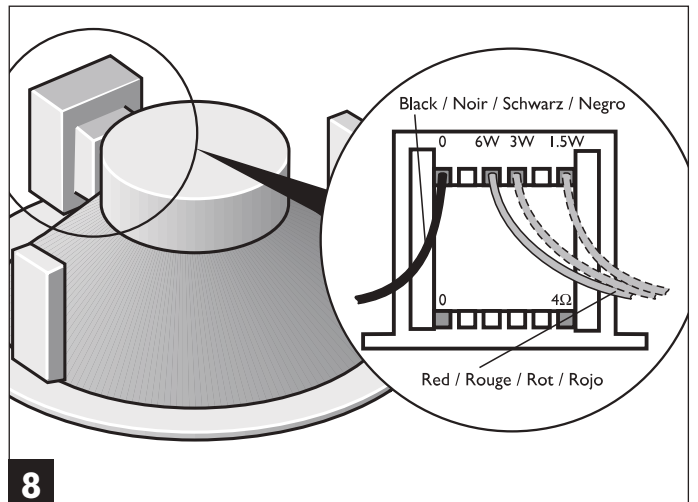
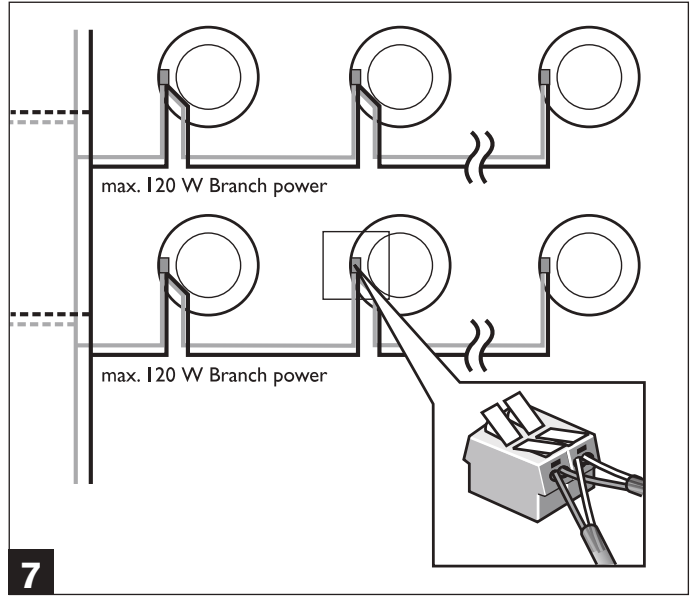
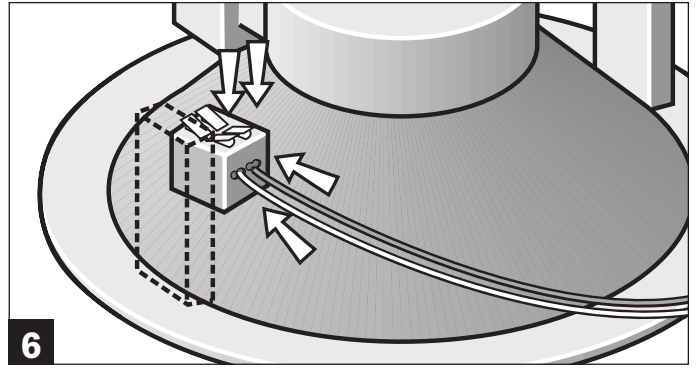
EN | Instructions for use
LBC 3090/31

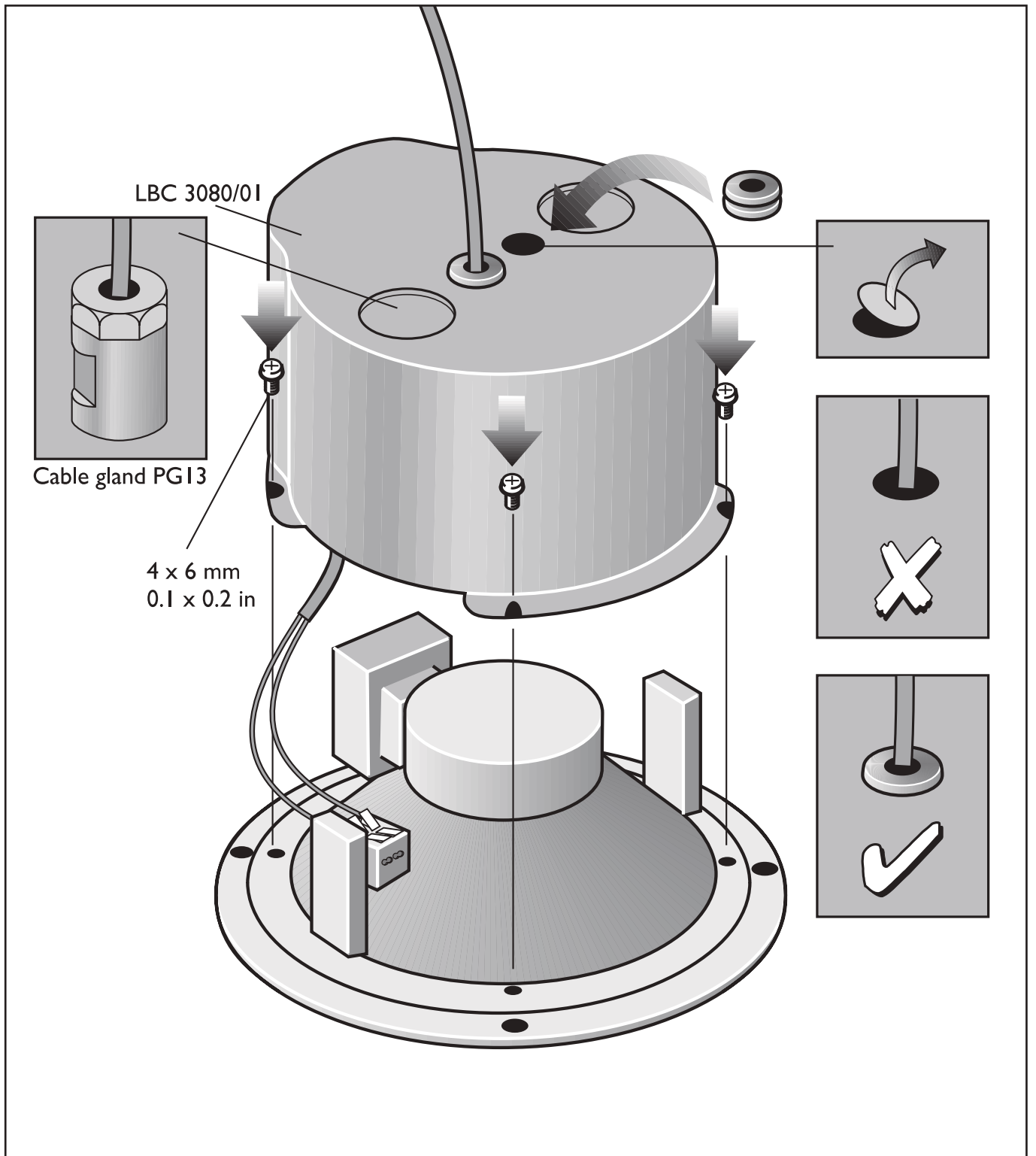
BOSCH

Mounting



Connection

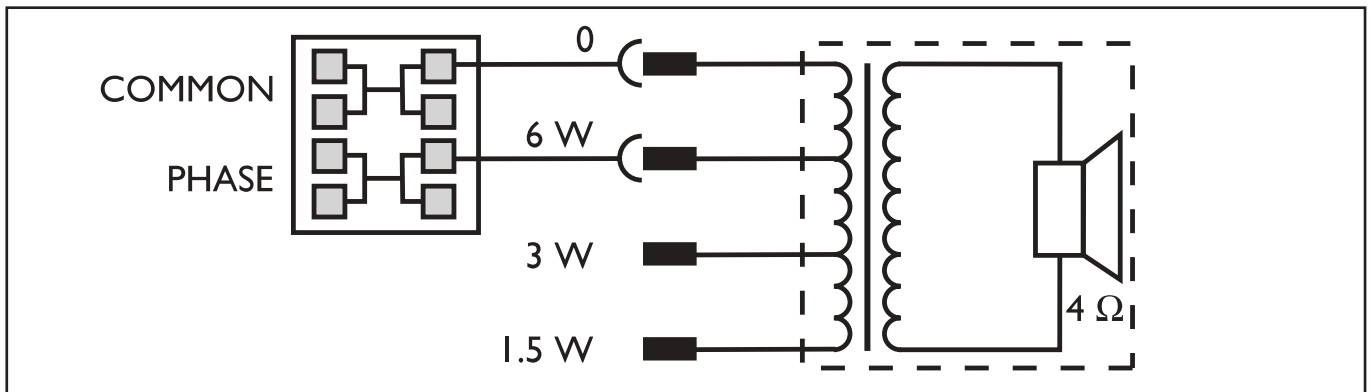




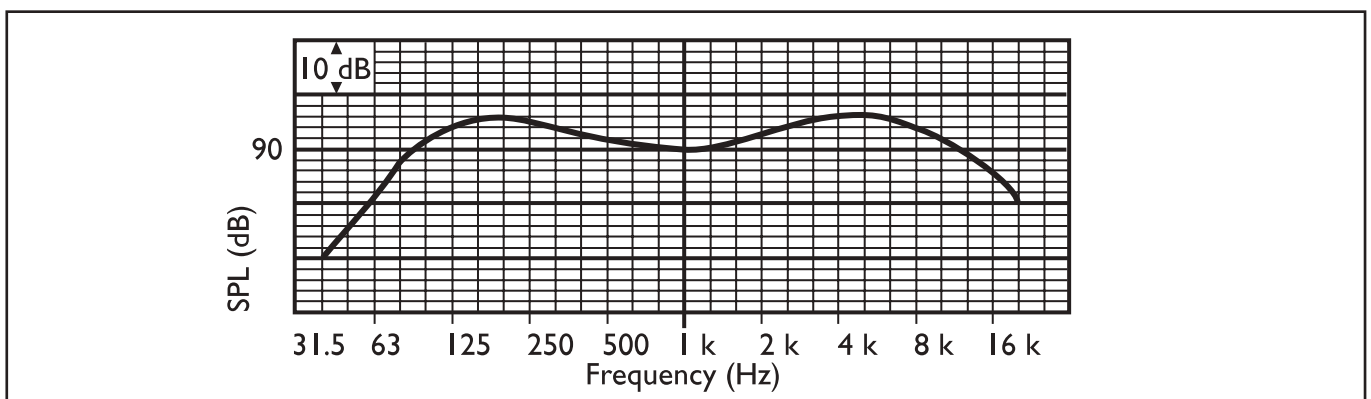
TECHNICAL PERFORMANCE DATA ACC. TO IEC 268-5

| | |
|--|-------------------------------|
| | LBC 3090/31 |
| Max. power | 9 W |
| Rated power (PHC) | 6 W (6 - 3 - 1.5 W) |
| Sound pressure level at 6 W/1 W (at 1 kHz, 1 m) | 99/91 dB (SPL) |
| Effective frequency range (-10 dB) | 70 Hz to 18 kHz |
| Opening angle (at 1 kHz/4 kHz, -6 dB) | 160°/55° |
| Rated voltage | 100 V |
| Rated impedance | 1667 Ω |
| Speaker size | 6" |
| Magnet weight | 5.3 oz |
| Ambient temperature range | -25 to +55 °C (-13 to 131 °F) |
| Safety | acc. to EN 60065 |
| Ball-proof | acc. to DIN 18032-3 |
| Connection | 2-pole push connector |
| Dimensions (dia. x max. depth) | 199 x 89 mm (7.8 x 3.5 in) |
| Mounting cut-out dia. | 172 mm (6.5 in) |
| Colour | White (RAL 9010) |
| Weight | 990 g (2.2 lb) |

| | |
|--------------------------------|----------------------------|
| | LBC 3080/01 |
| Dimensions (dia. x max. depth) | 147 x 87 mm (5.8 x 3.4 in) |
| Colour | White (RAL 9010) |
| Weight | 360 g (0.8 lb) |

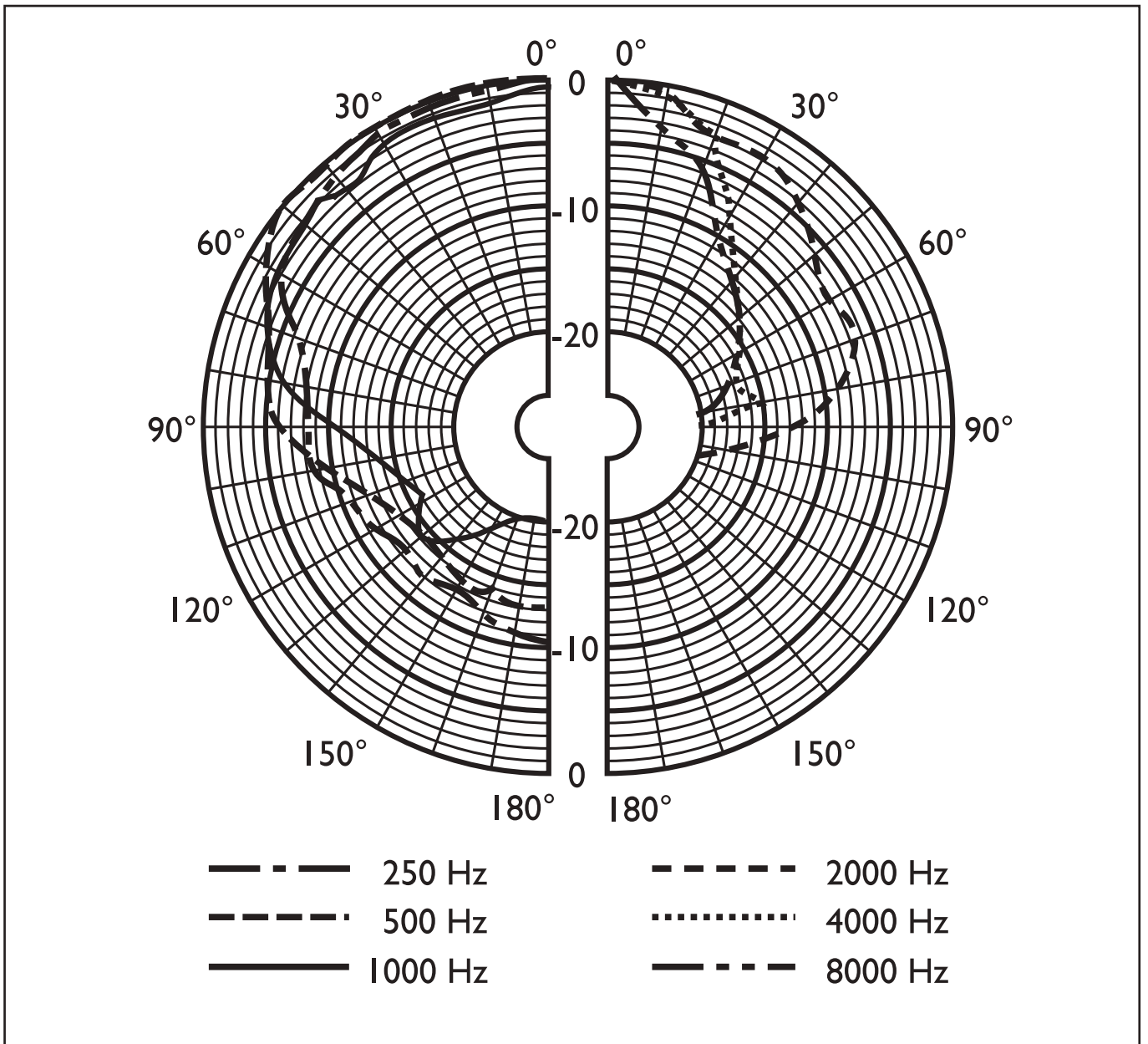


Circuit diagram



Frequency response

LBC 3090/31



Polar diagram

Bosch Security Systems B.V.

Torenallee 49

5617 BA Eindhoven

Netherlands

www.boschsecurity.com

© Bosch Security Systems B.V., 2017