

Instructions for use

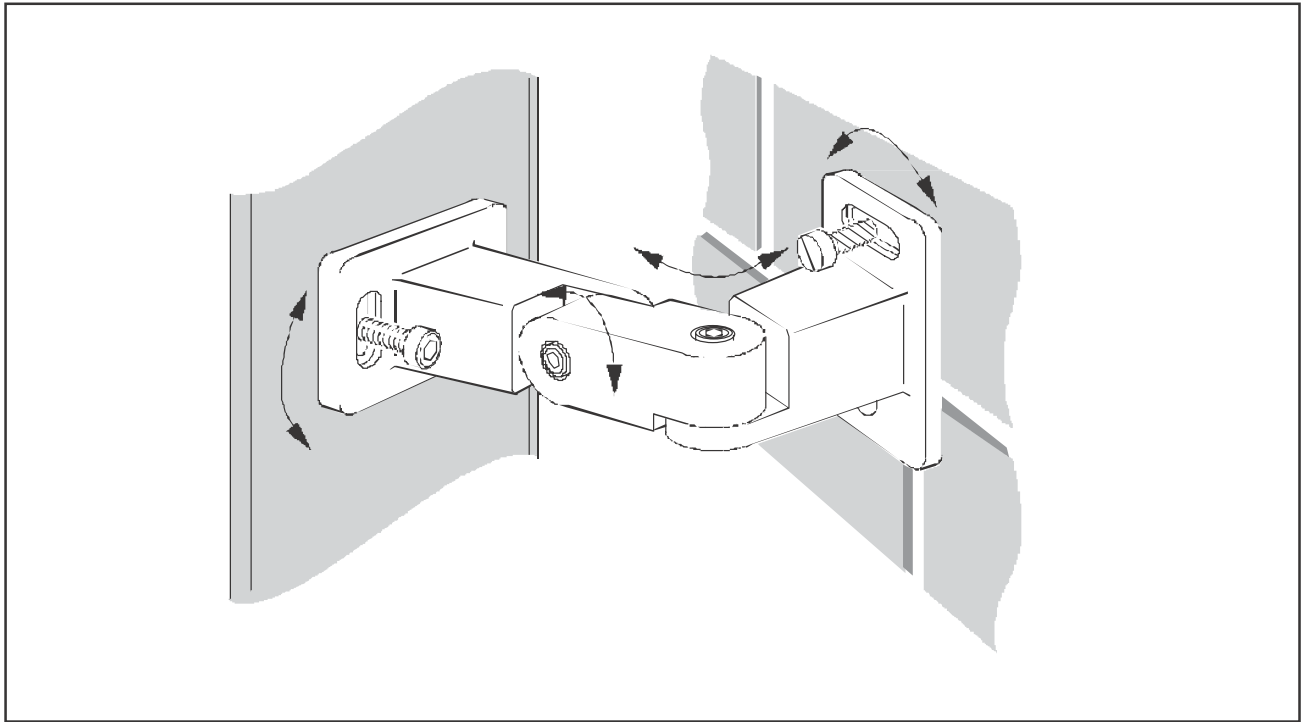
Loudspeakers



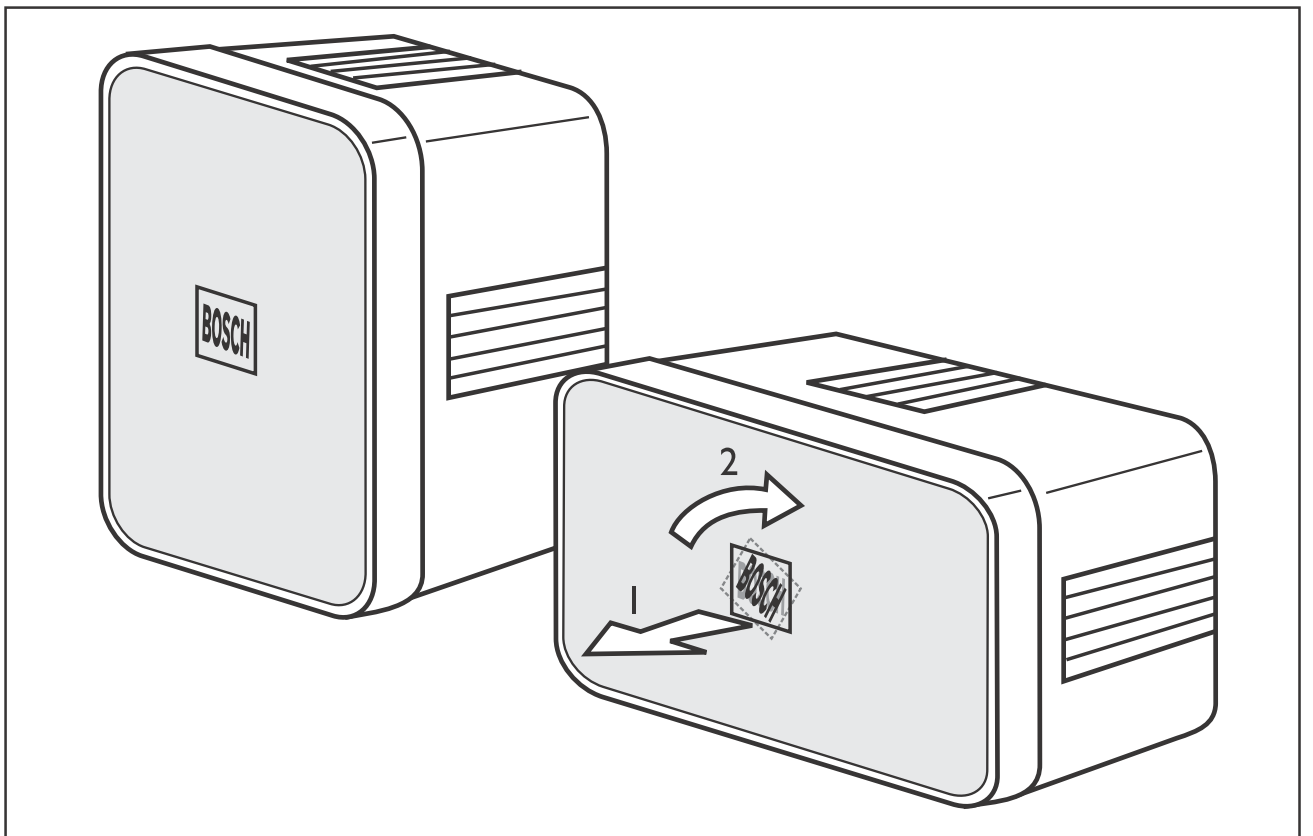
Security Systems

EN | Instructions for use
LBC3410/01
LBC3411/01

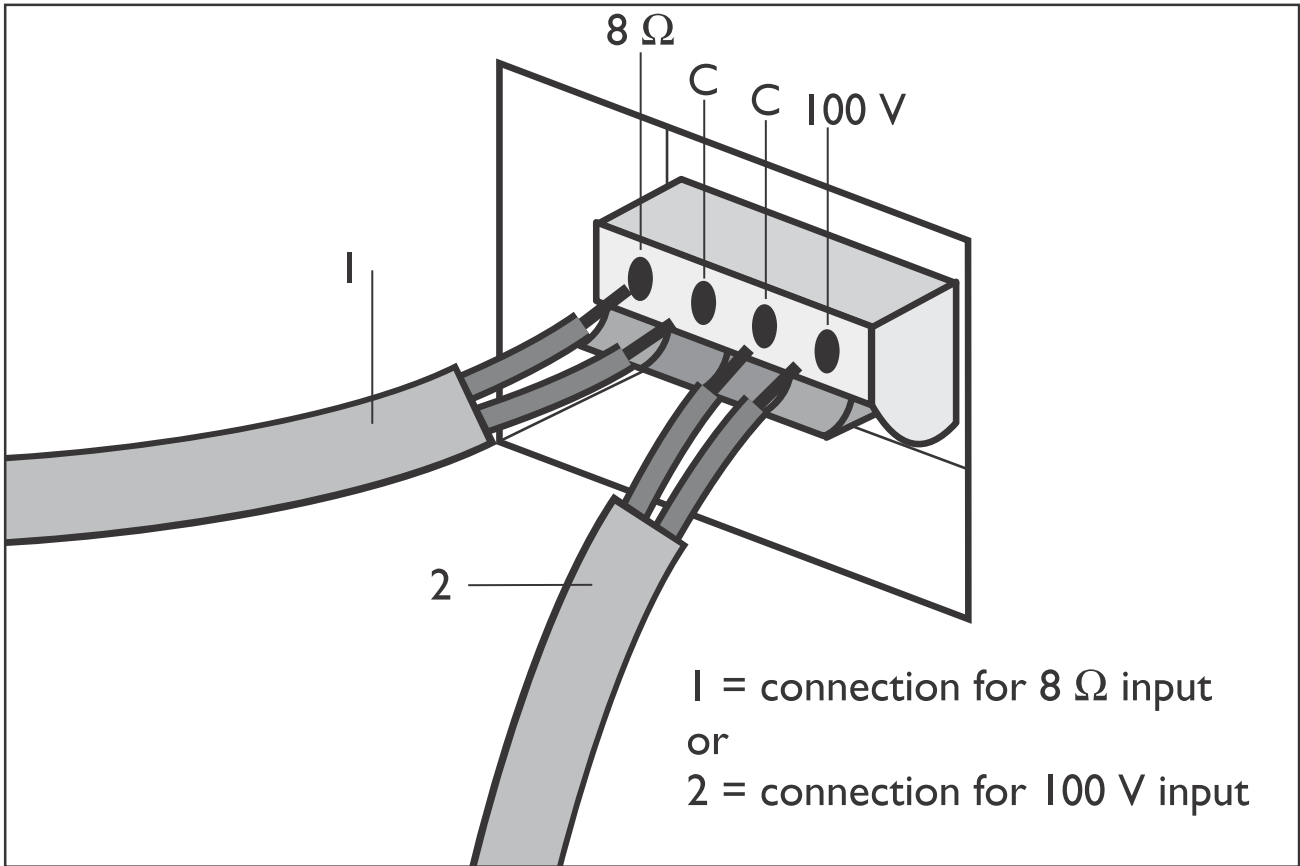
BOSCH



Adjustable mounting bracket



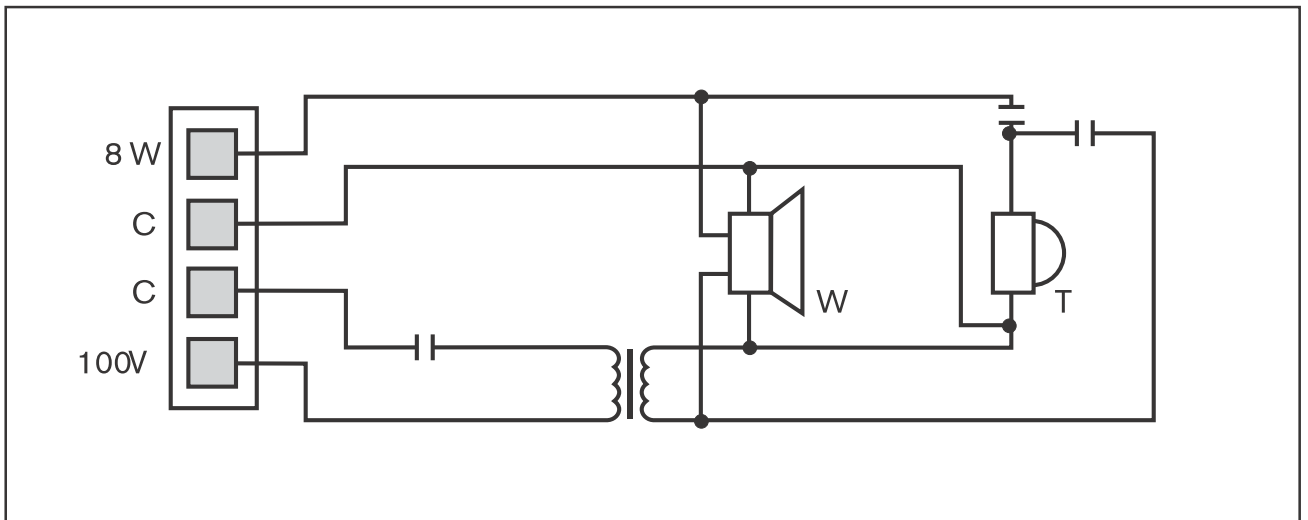
Adjustable logo plate



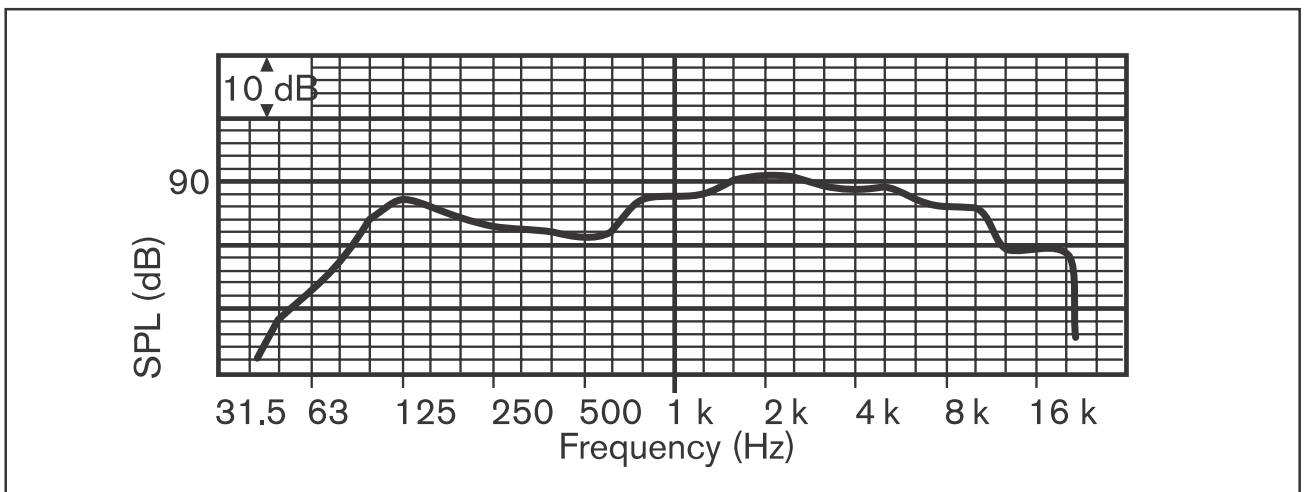
Power setting

TECHNICAL PERFORMANCE DATA ACC. TO IEC 268-5

	LBC 3410/01
Max. power	15 W
Rated power (PHC)	10 W
Sound pressure level at rated power/1 W (at 1 kHz, 1 m)	96 dB/86 dB (SPL)
Effective frequency range (-10 dB)	110 Hz to 20 kHz
Opening angle (at 1 kHz/4 kHz, -6 dB)	
horizontal	170°/130°
vertical	140°/40°
Rated voltage	100 V/8.8 V
Rated impedance	1000/8Ω
Speaker size	1"/4.5"
Magnet weight	3.5 oz/8 oz
Ambient temperature range	-25 to +55 °C (-13 to 131 °F)
Safety	acc. to EN 60065
Self-extinguishing	acc. to UL 94V0
Dimensions (H x W x D)	209.5 x 140 x 121.5 mm (8.2 x 5.5 x 4.8 in)
Colour	RAL 9010
Weight	2.1 kg (4.6 lb)

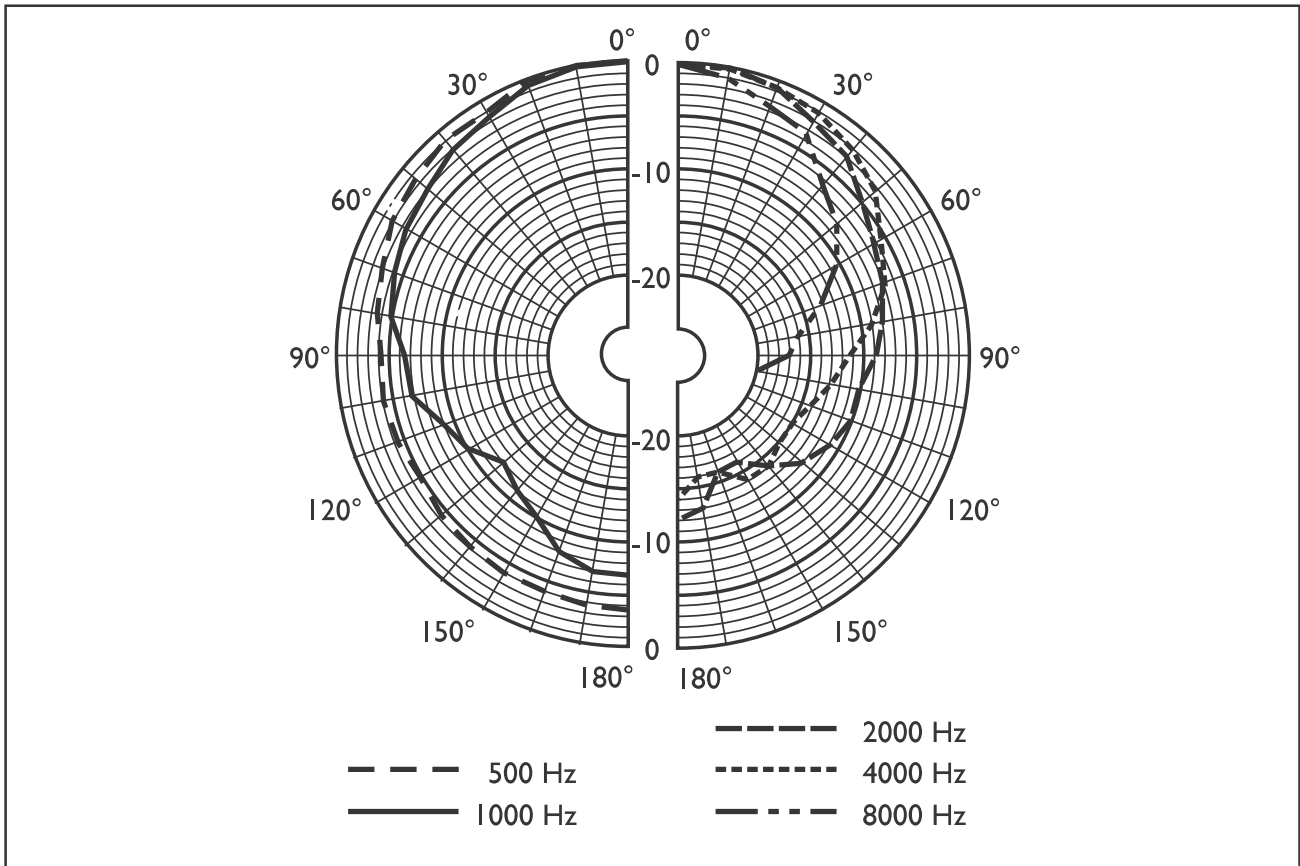


Circuit diagram

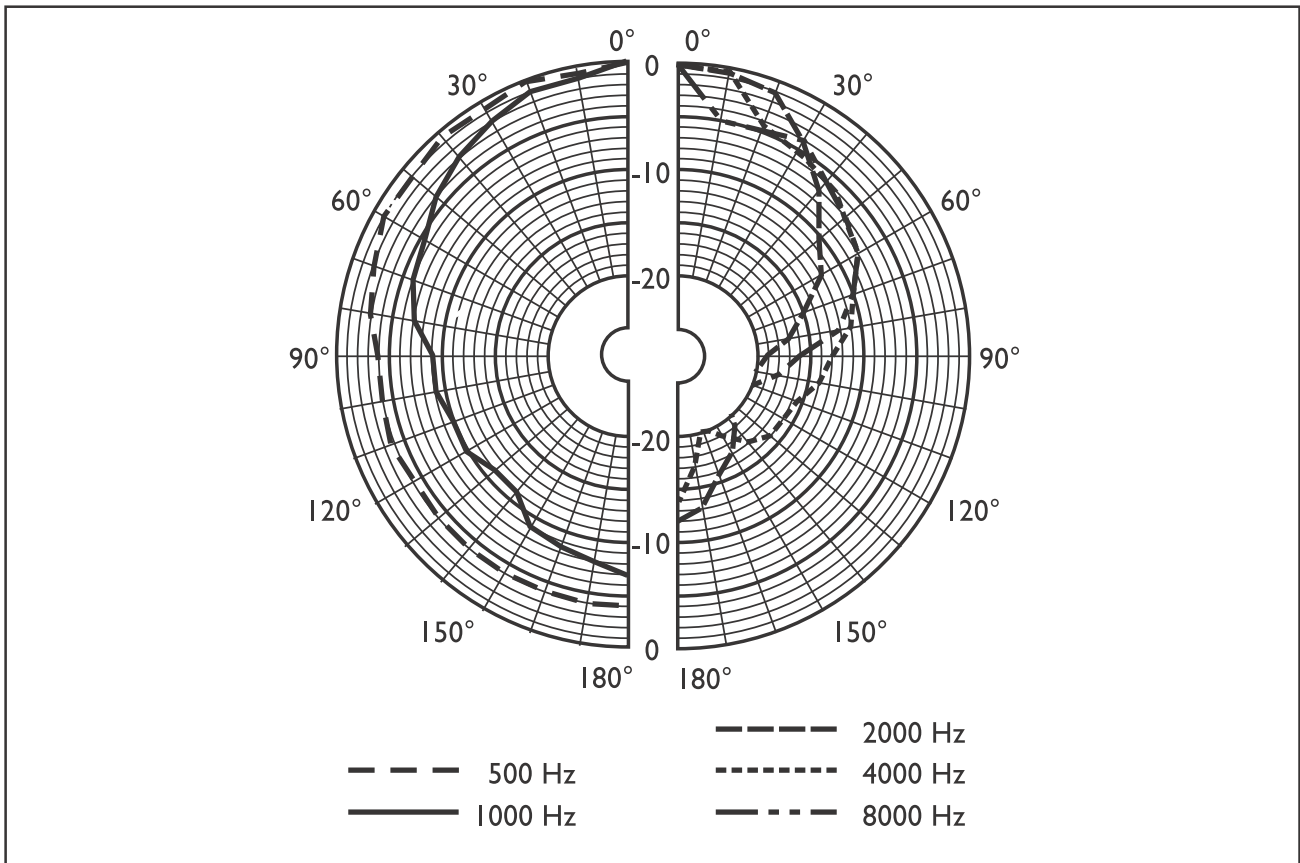


Frequency response

LBC 3410/01



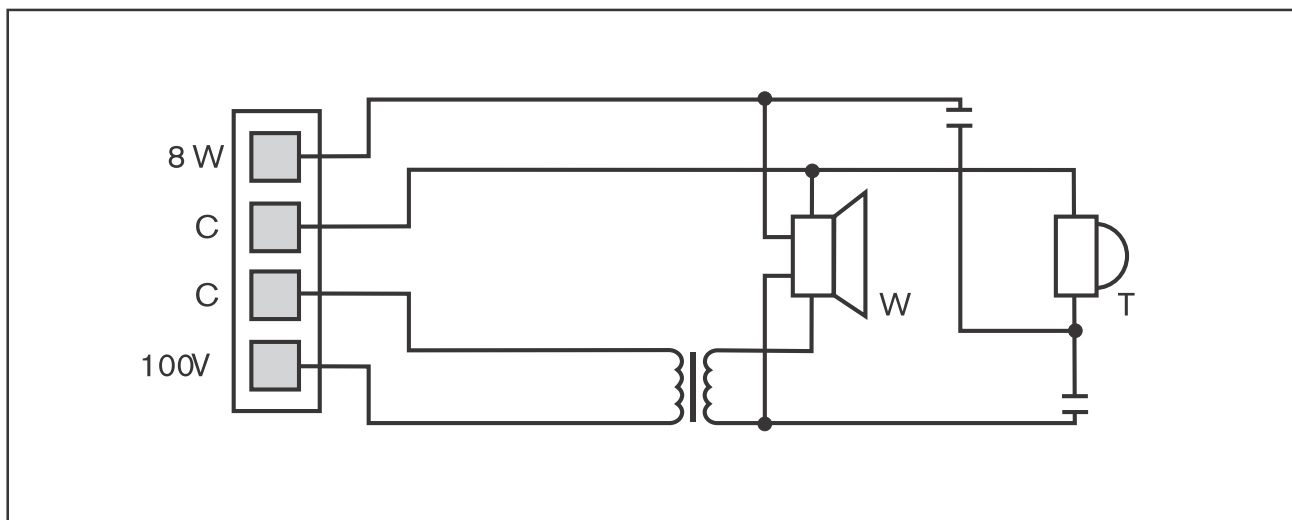
Polar diagram horizontal (measured with pink noise)



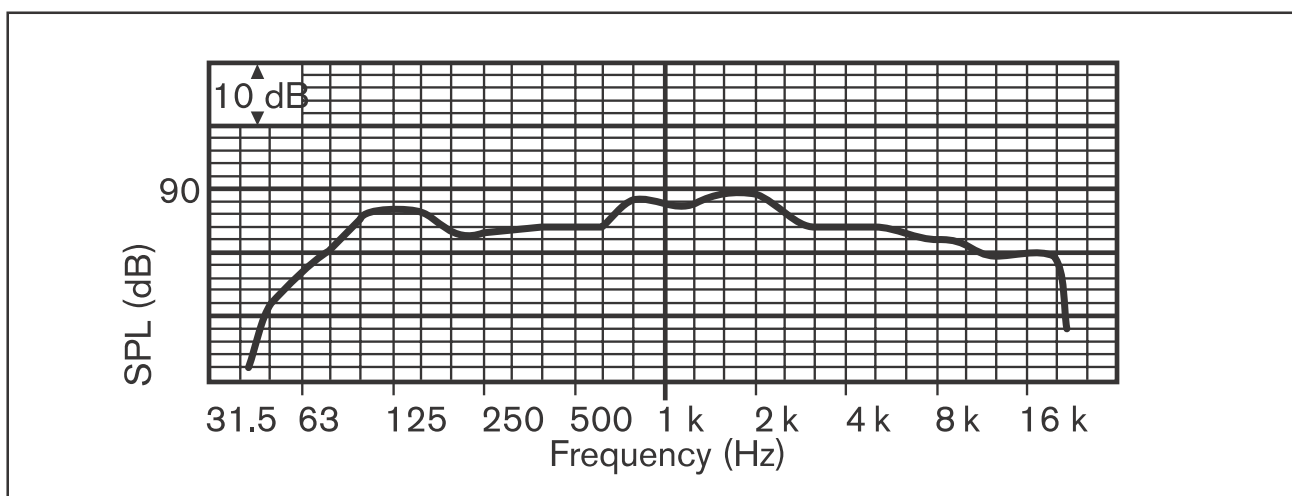
Polar diagram vertical (measured with pink noise)

TECHNICAL PERFORMANCE DATA ACC. TO IEC 268-5

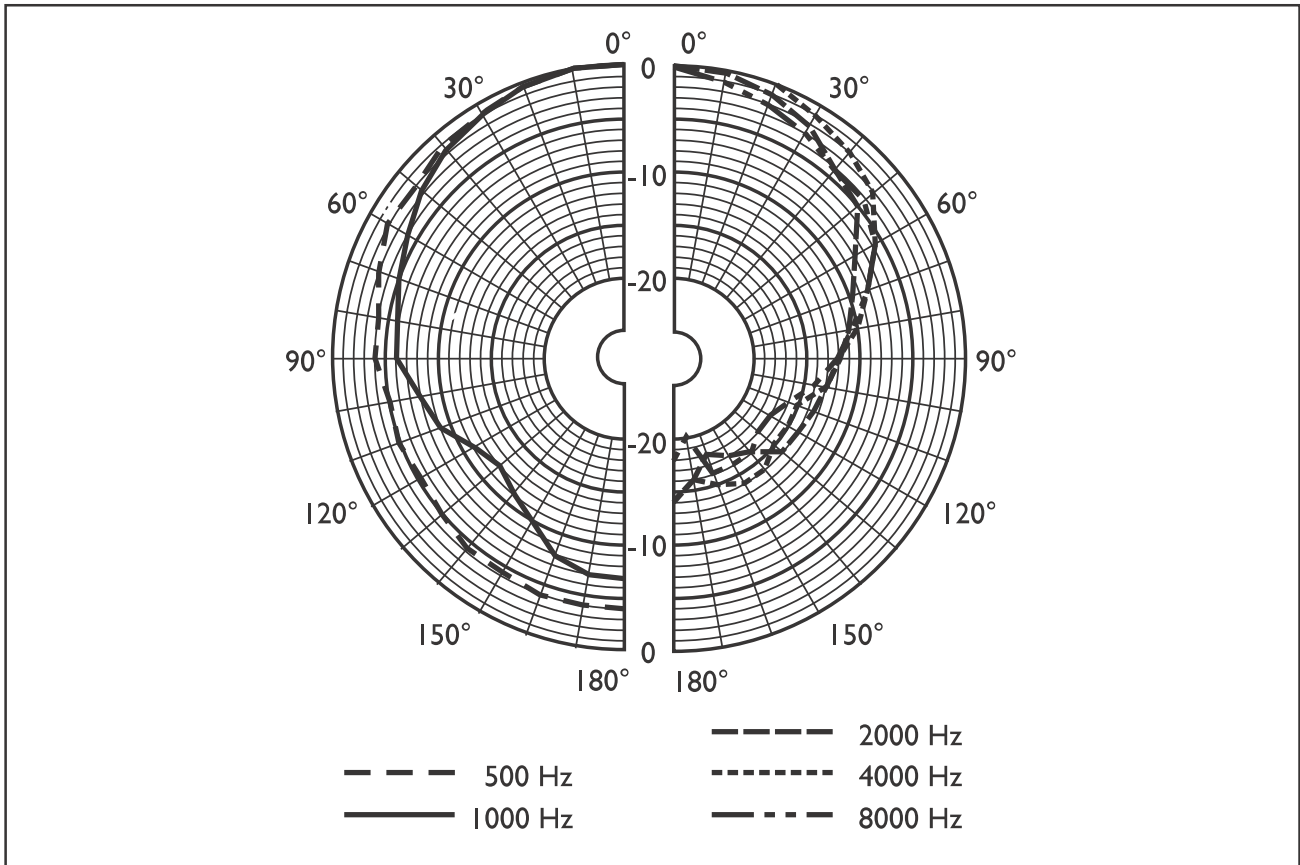
	LBC 3411/01
Max. power	40 W
Rated power (PHC)	25 W
Sound pressure level at rated power/1 W (at 1 kHz, 1 m)	102 dB/88 dB (SPL)
Effective frequency range (-10 dB)	100 Hz to 20 kHz
Opening angle (at 1 kHz/4 kHz, -6 dB)	
horizontal	180°/120°
vertical	130°/40°
Rated voltage	100 V/14.1 V
Rated impedance	400/8 Ω
Speaker size	1"/5"
Magnet weight	3.5 oz/10 oz
Ambient temperature range	-25 to +55 °C (-13 to 131 °F)
Safety	acc. to EN 60065
Self-extinguishing	acc. to UL 94V0
Dimensions (H x W x D)	230 x 155 x 126.5 mm (9.1 x 6.1 x 5 in)
Colour	RAL 9010
Weight	2.6 kg (5.7 lb)



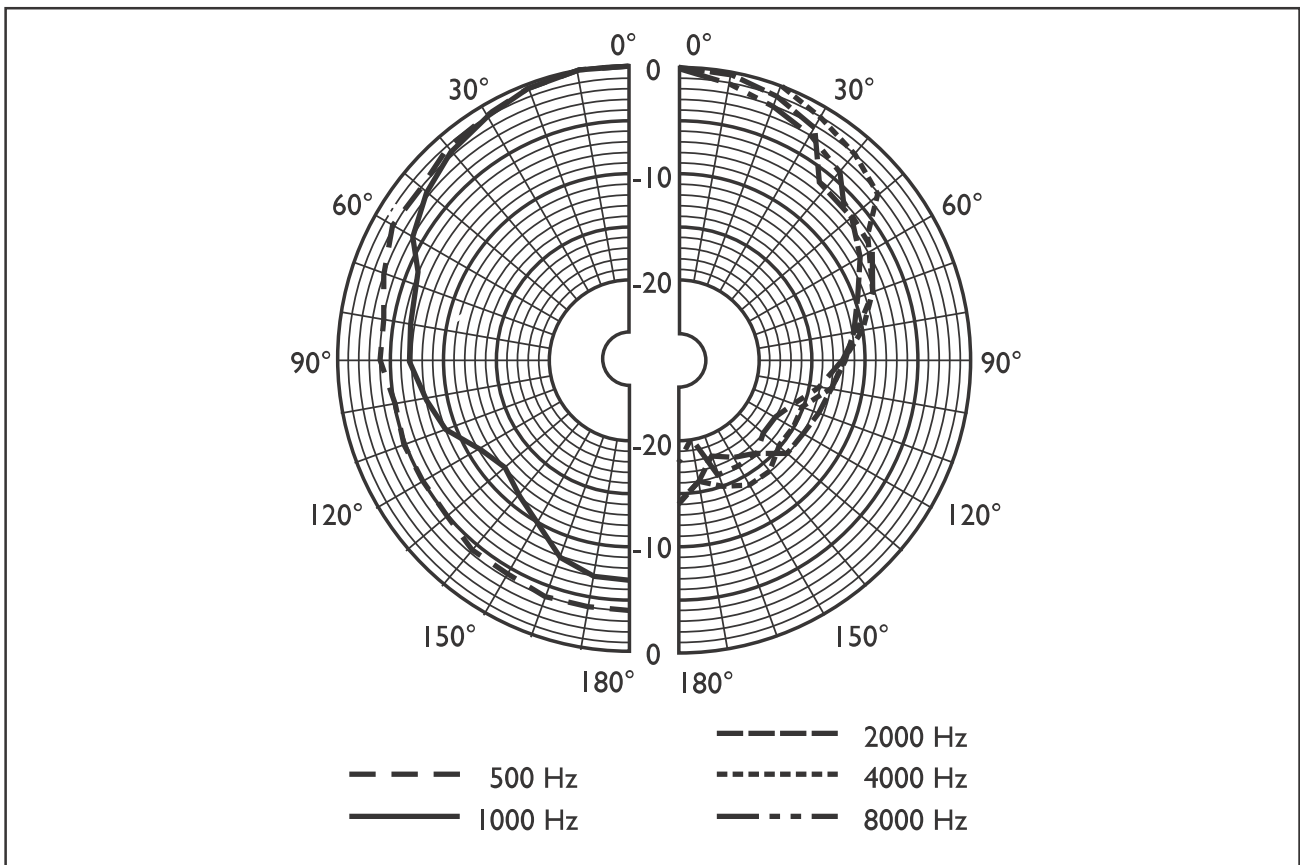
Circuit diagram



Frequency response



Polar diagram horizontal (measured with pink noise)



Polar diagram vertical (measured with pink noise)

3938 988 05611 45-03
©2003 Bosch Security Systems

BOSCH