

Plena Call Station



Security Systems

en | Quick Reference Card
PLE-1CS



BOSCH

4.1.2 Priority microphone (input 1)

The priority microphone (or a generic call station) that can be used with push to talk (PTT) should be connected to “microphone/line 1 input”. The PTT mode can be activated by setting the DIP switch (4) at the rear of the unit. Microphone/line 1 input has priority over all other microphone/line inputs.

If, however, the “Tel. emergency/100V input” receives a signal, all inputs including microphone/line 1 input will be overruled.

The microphone/line 1 input has two connectors wired in parallel:

- an XLR connector (for a 3 pole microphone), and
- a Euro style pluggable screw terminal connector.

The Euro style pluggable screw terminal connector has a trigger input, which can be used in combination with the Euro and XLR connector.

The priority microphone can be connected to the microphone/line 1 input as follows:

- XLR connector only. See figure 4.2.
- XLR connector with trigger. See figure 4.3.
- Euro connector with trigger. See figure 4.4.
- Euro connector only (without trigger).



Note

If a microphone is connected to both the XLR connector and the Euro connector for the microphone/line 1 input, the input signals will be added together.

Set the DIP switch settings next to the XLR connector for microphone/line 1, as required. See section 4.3.



Note

When connecting an unbalanced line level (200 mV) signal to the microphone/line input, connect it as follows: Signal to pin 2, pin 1 and pin 3 to ground.

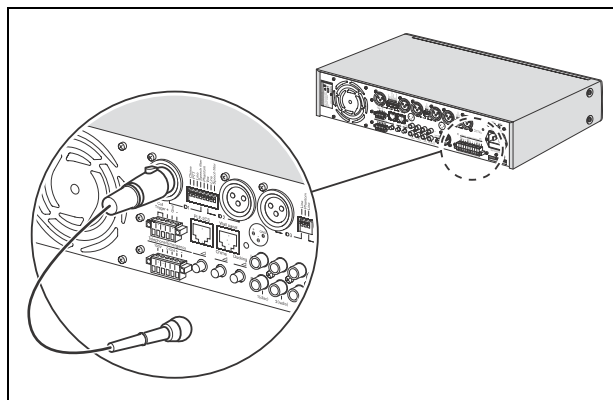


figure 4.2: XLR connector only

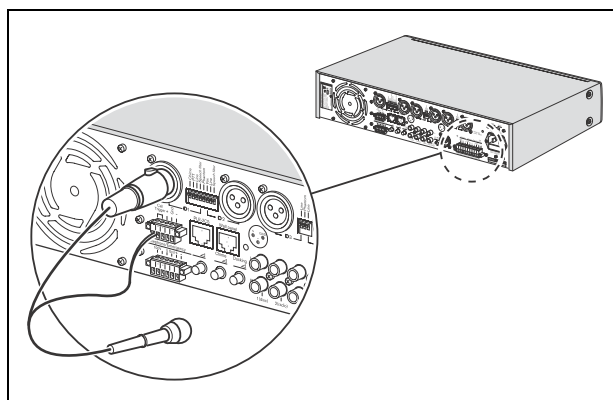


figure 4.3: XLR connector with trigger

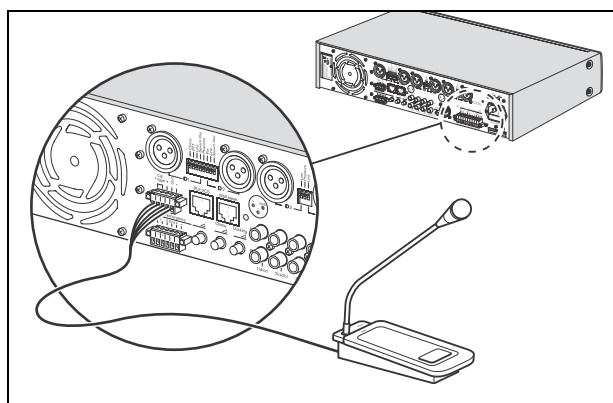
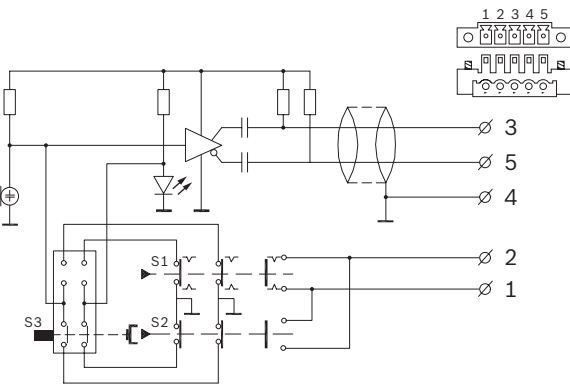


figure 4.4: Euro connector with trigger

Installation/configuration notes



Circuit diagram

Parts included

Quantity	Component
1	PLE-1CS PLENA All Call Call Station

Technical specifications

Electrical

Phantom power supply	
Voltage range	12 to 48 V
Current consumption	<8 mA

Performance

Sensitivity	0.7 mV @ 85 dB SPL (2 mV/Pa)
Maximum input sound level	110 dB SPL
Distortion	<0.6% (maximum input)
Input noise level (equiv.)	28 dB SPLA (S/N 66 dBA ref. 1 Pa)
Frequency response	100 Hz to 16 kHz
Output impedance	200 ohm

Mechanical

Base dimensions (H x W x D)	40 x 100 x 235 mm (1.57 x 3.97 x 9.25 in)
Weight	Approx. 1 kg (2.2 lb)
Color	Charcoal with silver
Stem length with mic.	390 mm (15.35 in)
Cable length	2 m (6.56 ft)

Environmental

Operating temperature	-10 °C to +45 °C (14 °F to +113 °F)
Storage temperature	-40 °C to +70 °C (-40 °F to +158 °F)
Relative humidity	<95%

Ordering information

PLE-1CS Plena All-Call Call Station

All-zone call station with 2 m cable and lockable Euro style connector.

Order number **PLE-1CS**

