



**ArenaMatch Utility**  
Small-format Foreground/Fill Loudspeakers

AMU108

# Overview

Built for zone-fill coverage or high-SPL foreground music, Bose ArenaMatch Utility loudspeakers feature similar tonal balance to ArenaMatch array modules but in compact designs. With an IP55 weather rating and the same EMB2S compression driver as ArenaMatch arrays, ArenaMatch Utility loudspeakers ensure consistent and intelligible high-level sound for any outdoor venue.

## Product Features

**Deploy as zone-fill to support ArenaMatch arrays systems,** delivering powerful, intelligible sound and ensuring consistent tonal balance with EMB2S compression drivers in every speaker.

**Deploy for high-level foreground music** in any outdoor venue.

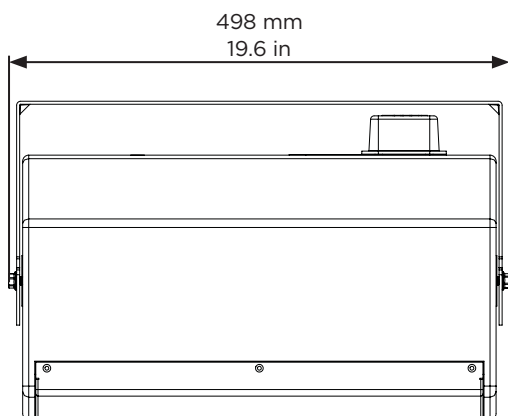
**Install outdoors** with an IP55 weather rating, three-layer stainless steel grille, water-resistant coating on woofer cone, industrial polyurethane exterior coating, and molded cover to protect inputs.

**Adapt to a variety of configurations** — all models ship standard with 70/100V transformer inputs and passive crossover with optimized filters for each transducer for more consistent frequency and polar response.

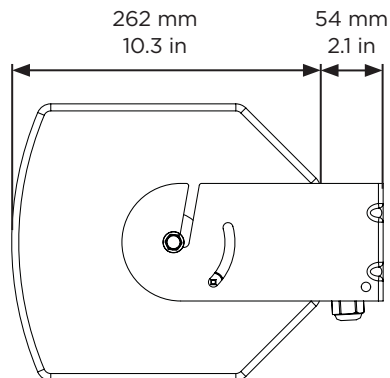
**Streamline the design process** by combining with complementary Bose Professional products, such as PowerMatch amplifiers and ControlSpace DSP.

**Mount easily with included stainless-steel U-bracket;** rear enclosure panel also includes M8 threaded inserts to accept third-party accessory mounting bracket.

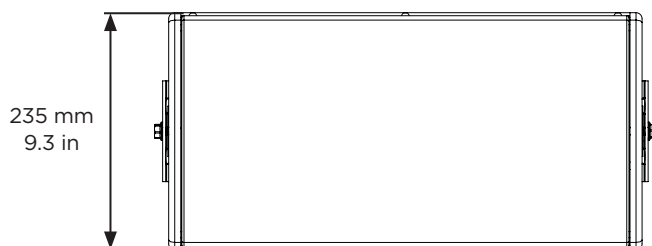
Top View



Side View

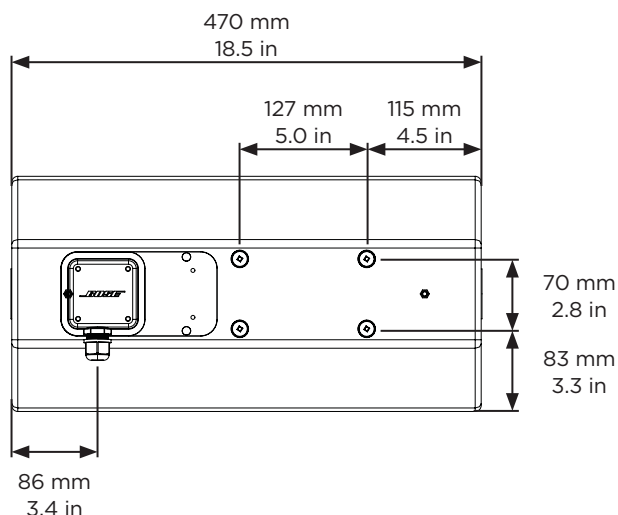


Front View



Rear View

No Bracket



# AMU108

System Performance				
<b>Frequency Response (<math>\pm 3</math> dB) <sup>1</sup></b>	90 Hz to 16 kHz			
<b>Frequency Range (-10 dB)</b>	80 Hz to 16 kHz			
<b>Nominal Coverage Pattern (H <math>\times</math> V)</b>	90° $\times$ 60° (rotatable high-frequency horn)			
<b>Recommended High-pass Filter</b>	80 Hz with minimum 12-dB/octave filter			
<b>Crossover</b>	Passive (1.4 kHz crossover frequency)			
<b>70V/100V transformer tap settings</b>	70V: 5W, 10W, 20W, 40W, 80W; 100V: 10W, 20W, 40W, 80W			
	Bose Extended Lifecycle Test <sup>2</sup>		AES Transducer Test <sup>3</sup>	
<b>Power Handling, long-term continuous</b>	200 W		250 W	
<b>Power Handling, peak</b>	800 W		1000 W	
	Free Field	Wall/Ceiling	Free Field	Wall/Ceiling
<b>Sensitivity (SPL / 1 W @ 1 m) <sup>4</sup></b>	91 dB	93 dB	91 dB	93 dB
<b>Calculated Maximum SPL @ 1 m <sup>5</sup></b>	114 dB	116 dB	115 dB	117 dB
<b>Calculated Maximum SPL @ 1 m, peak</b>	120 dB	122 dB	121 dB	123 dB
Transducers				
<b>Low Frequency</b>	1 $\times$ Bose LF8 high-excursion 8-inch woofer (2-inch voice coil)			
<b>High Frequency</b>	1 $\times$ Bose EMB2S titanium-diaphragm, neodymium compression drivers (2-inch voice coil)			
<b>Nominal Impedance</b>	8 $\Omega$			
Physical				
<b>Enclosure Material</b>	Exterior-grade birch plywood			
<b>Finish</b>	Two-part polyurethane coating, black or white			
<b>Grille</b>	Powder-coated perforated stainless steel, acoustic foam, stainless steel mesh			
<b>Environmental</b>	Rated for direct-exposure outdoor installations (IEC 60529: IP55)			
<b>Connectors</b>	1 $\times$ barrier strip (accepts 10 to 18 wire gauge)			
<b>Suspension/Mounting</b>	3 $\times$ M8 threaded inserts for U-bracket (per side); 4 $\times$ M8 threaded inserts on rear surface (127 $\times$ 70 mm, 4-bolt pattern)			
<b>Dimensions (H <math>\times</math> W <math>\times</math> D) - millimeters</b>	235 $\times$ 498 $\times$ 316 with U-bracket			
<b>Dimensions (H <math>\times</math> W <math>\times</math> D) - inches</b>	9.3 $\times$ 19.6 $\times$ 12.4 with U-bracket			
<b>Net Weight (loudspeaker only)</b>	10.6 kg (23.3 lb)			
<b>Net Weight (with U-bracket)</b>	12.6 kg (27.7 lb)			
<b>Shipping Weight</b>	14.2 kg (31.2 lb)			
<b>Accessories</b>	Included steel U-bracket; optional pan-and-tilt bracket			

## Footnotes

1. Frequency response and range measured on-axis in anechoic environment with recommended bandpass and EQ.
2. Bose extended-lifecycle test using pink noise filtered to meet IEC268-5, 6-dB crest factor, 500-hour duration.
3. AES standard 2-hour duration with IEC system noise.
4. Sensitivity measured in anechoic environment with recommended bandpass and EQ.
5. Maximum SPL calculated using sensitivity and power ratings, exclusive of power compression.



830462-0010

©2018 Bose Corporation, All rights reserved.  
Framingham, MA 01701-9168 USA  
PRO.BOSE.COM  
AM830462 Rev. 00  
December 2018

