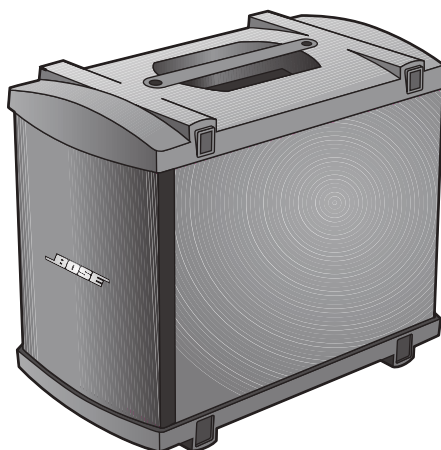




B1 Bass Module

Installation Guide



B1 BASS MODULE

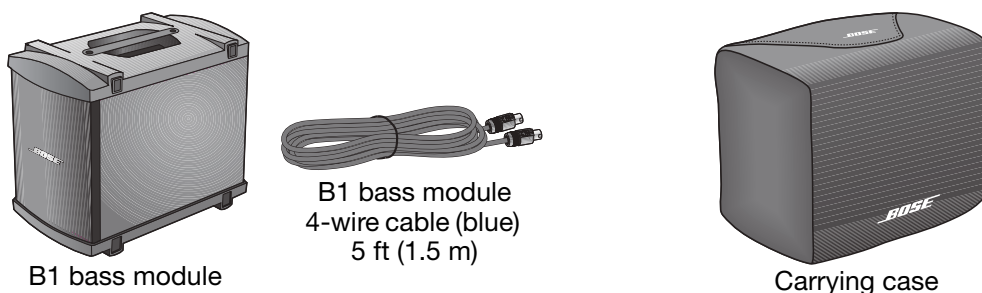
Introduction

Thank you for purchasing the Bose® B1 bass module to add to your L1 model I or L1™ model II system. The bass module output of the power stand can adequately drive one or two B1 bass modules. Up to two more B1 bass modules can be added to your system by using a Model A1 PackLite™ power amplifier connected to the bass line output of the power stand.

Carefully unpack the carton and check for the items shown in Figure 1. Save all packing materials, which provide the safest way to transport your system. If an item appears to be damaged, do not attempt to use it. Notify Bose or your authorized Bose dealer immediately.

Figure 1

Carton contents



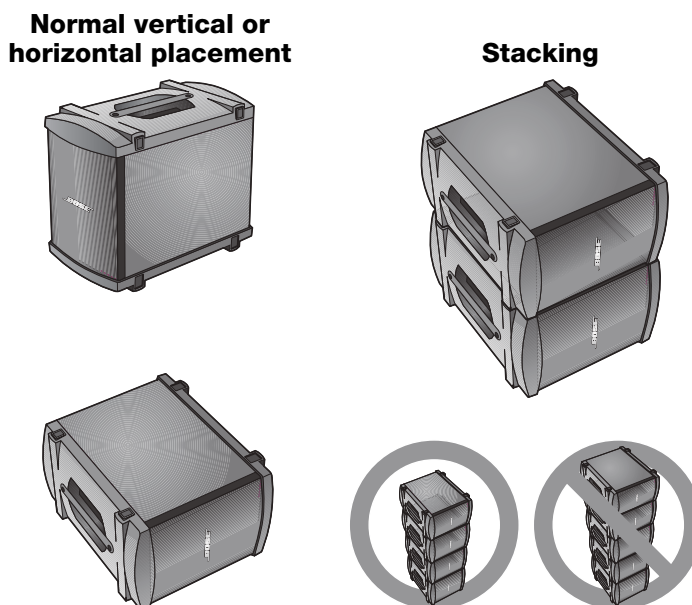
For more information on using the B1 module, please refer to the owner's guide that came with your system, or visit www.Bose.com/musicians.

Positioning the B1 bass module

The B1 bass module can be placed vertically or horizontally on the floor next to the power stand. When placed horizontally, you can build a stack of up to four modules (Figure 1).

Figure 2

B1 placement options



CAUTION: Do not connect more than two B1 bass modules to the **Bass Module Out** connector on the power stand. Driving more than two B1 bass modules from this output will improperly load the power stand amplifier, resulting in less than full system performance.

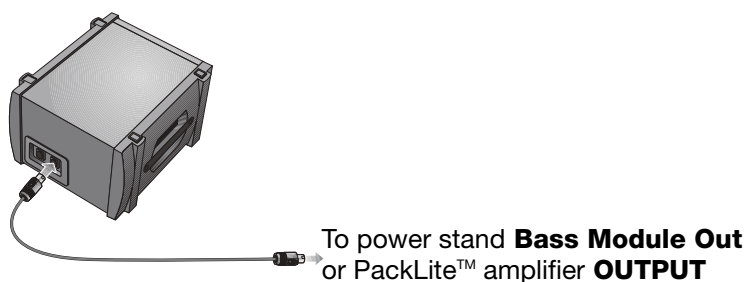
Connecting one B1 bass module

1. Plug one end of the B1 bass module cable into one of the B1 connectors (Figure 3). Rotate the plug clockwise to lock it in place. Listen for a soft click to ensure the connector is locked.
2. Plug the other end of the cable into the **Bass Module Out** connector on the power stand. Rotate the plug clockwise to lock it.

🎵 **Note:** To disconnect a B1 cable, slide back the metal tab on the body of the plug, rotate the plug counterclockwise and pull it out of the connector.

Figure 3

Bass module connections



⚠️ CAUTIONS:

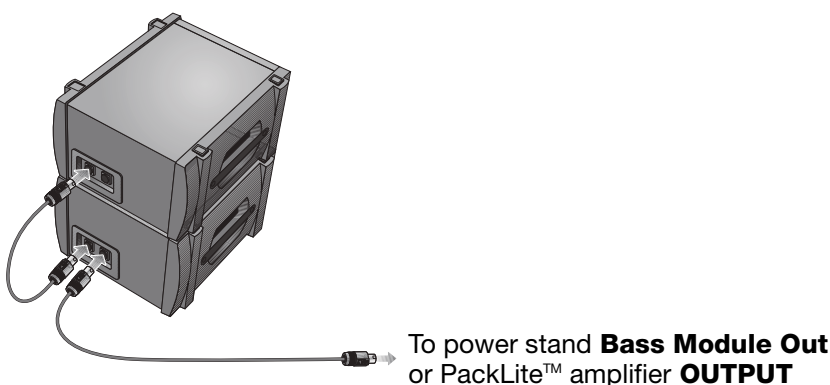
- DO NOT connect a B1 bass module to two power stands at the same time.
- DO NOT connect any bass module other than the B1 to the power stand.
- Use only the supplied blue B1 bass module 4-wire cable to connect the B1 bass module to the power stand. The power stand uses the signals on two of the wires to automatically sense how many B1 bass modules are connected. DO NOT substitute the supplied cable with a 2-wire speaker cable.

Connecting a second B1 bass module

1. Plug one end of the second B1 bass module cable into the unused connector on the first B1 bass module.
2. Insert the other end of the cable into one of the connectors on the second B1 module.

Figure 4

Connections for two bass modules



Technical Information

Dimensions: 15"H x 10¼"W x 17¾"D (38.0 cm x 26.0 cm x 45.0 cm)

Weight: 25.1 lb (11.4 kg)

Impedance: 8 ohms



This product conforms to the EMC Directive 89/336/EEC and to the Low Voltage Directive 73/23/EEC. The complete Declaration of Conformity can be found at www.Bose.com/static/compliance/index.html.



303154

BOSE[®]
Better sound through research[®]

©2006 Bose Corporation, The Mountain
Framingham, MA 01701-9168 USA
AM303154 Rev.00
www.Bose.com/musicians