

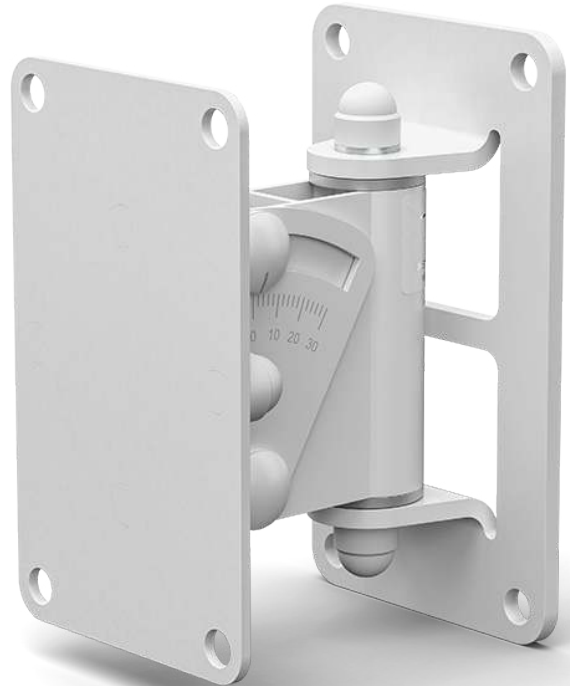
**BOSE**

**PROFESSIONAL**

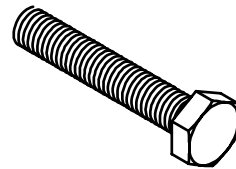
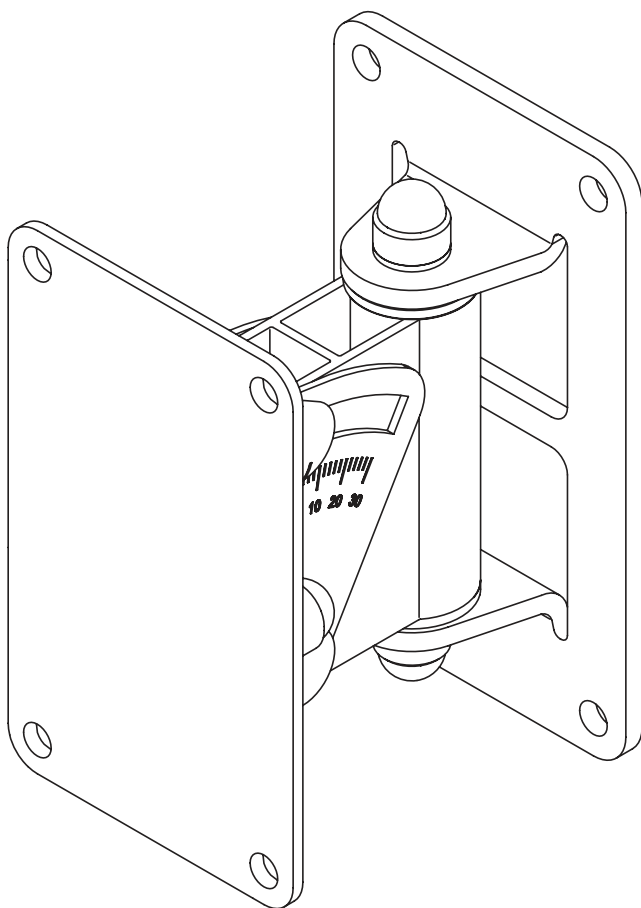
# RMUBRKT1 & WBPWR-50

## Pan-and-tilt Bracket

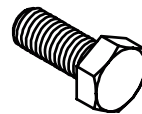
---



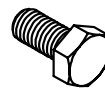
# Package Contents



M8 × 45 mm (×4)  
**RMUBRKT1  
(Black)**



M8 × 20 mm (×4)  
**RMUBRKT1  
WBPWR-50**



M6 × 12 mm (×2)  
**WBPWR-50**



M8 (×8)  
**RMUBRKT1 (Black)**  
(×4)  
**RMUBRKT1 (White)  
WBPWR-50**



M6 (×2)  
**WBPWR-50**

## Installation Instructions



**CAUTION:** Before installing this product, please read all safety warnings and cautions.

The RMUBRKT1 is intended for indoor use only.  
The WBPWR-1 is intended for outdoor use.

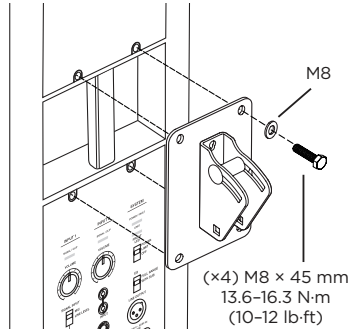
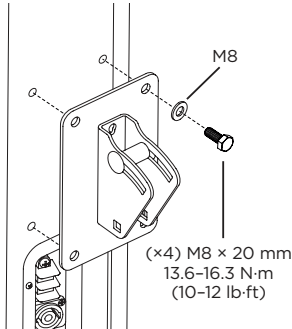
**Note:** When choosing an installation location, at least two of the mounting bracket's attachment points must be secured to a support structure. Attachment points not secured to a support structure must be secured using appropriate hardware for the installation. Choose fasteners that are consistent with all local building codes and requirements.

- Unscrew the bolt that secures the loudspeaker holder to the bracket and remove the loudspeaker holder. See Figure 4 to determine if the mounting plate is required for your installation and adjust the mounting plate accordingly.
  - Use this orientation for vertical installations.
  - Use this orientation for horizontal installations.
- Mark four drill holes and drill four holes into the wall.
- Secure the bracket to the wall using four screws (use M8 or 5/16-inch sized screws). **Note:** Choose appropriate fasteners to support the weight of the loudspeaker (see your loudspeaker installation guide for product weight).
- Attach the mounting plate or loudspeaker holder to the loudspeaker using the necessary screws (see Figure 4 for the applicable loudspeaker).
- Attach the loudspeaker holder onto the bracket and screw the bolt through the holder to secure the holder to the bracket.
- Adjust the tilt of the loudspeaker by loosening the tilt bolts and adjusting the loudspeaker.
- Adjust the pan of the loudspeaker by loosening the pan bolts and adjusting the loudspeaker.

4

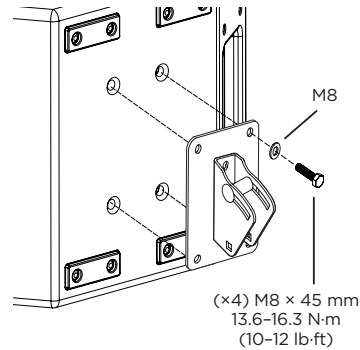
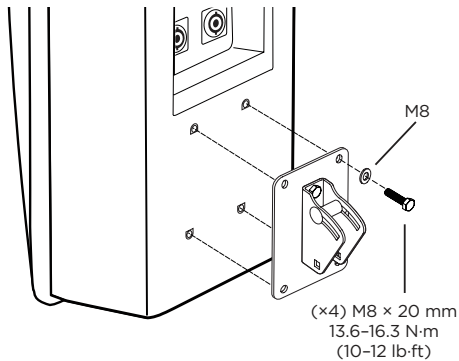
RMU108 / 206 / 208  
AMU108 / 206 / 208

F1 Model 812



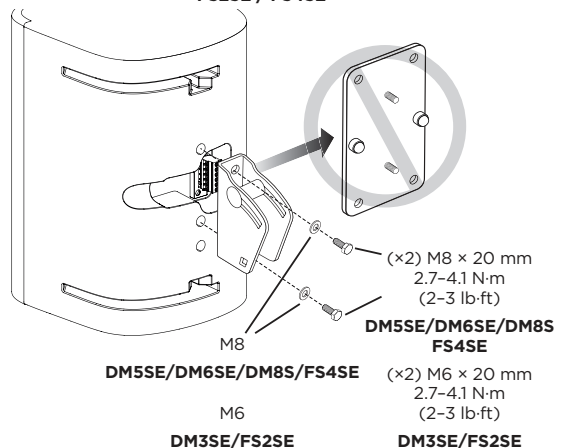
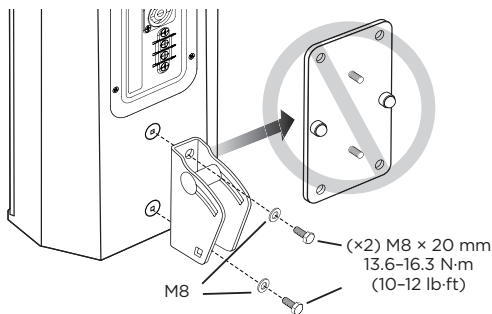
Panaray 402 Series IV

AMM108

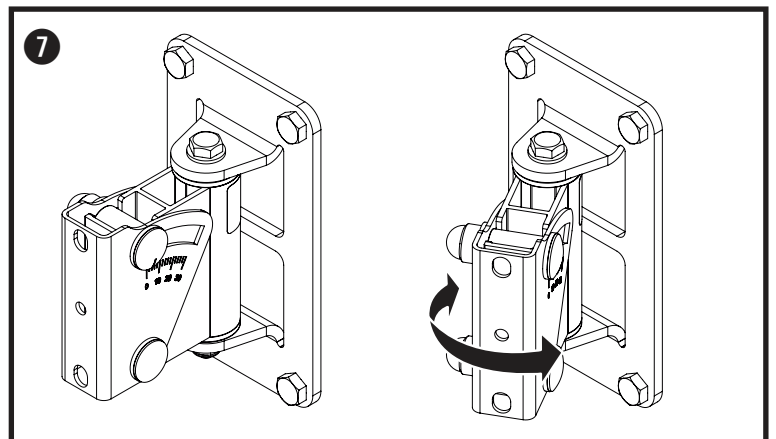
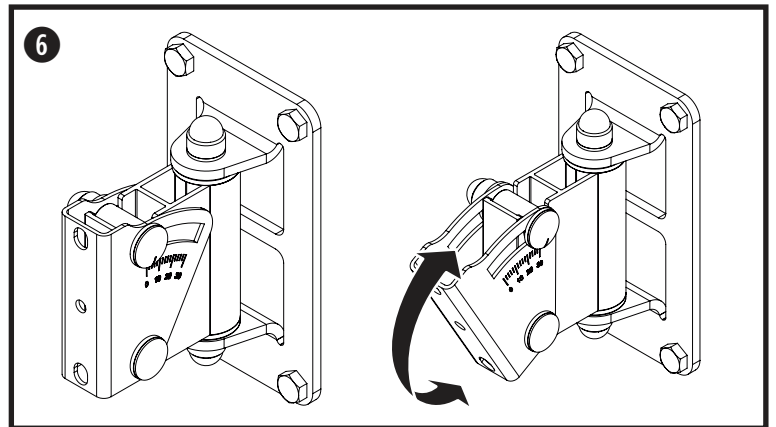
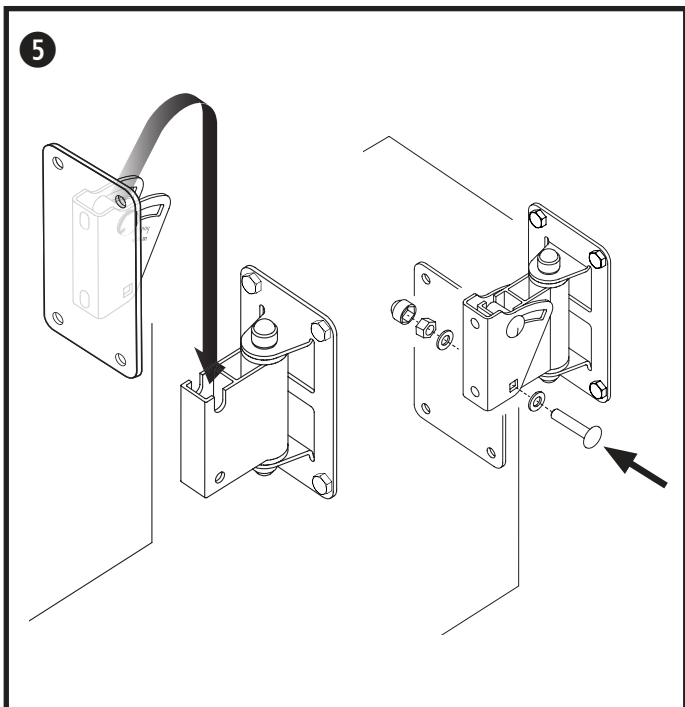
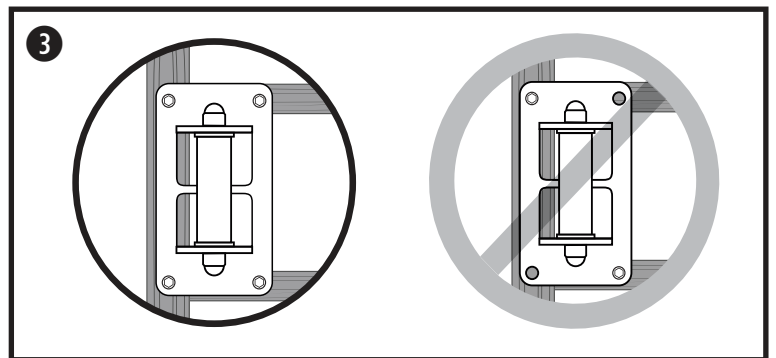
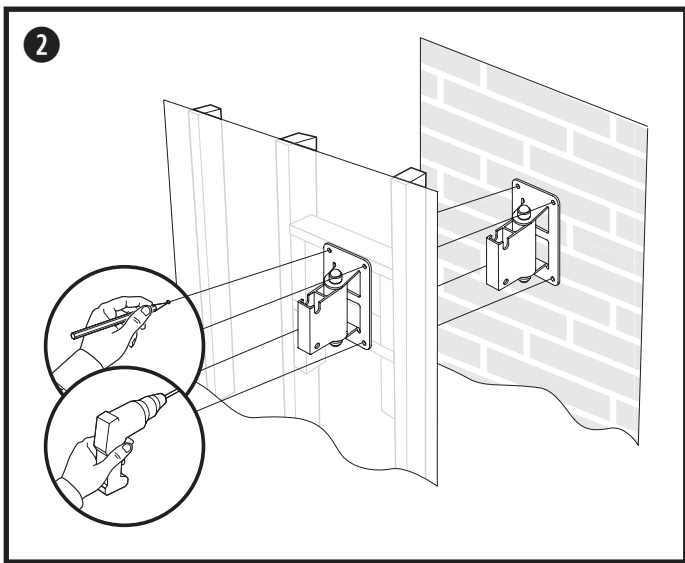
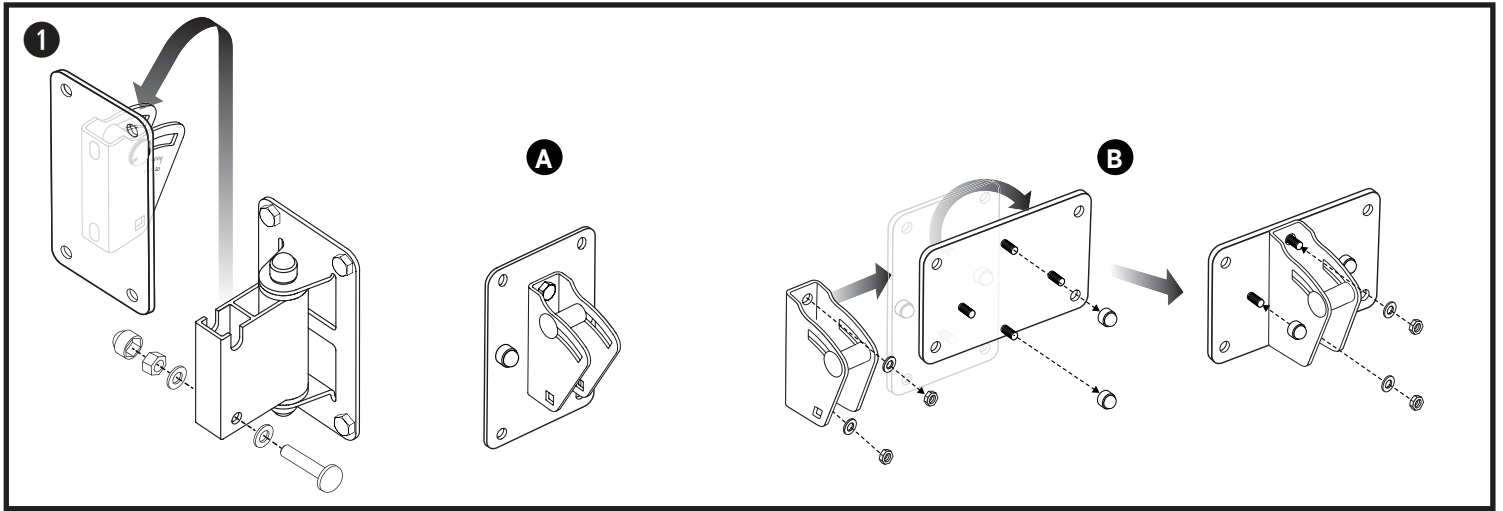


RMU105  
AMU105

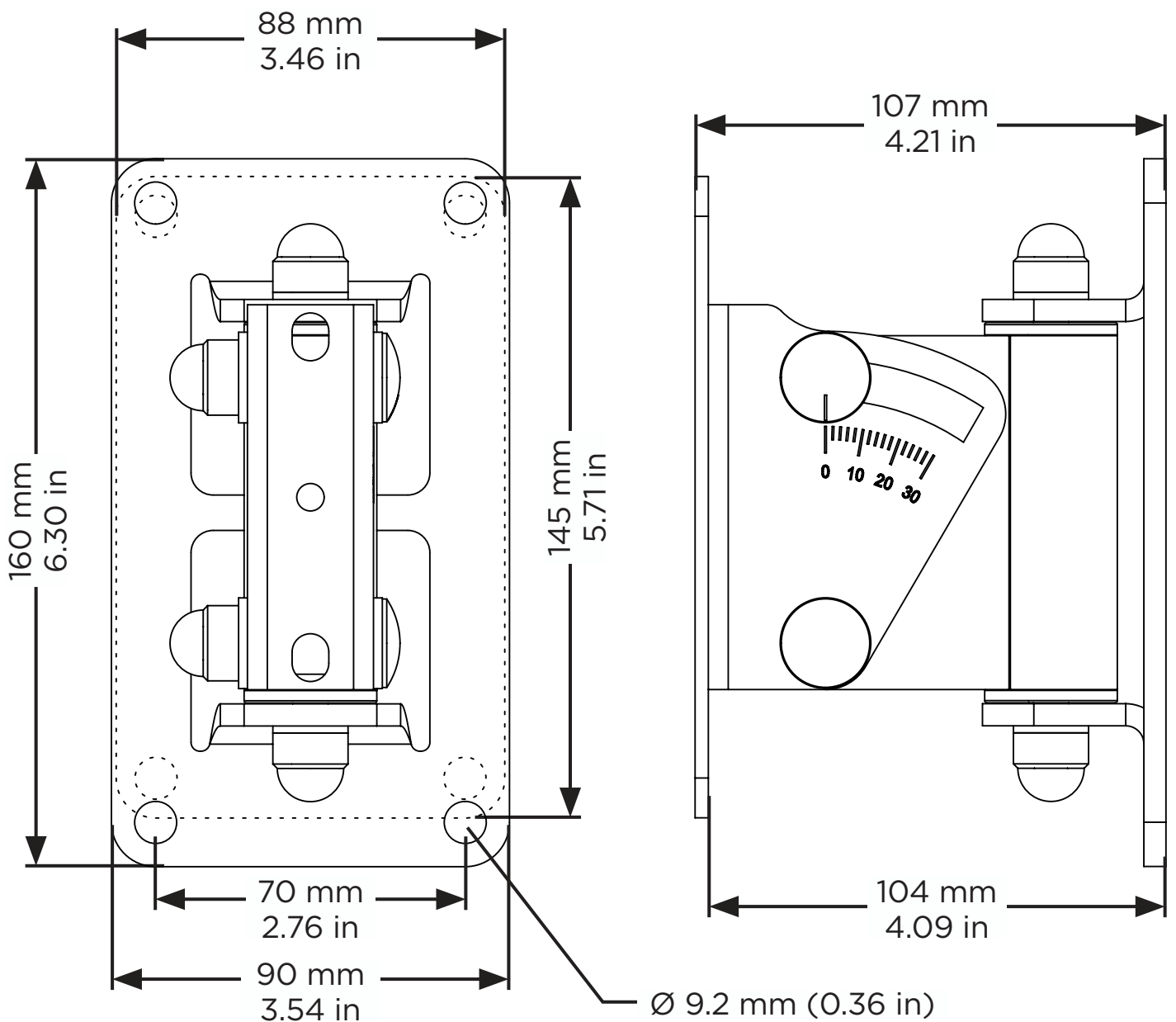
DM3SE / DM5SE  
DM6SE / DM8S  
FS2SE / FS4SE



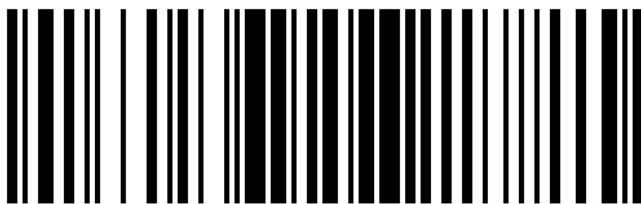
# Installation Figures



# Product Dimensions



©2020 Bose Corporation, All rights reserved.  
Framingham, MA 01701-9168 USA  
PRO.BOSE.COM  
AM767461 Rev. 03  
August 2020



767461-0010

