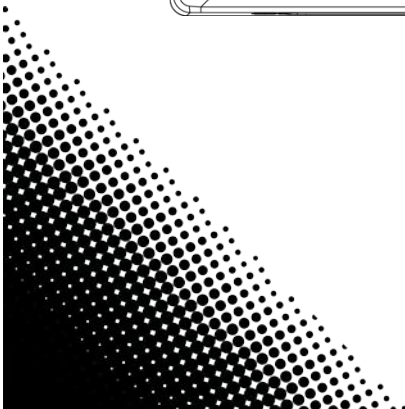
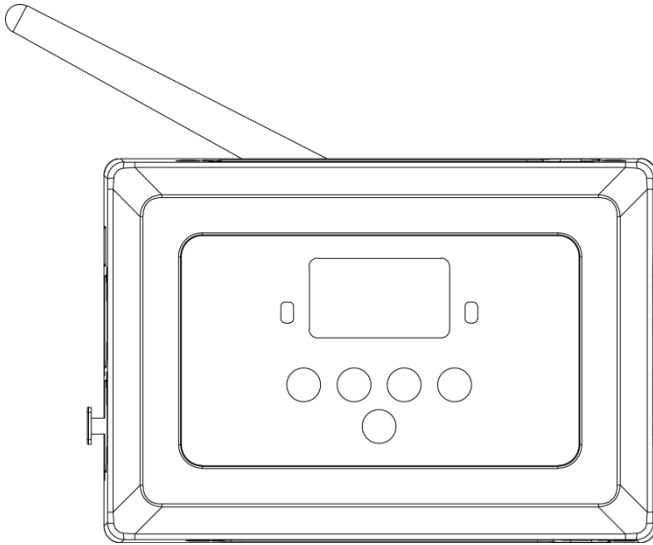




Quick Reference Guide



About this Guide The D-Fi™ Hub Quick Reference Guide (QRG) has basic product information such as mounting and programming options. For more information, download the User Manual from the Chauvet website: <http://www.chauvetlighting.com/product-manuals-literature/>.

Disclaimer The information and specifications contained in this QRG are subject to change without notice.

Safety Notes These Safety Notes include important information about installation, use, and maintenance.



- Always connect the product to a grounded circuit.
- Make sure the power cord is not crimped or damaged.
- Always disconnect the product from the power source before cleaning it.
- Never disconnect the product from the power source by pulling or tugging on the cord.
- If mounting the product overhead, make sure there is adequate support for the product's weight and always secure the product using a safety cable.
- Make sure there are no flammable materials close to the product when it is operating.
- Avoid direct eye exposure to the light sources while the product is on.
- Do not touch the product's housing when the product is operating because the housing can be very hot.



- The product is not intended for permanent installation.
- The product is for indoor use only! It is rated at IP20.
- To prevent risk of fire or shock, do not expose the product to rain or moisture.
- Always make sure that the voltage of the power source to which the product is connected is within the range stated on the label or rear panel of the product.
- Never connect the product to a dimmer or rheostat.
- Always install the product in a location with adequate ventilation, and leave at least 20 in (50 cm) between the product and adjacent surfaces.
- The maximum ambient temperature (Ta) in which the product can be used is 104 °F (40 °C). Do not operate the product at higher temperatures.
- Be sure that no ventilation slots on the product's housing are blocked.
- Never carry the product by the power cord or any moving part.
- In the event of a serious operating problem, stop using the product immediately.
- Never try to repair the product. Repairs carried out by unskilled people can lead to damage or malfunction. Contact the nearest authorized technical assistance center.
- To eliminate wear and improve its lifespan, during periods of non-use completely disconnect from power via breaker or by unplugging it.

Contact

- From outside the U.S., UK, Ireland, Mexico, or Belgium, contact the distributor of record to request support or return a product.
- From inside the U.S., UK, Ireland, Mexico, or Belgium, use the information in [Contact Us](#) at the end of this QRG.

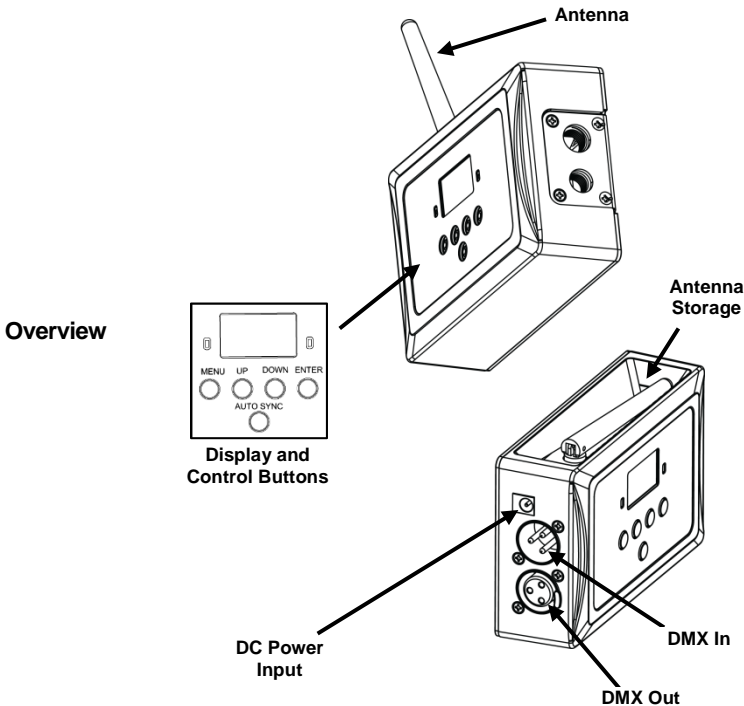
- What is Included**
- D-Fi™ Hub
 - Power Supply
 - Warranty card
 - Quick Reference Guide

To Begin Carefully unpack the product and check that all the parts are in the package, and are in good condition.

If the box, or any of the contents, appear damaged from shipping, or show signs of mishandling, save all packaging and file a claim with the carrier immediately, do not notify Chauvet. Failure to report damage to the carrier immediately, or failure to have all packaging available for inspection, could invalidate your claim.

For other issues, such as missing components or parts, damage not related to shipping, or concealed damage, file a claim with Chauvet within 7 days of delivery. For information on contacting Chauvet, see the [Contact Us](#) section of this manual.

Description The D-Fi™ Hub is a transmitter and receiver that either receives D-Fi™ signals and transmits via a DMX cable, or receives data via a DMX cable and transmits D-Fi™ signals. It wirelessly synchronizes an unlimited number of D-Fi™-ready fixtures and receivers simultaneously. It is small and compact with sturdy antenna. Built-in options include manual or automatic channel selection. Mounting options include a built-in hook and loop fastener strap, keyhole mounting holes and threaded mounting holes. The D-Fi™ Hub is fully FCC/RTTE compliant.



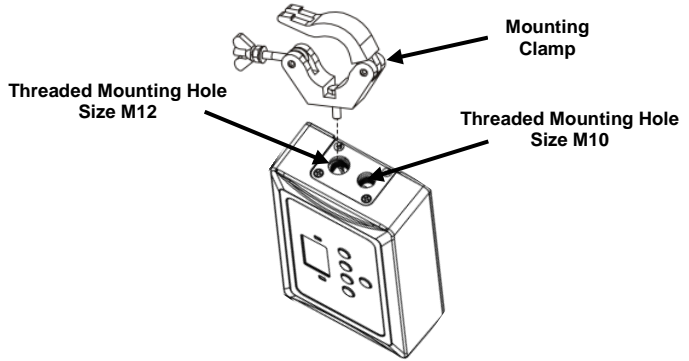
AC Power D-Fi™ Hub has an external auto-ranging power supply that works with an input voltage range of 100 to 240 VAC, 50/60 Hz. It runs on 9 VDC, 500 mA.



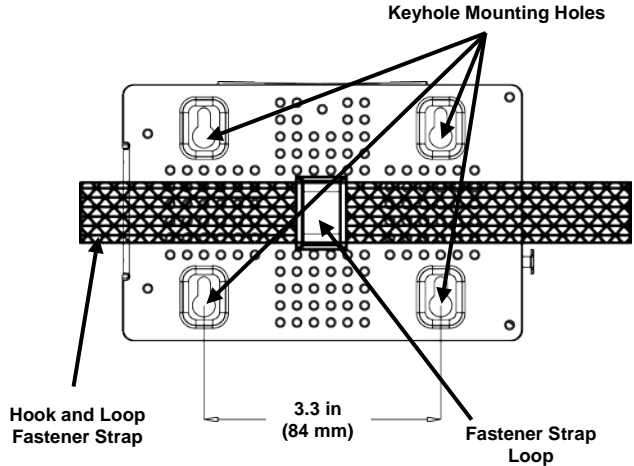
To eliminate wear and improve its lifespan, during periods of non-use completely disconnect from power via breaker or by unplugging it.

Mounting

Before mounting this product, read the Safety Notes above. Make sure the mounting clamps (such as **CLP-15** clamp from Chauvet) are capable of supporting the weight of the product. For our CHAUVET® line of mounting clamps, go to www.chauvetlighting.com/cables-clamps-main.html.



Mounting Diagram



Control Panel Description	Button	Function
		<MENU>
	<UP>	Navigates upwards through the sub-menu list or increases numeric values
	<DOWN>	Navigates downwards through the sub-menu list or decreases numeric values
	<ENTER>	Enables the currently displayed menu or sets the currently selected value.
	<AUTO SYNC>	Detects the D-Fi™ signal for synchronization of products

Menu Options

Main Function	Programming Options		Description
Settings	Receive Manual	CH01–16	Allows selection of a specific D-Fi™ channel for receiving signal
	Transmit Manual	CH01–16	Allows selection of a specific D-Fi™ channel for transmitting signal
	Receive Auto		Triggers the D-Fi™ Hub to auto-select a channel for receiving signal
	Transmit Auto		Triggers the D-Fi™ Hub to auto-select a channel for transmitting signal

Configuration The D-Fi™ Hub can be used two ways:

- It can be connected to any DMX controller and transmit to D-Fi™-compatible lights.
- It can be connected to any DMX lights and receive from a D-Fi™-compatible controller.

Programming and Signal Selection To connect the D-Fi™ Hub to a DMX controller and configure it to transmit to D-Fi™-compatible lights, do the following:

1. Connect the hub to the controller using a DMX cable.
2. Connect the hub to power.
3. If the display shows **Transmit Manual <CHXX>**, where **XX** is a value between **01** and **16**, the hub is already configured for manual transmission.
4. Press <MENU> and the display shows **Settings** with 2 words underneath.
5. Press <ENTER> and the 2 words become highlighted.
6. Use <UP> or <DOWN> to cycle through the highlighted options until the display shows **Transmit Manual**.

Note: Selecting Transmit Auto automatically detects a transmission signal when used in conjunction with <AUTO SYNC>.

7. Press <ENTER> and the display shows **Transmit Manual** with <CHXX> highlighted, where **XX** is a value between **01** and **16**.
8. Use <UP> or <DOWN> to cycle through the highlighted channel options and select the channel to use for D-Fi™ transmission.
9. Press <ENTER> and the display shows **Transmit Manual <CHXX>**, where **XX** is the channel selected in step 8.

The hub is now configured for manual signal transmission.

NOTE: All the lights must be set to the D-Fi™ channel shown on the hub's display.

To connect the D-Fi™ Hub to any DMX lights and configure it to receive D-Fi™ signals from a D-Fi™-compatible hub, do the following:

1. Connect the hub to the lights using a DMX cable.
2. Connect the hub to power.
3. If the display shows **Receive Manual <CHXX>**, where **XX** is a value between **01** and **16**, the hub is already configured for manual reception.
4. Press <MENU> and the display shows **Settings** with 2 words underneath.
5. Press <ENTER> and the 2 words become highlighted.
6. Use <UP> or <DOWN> to cycle through the highlighted options until the display shows **Receive Manual**.

Note: Selecting Receive Auto automatically detects a receiving signal when used in conjunction with <AUTO SYNC>.

7. Press <ENTER> and the display shows **Receive Manual** with <CHXX> highlighted, where **XX** is a value between **01** and **16**.
8. Use <UP> or <DOWN> to cycle through the highlighted channel options and select the channel to use for D-Fi™ reception.
9. Press <ENTER> and the display shows **Receive Manual <CHXX>**, where **XX** is the channel number selected in step 8.

The hub is now configured for manual signal reception.

NOTE: The controller must be set to the D-Fi™ channel shown on the hub's display.

Information about using D-Fi™ lights and controllers is in the product manuals at the Chauvet website: <http://www.chauvetlighting.com/product-manuals-literature/>.

Information about DMX is in the Chauvet DMX Primer at: http://www.chauvetlighting.com/downloads/DMX_Primer_rev05_WO.pdf.