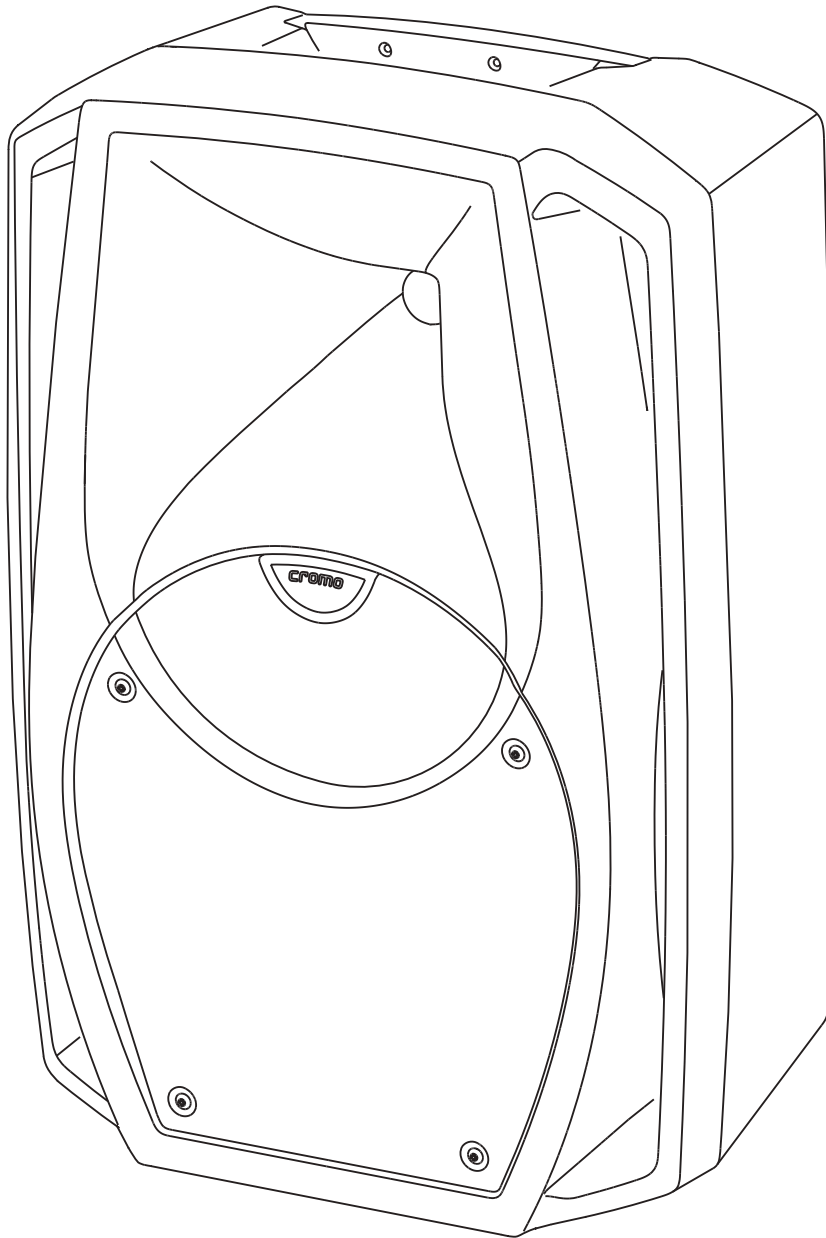


CROMO

+ Series
club Series



MANUALE d USO - SEZIONE 1
USER MANUAL - SECTION 1
BEDIENUNGSANLEITUNG - ABSCHNITT 1
CARACTERISTIQUES TECHNIQUES - SECTION 1



Made in China

COD. 420120173A



Series CROMO + e CROMO club

DESCRIPTION

The "CROMO +" and "CROMO club" series speakers use multichannel digital power amplifiers of last generation DIGIPACK.

These highly efficient amplifiers provide high power with limited weight and dimension. Thanks to the low power dissipated, the cooling of the amplifier module does not require a fan.

The digital preamplifier with DSP (Digital Signal Processing) controls the audio crossover of the acoustic components, the frequency response, the limiter, and the phase alignment.

The correct switch on of the amplifier is guaranteed by an initialization procedure; during this test stage the LEDs ("LIMITER" and "READY"), located on the amplifier module, stay on together for approx. 2 sec.

At the end of the switch on procedure, on the amplifier module, the "READY" green LED flashes slowly, when there is signal absence.

During normal operation the "READY" green LED serves as Vu-meter monitoring the audio level reproduced.

The "LIMITER" red LED lights up to indicate that the internal limiter circuit has tripped to prevent amplifier distortion and protects the speakers against overloads.

CROMO 8+

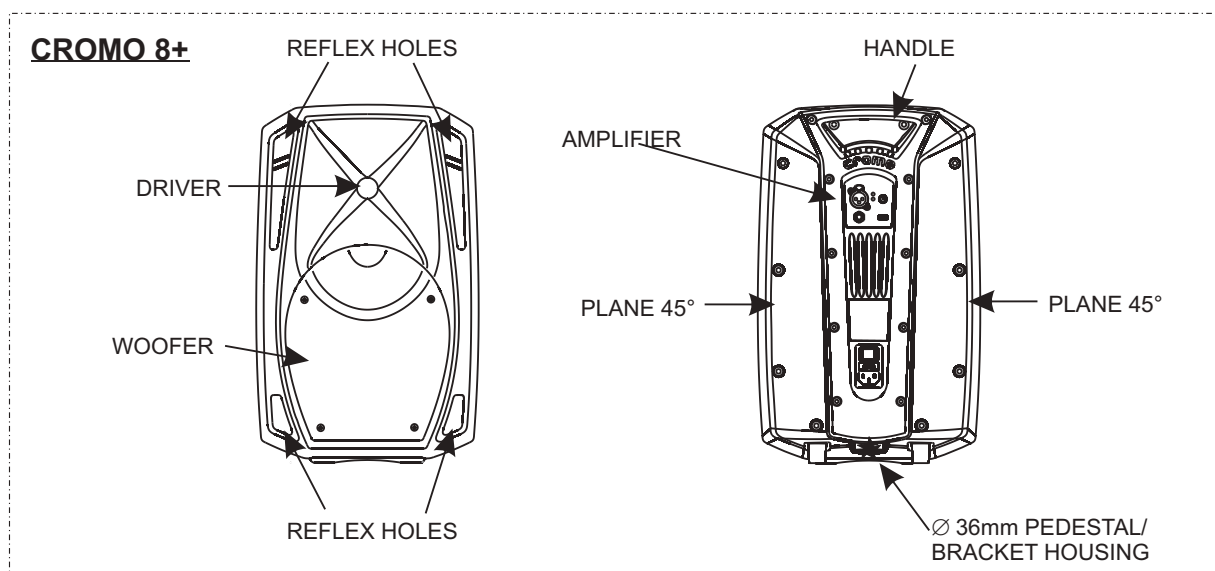
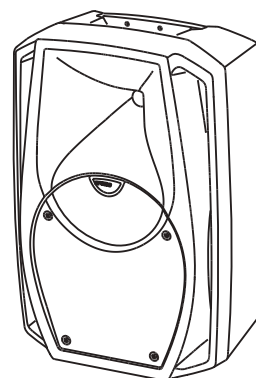
The CROMO 8+ bi-amped active speaker is equipped with digital amplifier delivering 300W power.

The 2-way bi-amplified speaker is equipped with 8" woofer (1,5" voice coil) and 1" Neodymium driver (1" voice coil) loaded with 90°/70°x60° asymmetric horn.

The speaker is made of plastic material, and is provided with a top handle, rubber coated, which eases transportation.

In the bottom of the box there is a standard pole mount cup (D36mm).

The speaker has been designed to be used also as stage monitor (45° angled).



CROMO 10 +

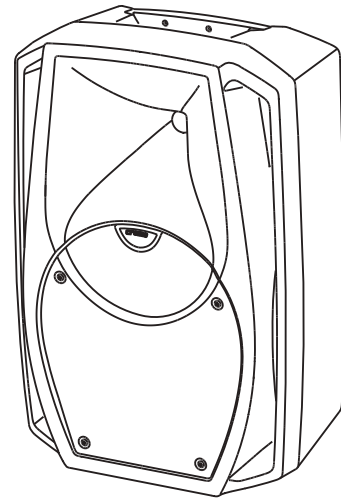
The CROMO 10+ bi-amped active speaker is equipped with digital amplifier delivering 400W power.

The 2-way bi-amplified speaker is equipped with 10" woofer (1,5" voice coil) and 1" Neodymium driver (1" voice coil) loaded with 90°/70°x60° asymmetric horn.

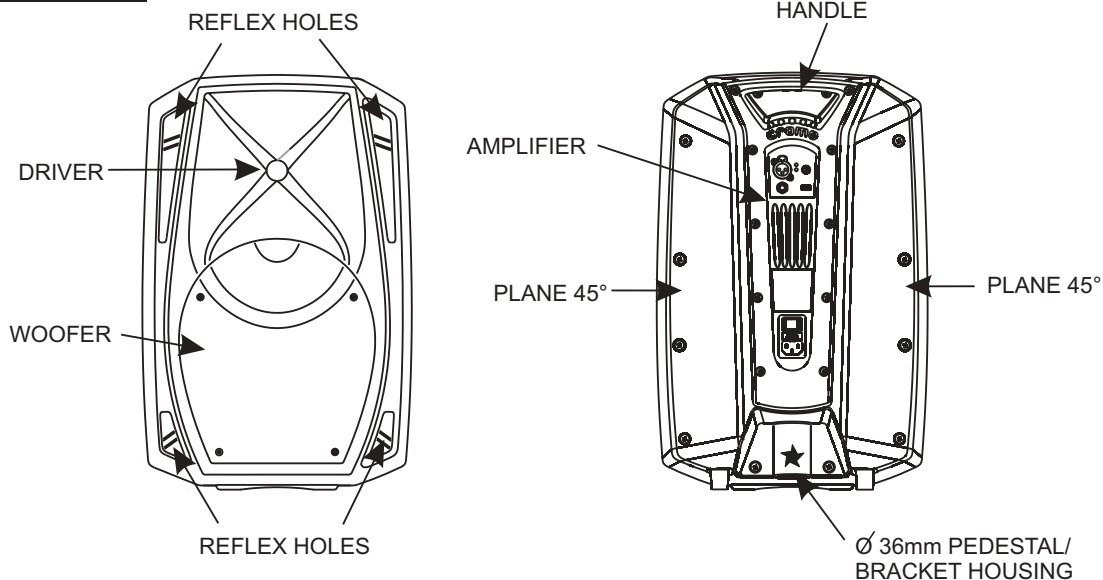
The speaker is made of plastic material, and is provided with a top handle, rubber coated, which eases transportation.

In the bottom of the box there is a standard pole mount cup (D36mm).

The speaker has been designed to be used also as stage monitor (45° angled).



CROMO 10 +



CROMO 12+

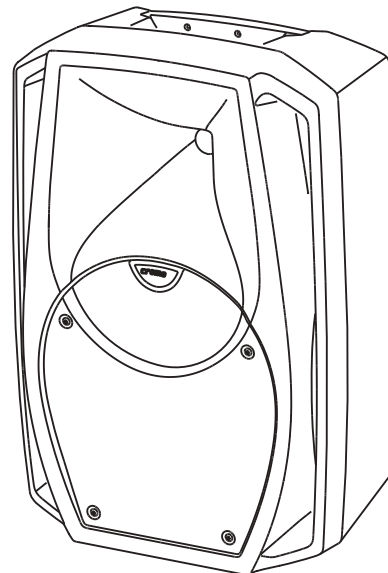
The CROMO 12 + bi-amped active speaker is equipped with digital amplifier delivering 600W power.

The 2-way bi-amplified speaker is equipped with 12" woofer (2" voice coil) and 1" compression driver (1.5" voice coil) loaded with 90°/70°x60° asymmetric horn.

The speaker is made of plastic material, and is provided with a top handle, rubber coated, which eases transportation.

In the bottom of the box there is a standard pole mount cup (D36mm).

The speaker has been designed to be used also as stage monitor (45° angled).



CROMO 15+

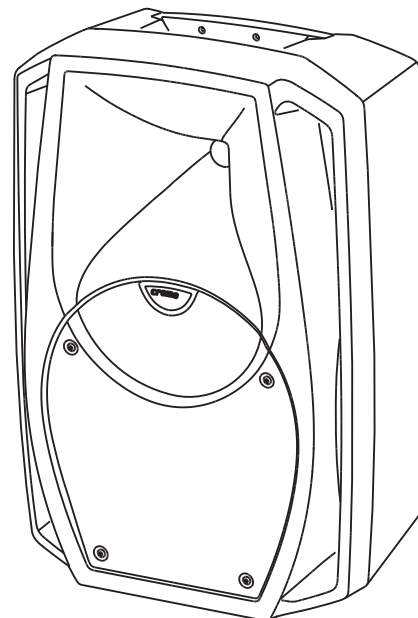
The CROMO 15+ bi-amped active speaker is equipped with digital amplifier delivering 600W power.

The 2-way bi-amplified speaker is equipped with 15" woofer (2" voice coil) and 1" compression driver (1.5" voice coil) loaded with 90°/70°x60° asymmetric horn.

The speaker is made of plastic material, and is provided with a top handle, rubber coated, which eases transportation.

In the bottom of the box there is a standard pole mount cup (D36mm).

The speaker has been designed to be used also as stage monitor (45° angled).



CROMO 12 club

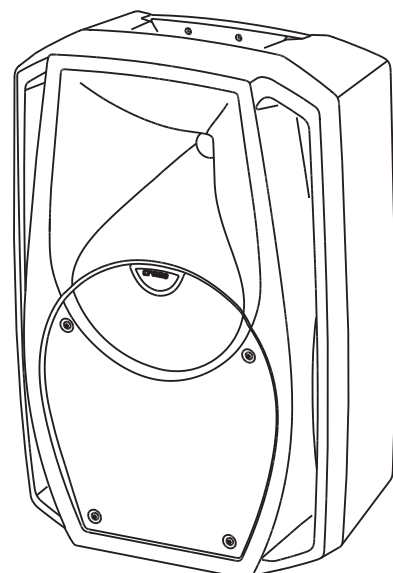
The CROMO 12 club bi-amped active speaker is equipped with digital amplifier delivering 400W power.

The 2-way bi-amplified speaker is equipped with 12" woofer (2" voice coil) and 1" Neodymium driver (voice coil 1") loaded with 90°/70°x60° asymmetric horn.

The speaker is made of plastic material, and is provided with a top handle, rubber coated, which eases transportation.

In the bottom of the box there is a standard pole mount cup (D36mm).

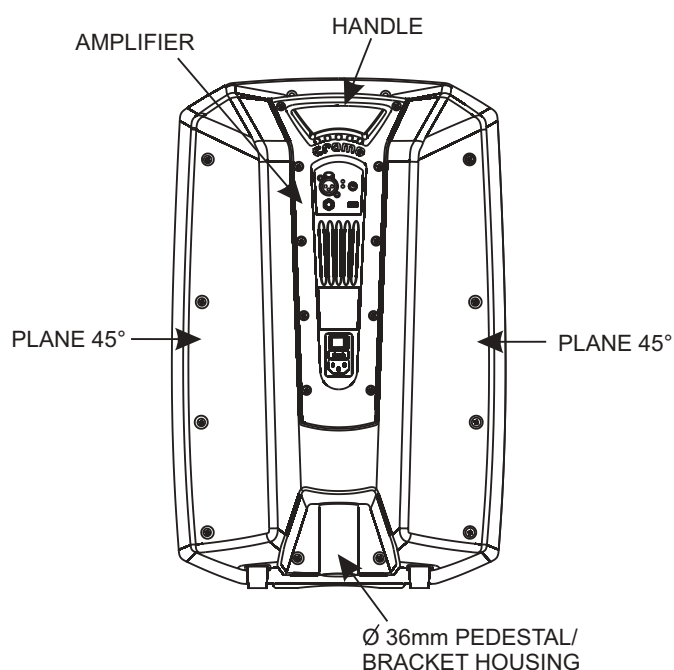
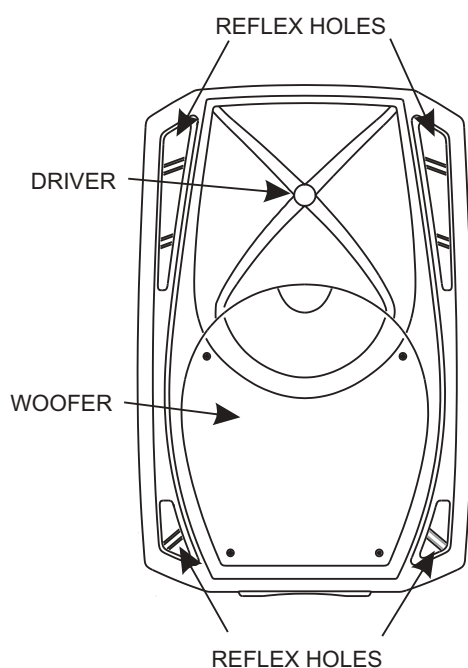
The speaker has been designed to be used also as stage monitor (45° angled).



CROMO 12+

CROMO 15+

CROMO 12 club



COMMANDS AND FUNCTIONS

AMPLIFIER PANEL (Ref. page 25)

1) “Inputs” CONNECTORS

These balanced inputs can be used to connect balanced or unbalanced microphones or audio sources at line level (0dB) (eg. preamplifier, mixer, recorder, CD player, musical instrument, ...).

The balanced connector is connected in parallel and can be used to send the audio signal to other amplified speakers, recorders or supplementary amplifiers.

2) “Limiter” INDICATOR LIGHT

This indicator shows red to indicate that the internal limiter circuit has tripped.

This prevents amplifier distortion and protects the speakers against overloads.

3) “Ready” INDICATOR LIGHT

The “READY” indicator light comes on green to indicate that the amplifier is switched on and it is working properly. During normal operation the LED serves as Vu-meter monitoring the audio level reproduced.

4) “VOLUME” CONTROL

The knob regulates the speaker’s volume.

This control does not affect the output “LINK” levels.

5) “Sensitivity” SWITCH

Position the switch in LINE to use a line level source (0 dB) or MIC to use a microphone.

6) POWER SWITCH “POWER”

This switch can be used to switch the speaker on and off.

7) FUSE CARRIER “FUSE”

Mains fuse housing. Replace only with identical value!

8) POWER CABLE SOCKET “MAINS”

Used for connecting the power cable supplied.

PROTECTIONS

Front Grille

The speakers’s components in the box are protected by 1.0mm metal steel grille.

Cooling

Thermal control is provided by the internal DSP, by means of one sensor, controls the temperature of the amplifier, avoiding overheating by limiting the overall volume.

In case of overheating (> 90°C) the volume decreases proportionally to the temperature increase, making the change unnoticeable.

The correct volume and all the functions are automatically restored when standard operating temperatures are reached.

LOUDSPEAKER INSTALLATION



WARNING

Make sure that the loudspeaker is securely installed in a stable position to avoid any injuries or damages to persons, animals or property.

For safety reasons do not place one loudspeaker on top of another without proper fastening systems. Before suspending the loudspeaker check all the components for damages, deformations, missing or damaged parts that may compromise safety during installation. If you use the loudspeakers outdoors avoid places that are exposed to bad weather.

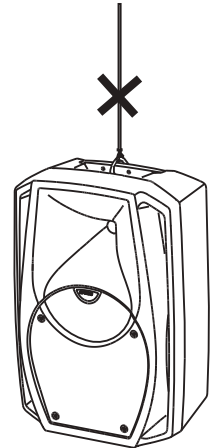
The loudspeaker has the following mounting options:

- bookshelf (Fig. 1 page 32)
- floor (monitor) (Fig.2 page 32)
- on speaker stands .



WARNING

Never use the handles to suspend the speaker!



EMI CLASSIFICATION

According to the standards EN 55103 this equipment is designed and suitable to operate in E3 (or lower E2, E1) Electromagnetic environments.

TECHNICAL SPECIFICATION

Amp and processor

Power supply:
Pre-Amp:
Amplifier:
Power:
Cooling:
Limiter:
X-over frequency:

CROMO 8+

Toroidal Transformer
24bit 48KHz DSP
Digital (Class-D)
300 W
Convection, fan-free
Peak, RMS, Thermal
2100 Hz, 24 dB/oct

CROMO 10+

Toroidal Transformer
24bit 48KHz DSP
Digital (Class-D)
400 W
Convection, fan-free
Peak, RMS, Thermal
2000 Hz, 24 dB/oct

CROMO 12 club

Toroidal Transformer
24bit 48KHz DSP
Digital (Class-D)
600 W
Convection, fan-free
Peak, RMS, Thermal
1900 Hz, 24 dB/ oct.

CROMO 12+

Toroidal Transformer
24bit 48KHz DSP
Digital (Class-D)
600 W
Convection, fan-free
Peak, RMS, Thermal
1900 Hz, 24 dB/ oct.

CROMO 15+

Toroidal Transformer
24bit 48KHz DSP
Digital (Class-D)
600 W
Convection, fan-free
Peak, RMS, Thermal
1900 Hz, 24 dB/ oct.

Audio Data

Frequency response -10 dB:
Frequency response +-3 dB:
Max SPL:
Bass/midrange woofer:
High frequency driver:
Horn coverage:

68 Hz - 20 kHz
80 Hz - 19 kHz
118 dB
1x8" Ceramic -1,5" voice coil
1x1" compression driver
1" voice coil Neodymium
90°/70° x 60°

65 Hz - 20 kHz
70 Hz - 19 kHz
121 dB
1x10" Ceramic -1,5" voice coil
1x1" compression driver
1" voice coil Neodymium
90°/70° x 60°

60 Hz - 20 kHz
65 Hz - 19 kHz
123 dB
1x12" Ceramic -2" voice coil
1x1" compression driver
1" voice coil Neodymium
90°/70° x 60°

55 Hz - 20 kHz
60 Hz - 19 kHz
126,5 dB
1x12" Ceramic -2" voice coil
1x1" compression driver
1,5" voice coil
90°/70° x 60°

47 Hz - 20 kHz
52 Hz - 19 kHz
128 dB
1x15" Ceramic -2" voice coil
1x1" compression driver
1,5" voice coil
90°/70° x 60°

Input section

Signal input/link:
Input sensitivity:
Mains:
Inrush current:

XLR fem. Balanced
6,3mm JACK balanced
-40dBu/0dBu (Mic/Line)
IEC, VDE
5,9 A

XLR fem. Balanced
6,3mm JACK balanced
-40dBu/0dBu (Mic/Line)
IEC, VDE
12,1 A

XLR fem. Balanced
6,3mm JACK balanced
-40dBu/0dBu (Mic/Line)
IEC, VDE
12,1 A

Hardware

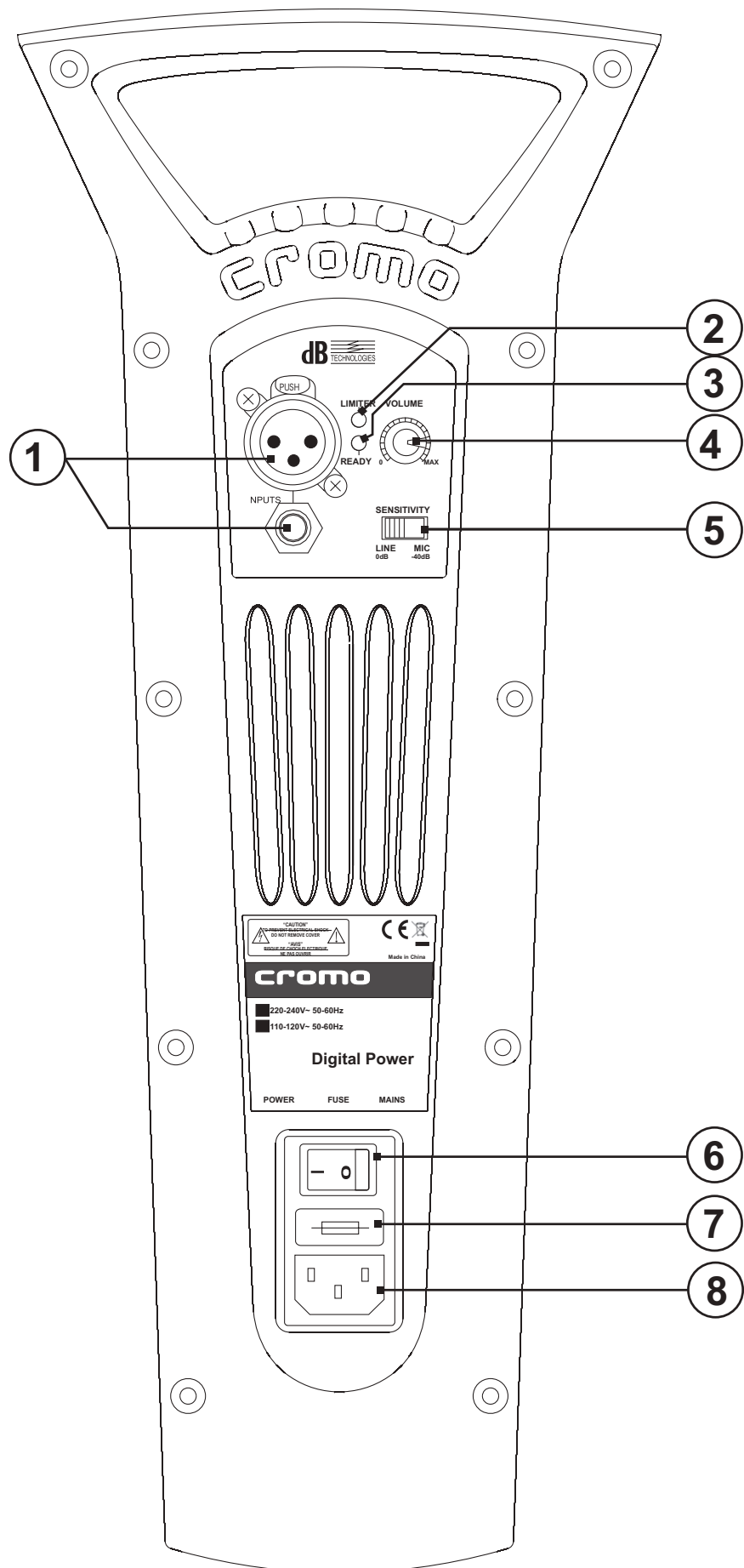
Pole mount:
Handles (rubber):
Monitor use angles:
Grille:
Dimensions (W x H x D):
Weight:
Optional accessories:

36 mm
one on top (with rubber)
45° both sides
1mm Metal
270 x 435 x 252mm
7,8 kg
gig bag

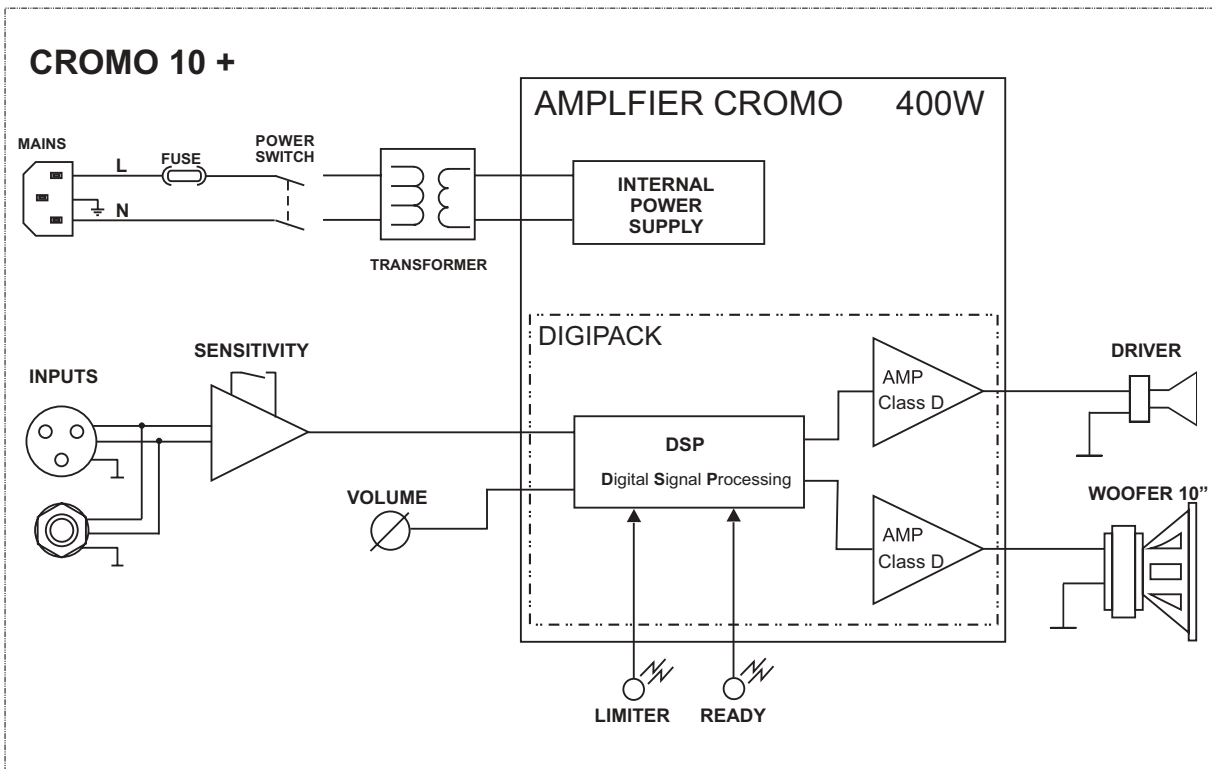
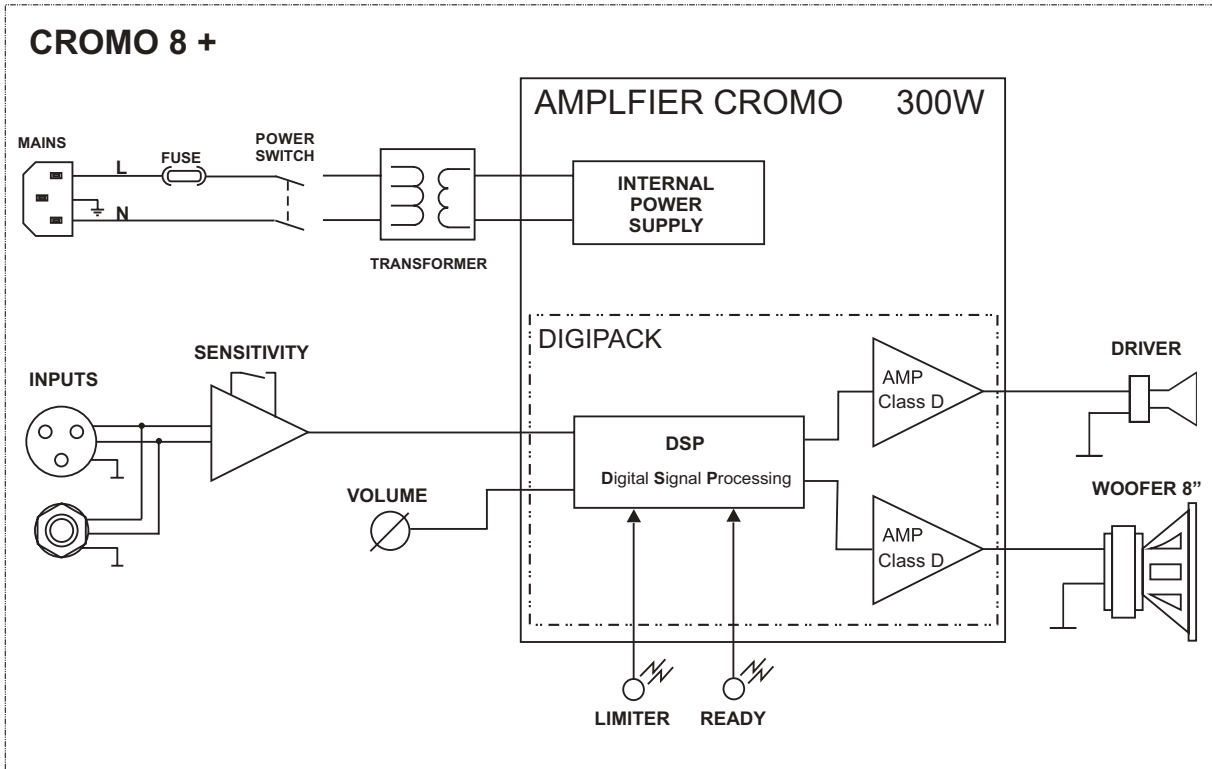
36mm
one on top (with rubber)
45° both sides
1 mm Metal
402 x 615 x 356mm
18,5 kg
gig bag

36mm
one on top (with rubber)
45° both sides
1 mm Metal
475 x 726 x 423mm
22,9 kg
gig bag

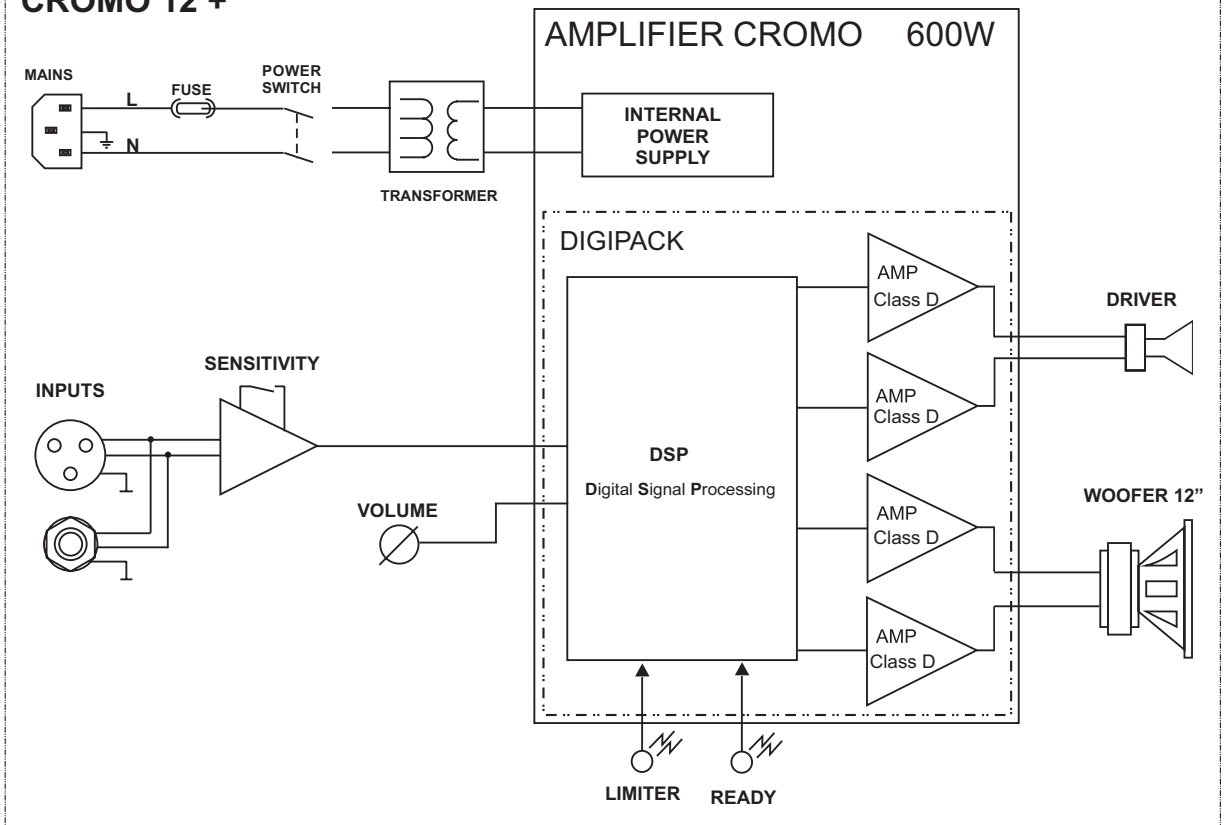
AMPLIFICATORE - AMPLIFIER
VERSTÄRKER - AMPLIFICATEURS



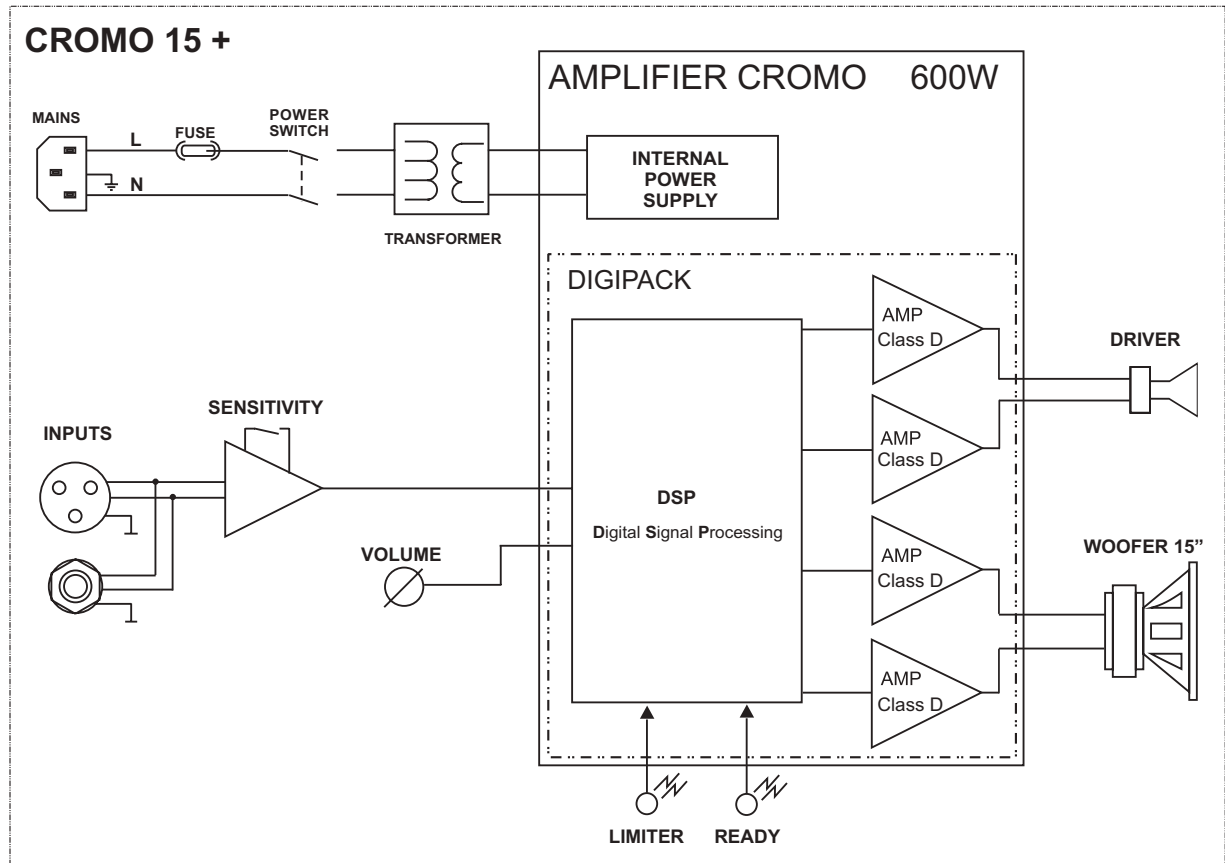
SCHEMA A BLOCCHI - BLOCK DIAGRAM
 BLOCKSCHALTBIKD - SCHEMAS FONCTIONNELS



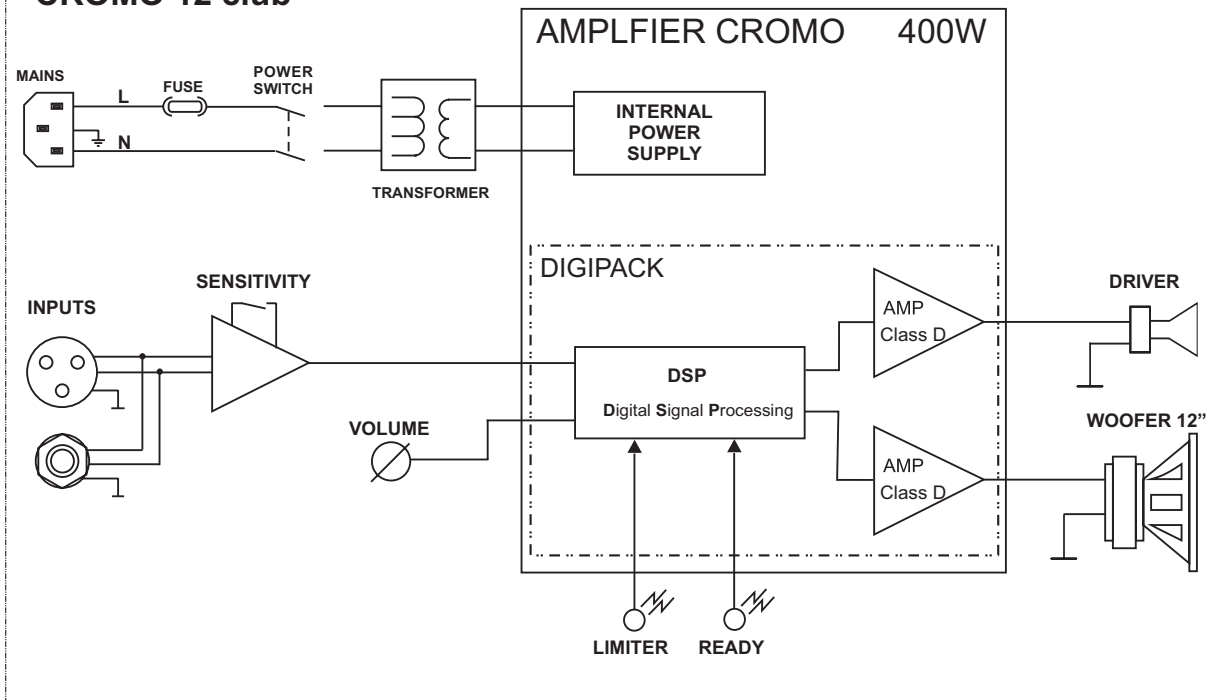
CROMO 12 +



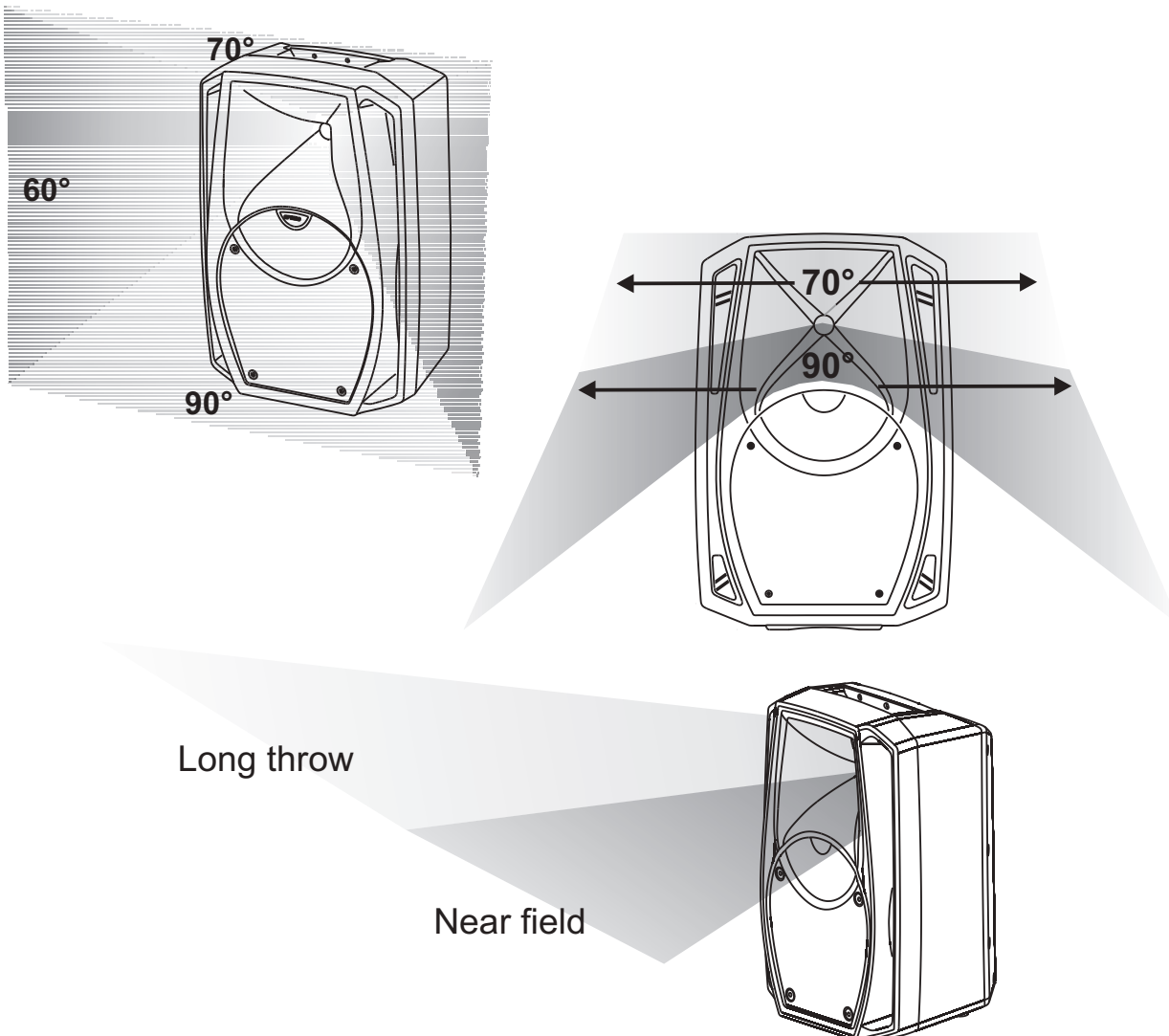
CROMO 15 +



CROMO 12 club

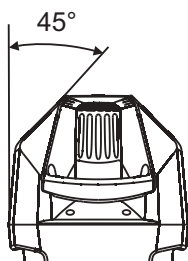
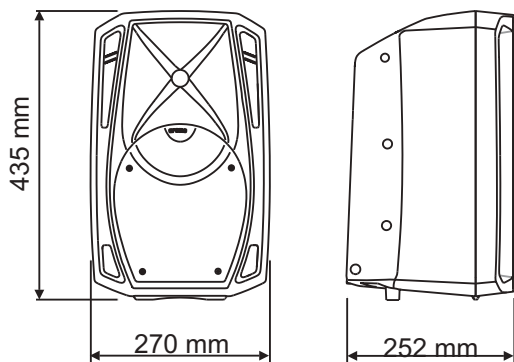
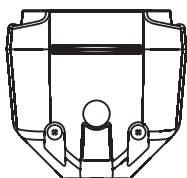
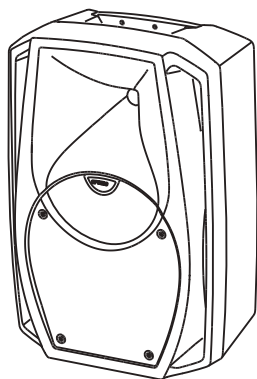


ANGOLO DI COPERTURA TROMBA / HORN COVERAGE ANGLE
 HOCHTONHORN ABSTRAHLWINKEL / ANGLE DE COUVERTURE COTÉ

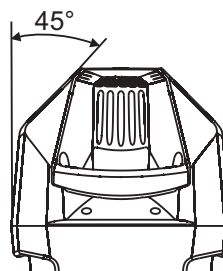
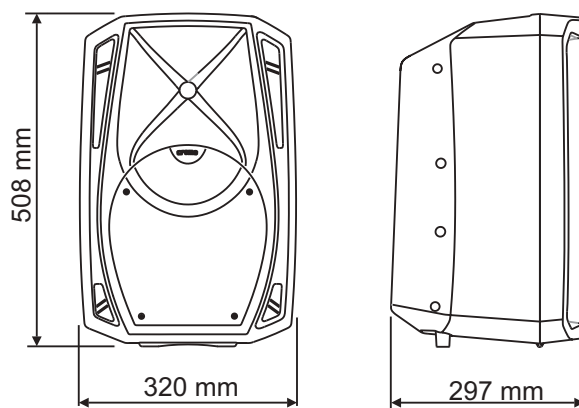
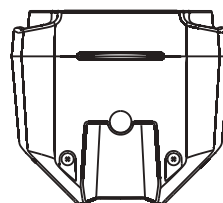
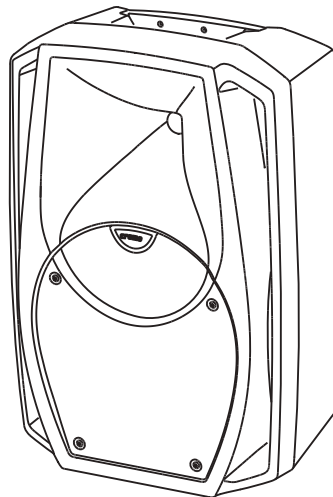


DIMENSIONI / DIMENSIONS
ABMESSUNGEN / DIMENSIONS

CROMO 8 +

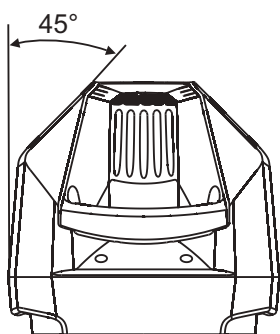
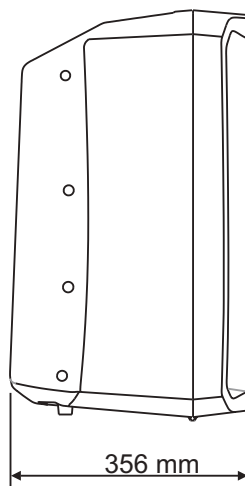
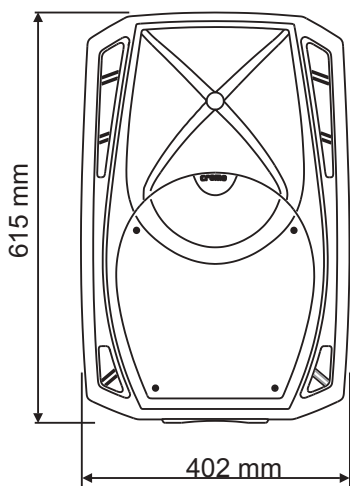
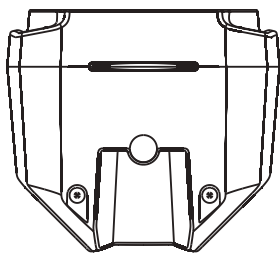
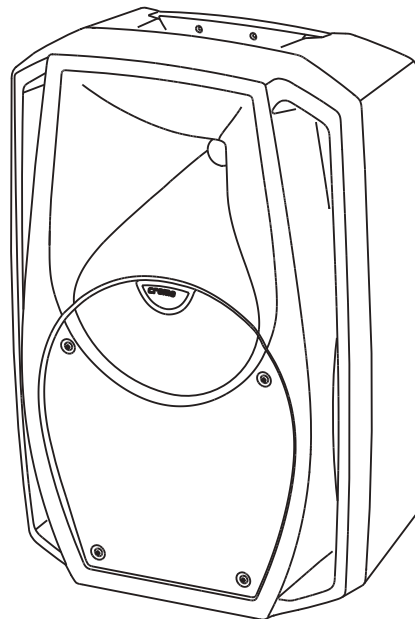


CROMO 10 +

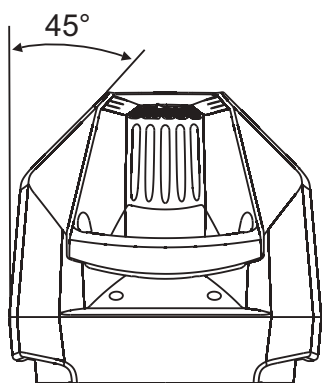
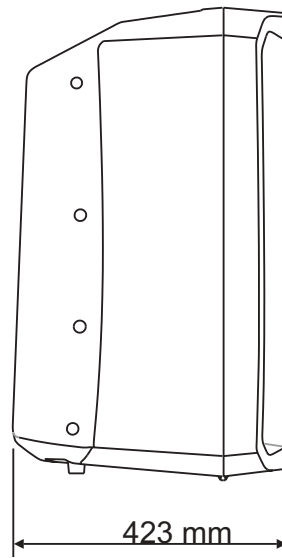
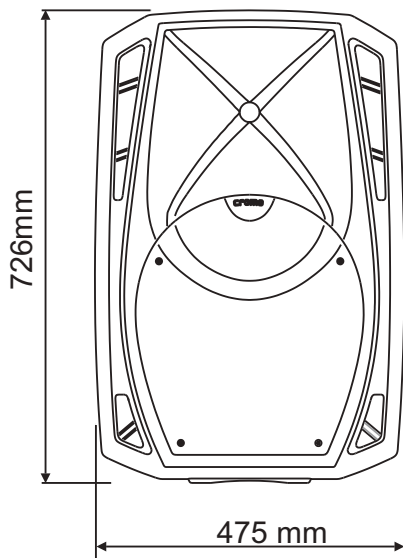
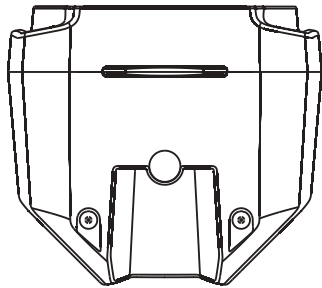
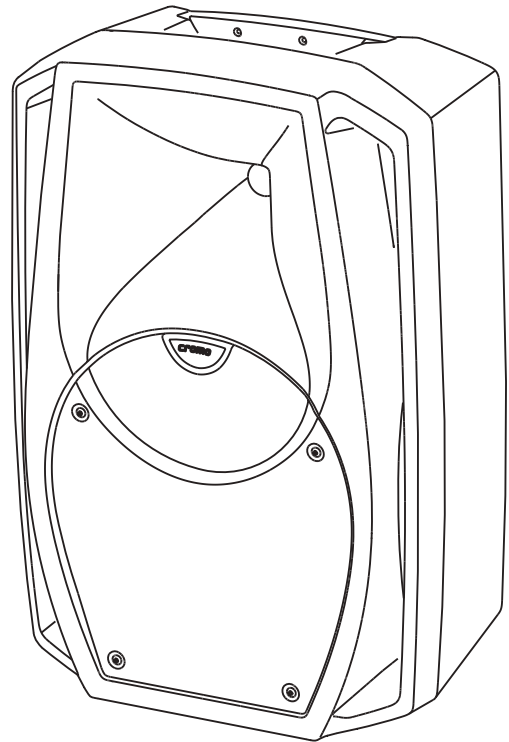


DIMENSIONI / DIMENSIONS
ABMESSUNGEN / DIMENSIONS

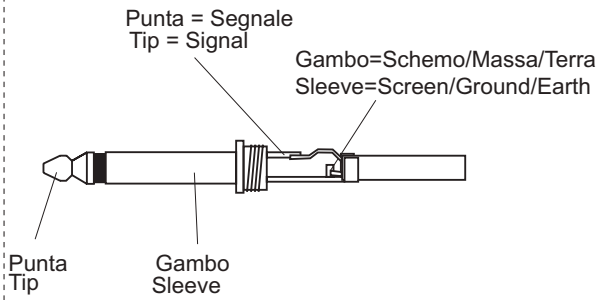
CROMO 12 +
CROMO 12 club



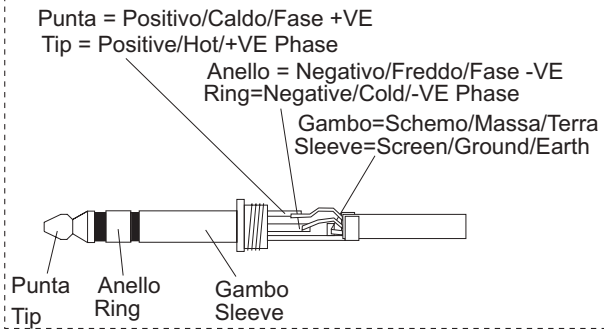
CROMO 15+



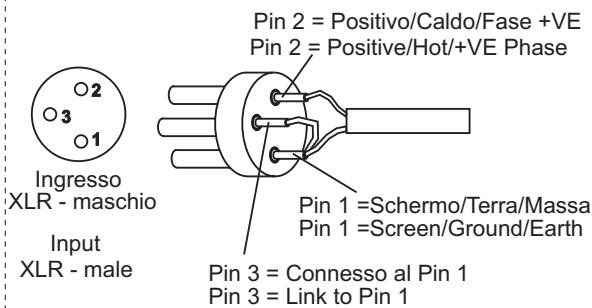
**Funzionamento sbilanciato con
connettore jack 1/4" (6,3mm)
Unbalanced use of stereo 1/4" jack plug**



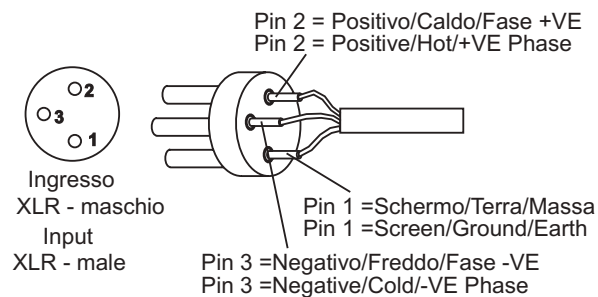
**Funzionamento bilanciato con
connettore jack 1/4" (6,3mm)
Balanced use of stereo 1/4" jack plug**



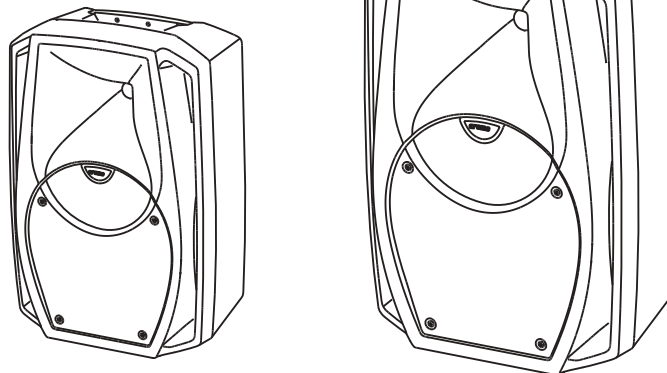
**Funzionamento sbilanciato con
connettore XLR
Unbalanced use with XLR connectors**



**Funzionamento bilanciato con
connettore XLR
Balanced use with XLR connectors**

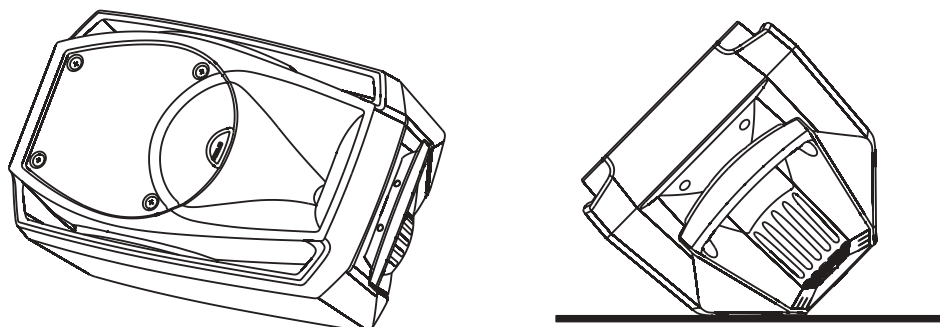


**UTILIZZO IN APPOGGIO - SUPPORTED USE
ANWENDUNG - UTILISATION EN APPUI**



**Fig. 1
Abb.1**

**UTILIZZO A PAVIMENTO (MONITOR) - FLOOR USES (MONITOR)
VERWENDUNG AUF DEM BODEN (MONITOR) - UTILISATION AU SOL (ÉCRAN)**



**Fig. 2
Abb.2**



A.E.B. INDUSTRIALE s.r.l.

Via Brodolini, 8 - 40056 Crespellano (Bo) - ITALIA

Tel. + 39 051 969870 - Fax. + 39 051 969725

Internet: www.dbtechnologies.com

E-mail: info@dbtechnologies-aeb.com