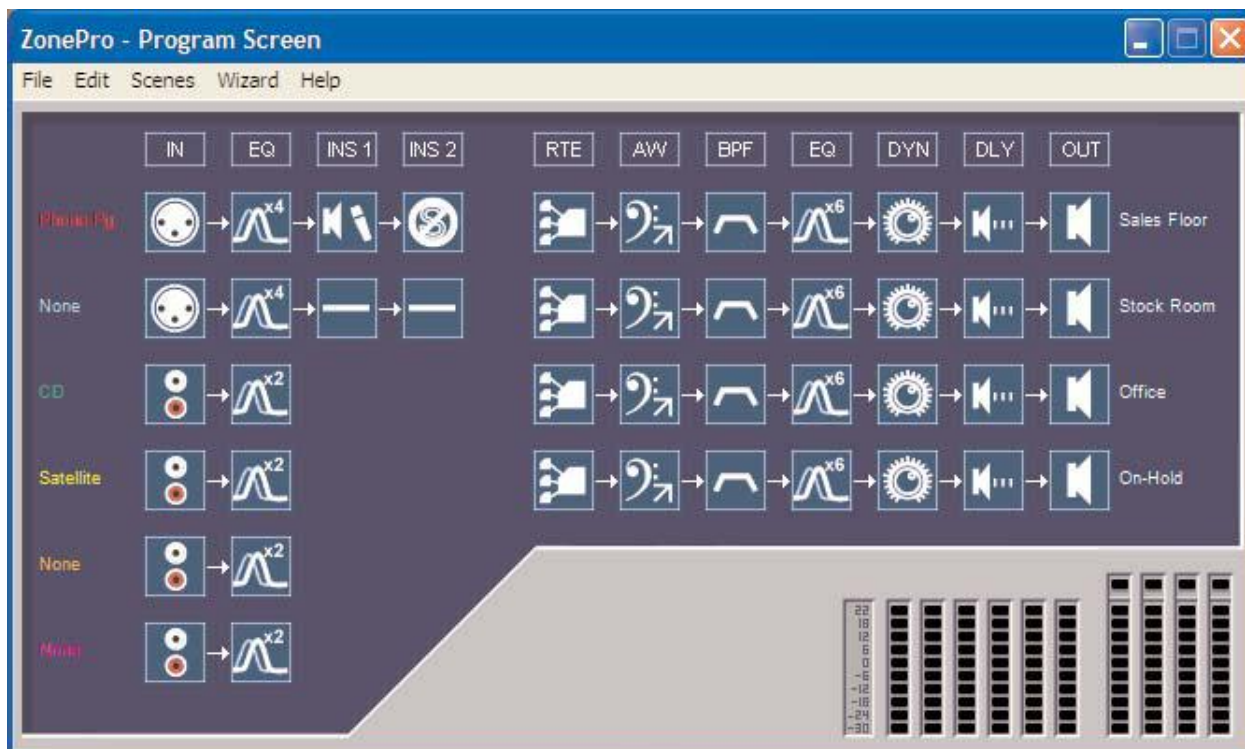
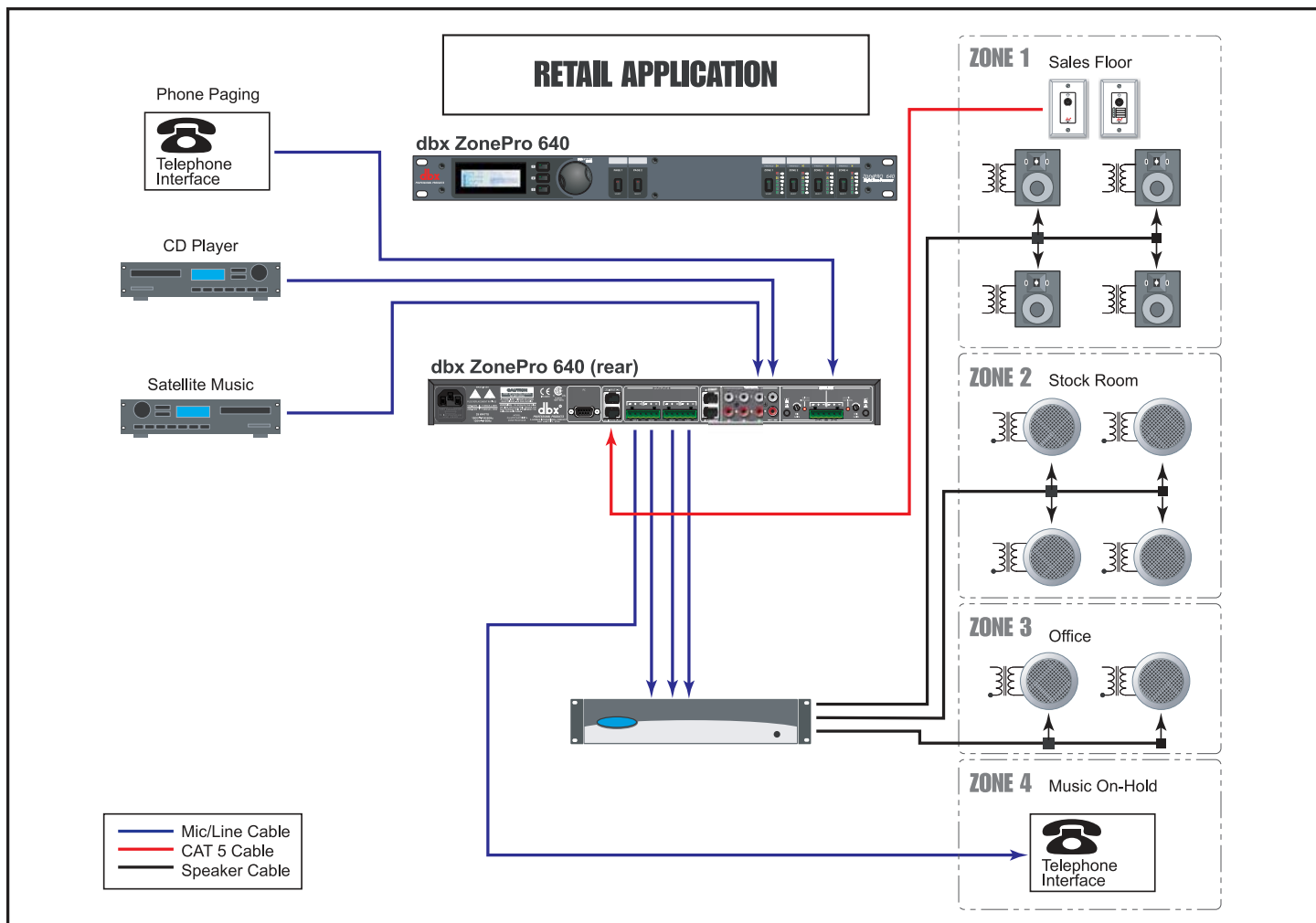
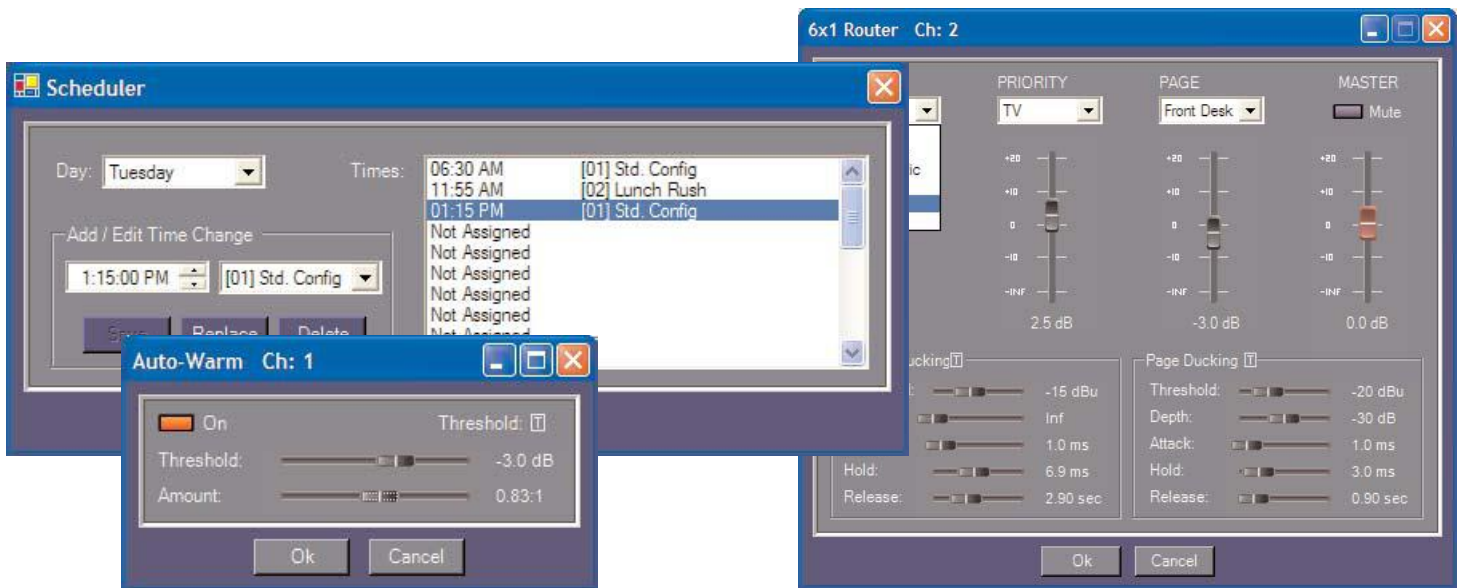


Notes - Retail Application

1. The configuration is setup from the Wizard function and is used to select the main inputs to each zone except the sales floor where the ZCs are selected as the source and level.
2. All paging is done from the phone page interface and can be steered to the sales floor, the stock room, and the office, but not the music on-hold. Page steering is done from the front panel of the ZonePro 640.
3. The Zone Controllers are wired with CAT5 cable in series with the ZC-3 (Source Selection) as ID #1, and ZC-1 (Volume) as ID #2, and are placed next to the cash register.
4. EQ, Feedback Suppression and De-Essing are used on the phone page input to help improve intelligibility and reduce unwanted feedback in the system.
5. The Bandpass Filters are used to reduce the out of band information being sent to the speakers so their efficiency can be maximized.
6. EQ is used in all zones to make the system sound as good as possible.
7. Auto Gain Control is being used on all output zones to maintain the signal level.

ZonePro 640/64I Application Guide

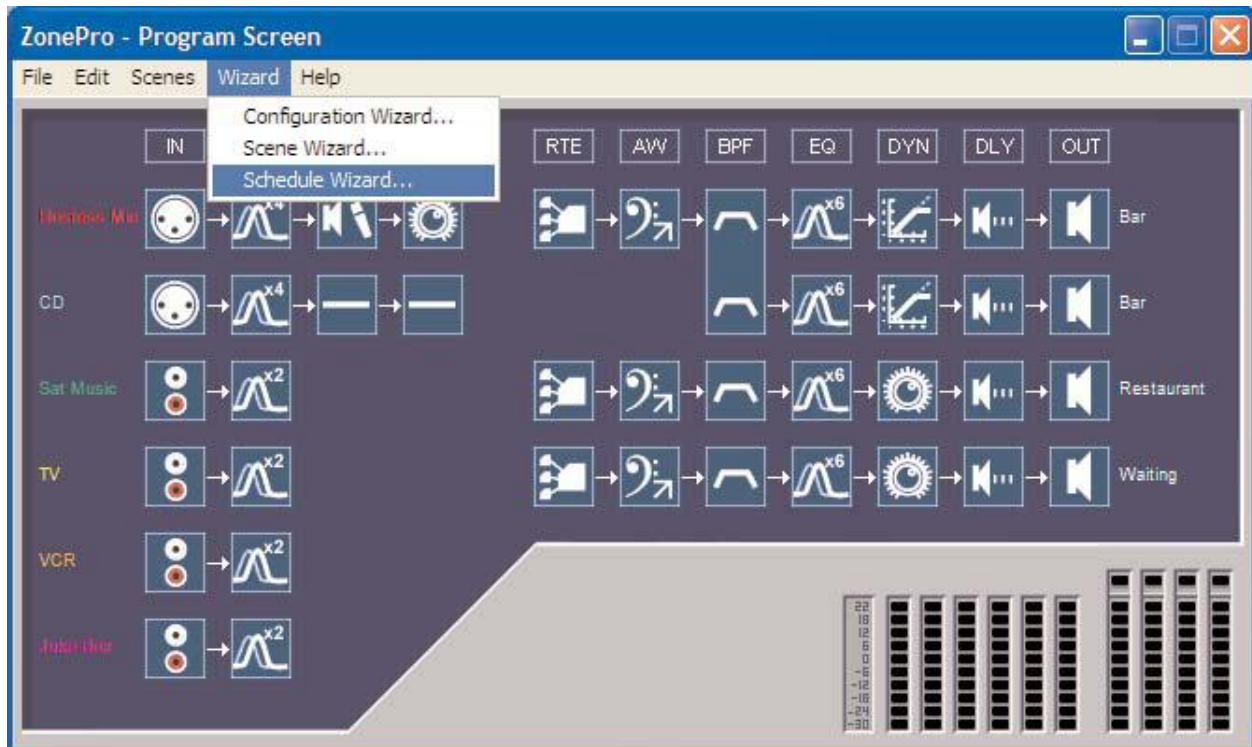
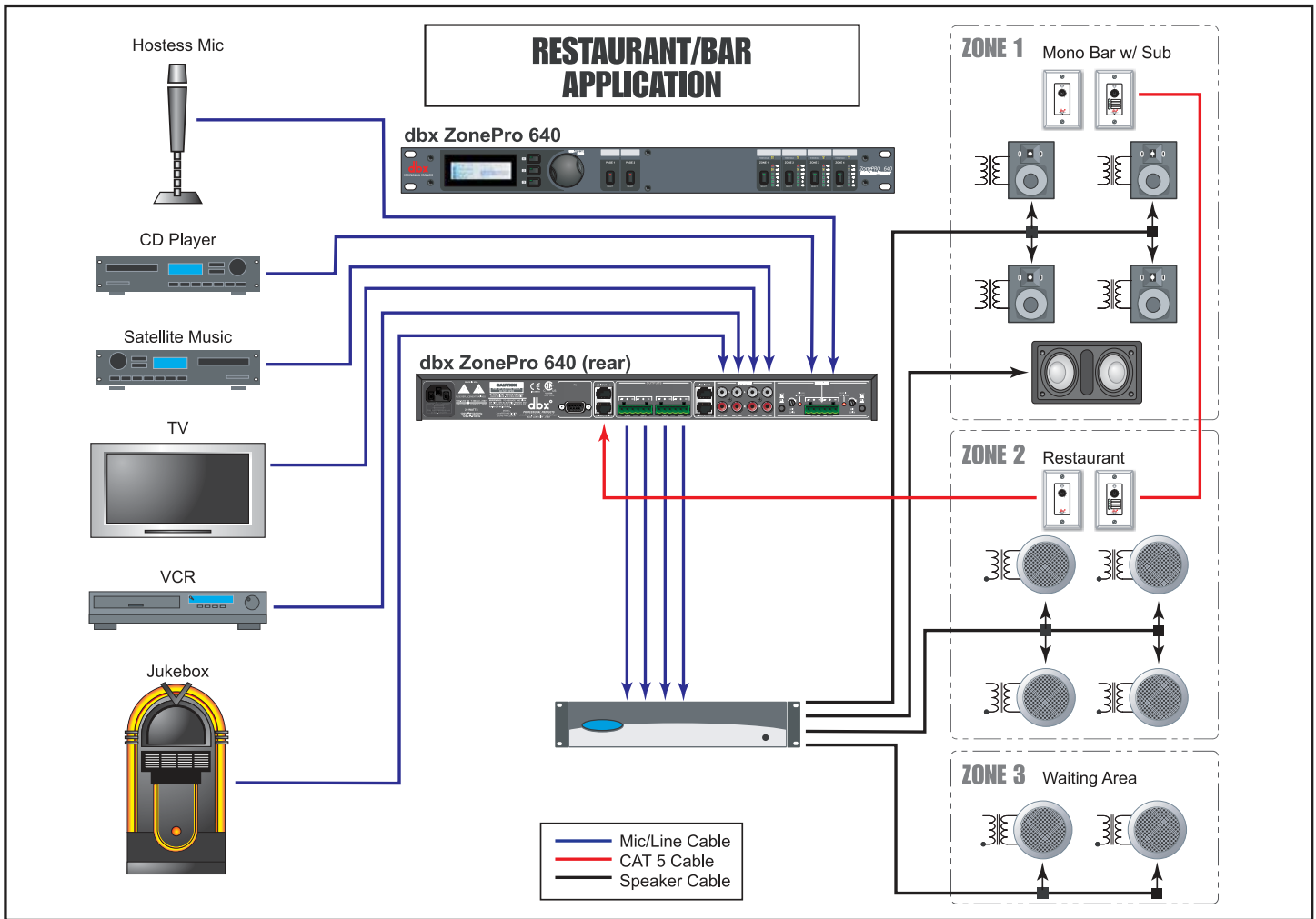


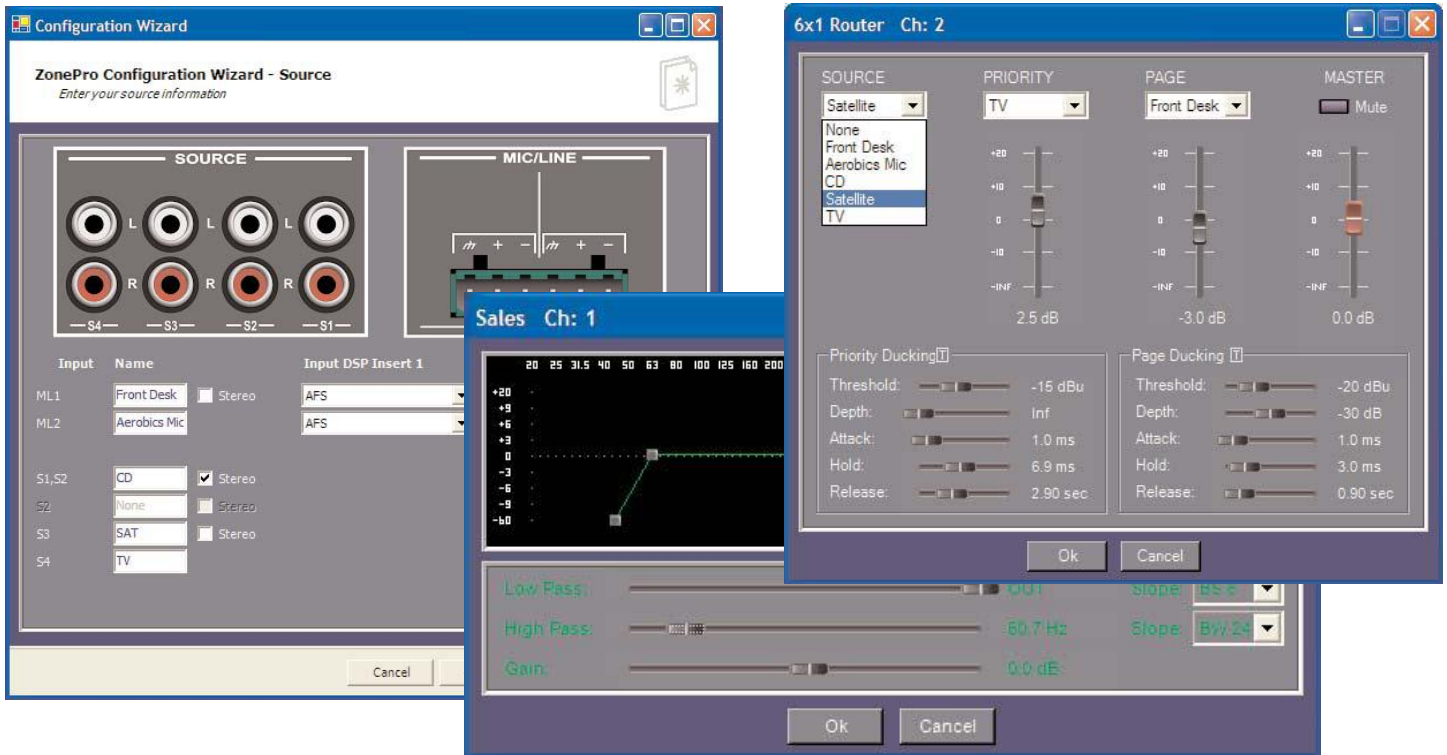


Notes - Restaurant/Bar Application

1. The ZonePro 640 is located in the manager's office and provides source selection for the waiting area.
2. Both the restaurant and the bar area have ZC controllers. The bar is using them for source selection and volume control, the ZC-1 in the restaurant is used for volume control, and the ZC-3 is used for scene changes.
3. Paging is done from the hostess station and is pre-assigned to the bar, and the waiting area.
4. The Zone Controllers for the bar and restaurant are wired with CAT5 cable in series with the bar ZC-3 and ZC-1 as ID #2, and #3, and the restaurant ZC-3 and ZC-1 as ID #1 and #4.
5. Scenes have been created that accommodate changes in the venue such as a volume boost in the bar for happy hour as well as the regular volume boost in the restaurant for the lunch time rush and the dinner crowd.
6. The ZC-3 in the restaurant is used to change between scenes as needed.
7. The Schedule function has been used to load the Rest. Boost scene automatically at the beginning of the lunch and dinner periods.
8. EQ, Feedback Suppression and Compression are used on the hostess mic to help improve intelligibility and reduce unwanted feedback in the system.
9. Limiting is used in the bar area to provide system protection.
10. AutoWarmth® is engaged in the bar to maintain the bandwidth even when the level drops, while Auto Gain Control is being used in the restaurant and waiting areas to maintain the signal level.
11. EQ is used in all zones to make the system sound as good as possible.

ZonePro 640/64I Application Guide

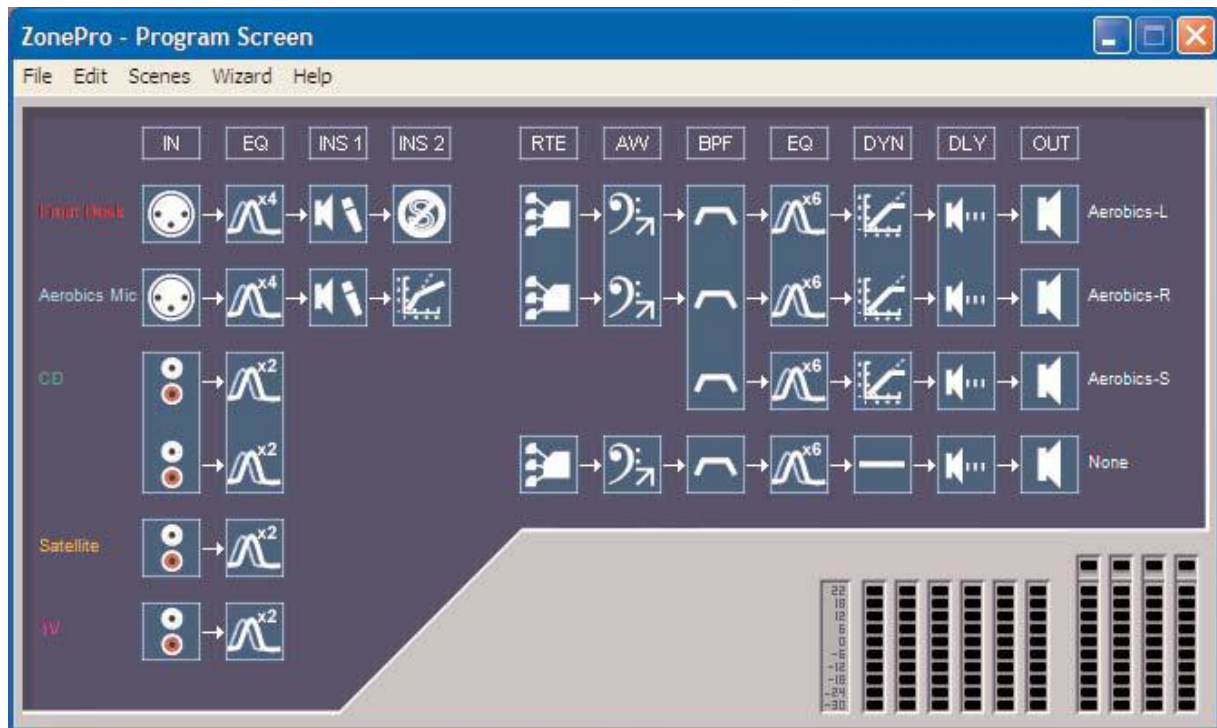
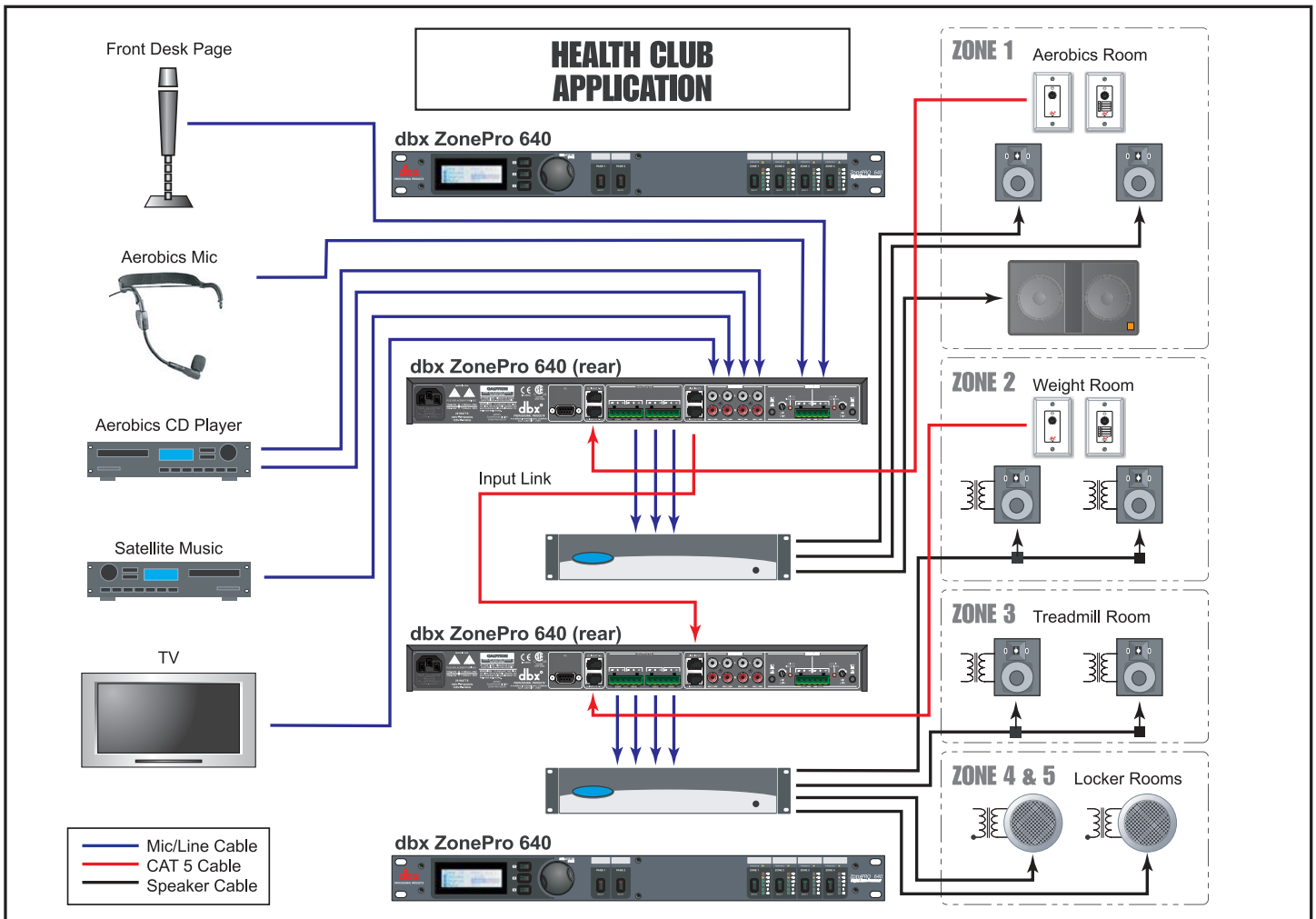




Notes - Health Club Application

1. The ZonePro 640 units are located near the front desk area.
2. ZCs in the weight room and the aerobics room allow source selection and volume control.
3. The aerobics instructor's microphone is routed only to the aerobics area as the Priority source and is simply mixed in as the priority source rather than Ducking the primary source.
4. The Input Link Buss is used to send the inputs down to the second ZonePro device.
5. The TV feed comes from the treadmill room and it is the priority source for that area overriding the primary source. Whenever the TV is on its audio is routed to the treadmill room and it can also be selected in the weight room.
6. The locker rooms always have as their primary source the Satellite Music and receive paging from the front desk.
7. Since we do not need the Aerobics Mic to be routed to any of the zones other than the aerobics room and we are using the Input Link Buss to duplicate the inputs from the first ZonePro device to the second, we could include another CD player and route it to the second mic/line input on the second ZonePro device. The ZonePro devices offer a "Local Page" facility on each of the mic/line inputs allowing selection between the sources coming in on the Buss and the local source. This would allow all the zones that are being fed by the second ZonePro device to have an additional CD source to select from.

ZonePro 640/64I Application Guide





Notes - Nightclub Application

1. The ZonePro 640 units are located in the manager's office.
2. The ZCs in the nightclub are situated near the bar and allow source selection and volume control.
3. The feed from the nightclub allows the restaurant to receive the signal from the nightclub allowing it to be sent to the entire restaurant.
4. Output Delay is used to delay the signal from the nightclub area so it arrives at the same time as the acoustic signal from the nightclub.
5. The zone controllers in the restaurant allow source selection and volume control of the restaurant area.

ZonePro 640/64I Application Guide

NIGHTCLUB/RESTAURANT APPLICATION

