

### Protecting your Screen:

To ensure long lasting viewing enjoyment keep the screen rolled up when not in use. Check both the front and back surfaces before retracting into the case to make sure it is free of dust, dirt, insects or other foreign matter. Use a soft brush or cloth to lightly remove any foreign particles.

### Cleaning your Screen:

Use warm water with a mild detergent to remove any marks on the surface (only dab, do not rub) or screen casing. Immediately dry the screen with a soft cloth or towel. Do not leave it to air dry.

Never use any solvents, chemicals or abrasive cleaners on the screen surface as they can permanently damage the screen surface.

**Note: Warranty does not cover un-installing or re-installing unit.**

gv

GRANDVIEW®

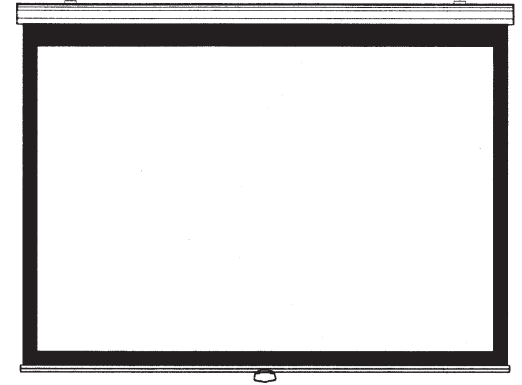
Imported and Distributed in Australia by  
Herma Technologies  
Factory 4A, 6 Albert St  
Preston, VIC 3072

For more information please go to  
[www.grandviewscreens.com.au](http://www.grandviewscreens.com.au)  
or call 1300 730 025

Aug 2009 V.2.1

gv

GRANDVIEW®



Grandview  
Deluxe Pull Down  
User Manual

## To the owner

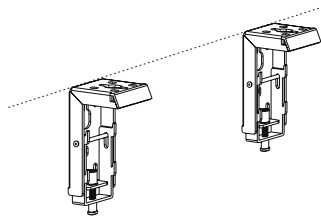
Congratulations on purchasing a Grandview Deluxe Pull Down Screen. This screen is designed to produce the sharpest, most pleasing pictures with maximum convenience.

## Before you start

- Use the correct tools: a level, a measuring tape and a pencil to mark with.
- Measure the bracket position accurately before attaching to the wall or ceiling.
- Do not mount the brackets the full width of the casing, allow at least 100mm at each end for horizontal picture alignment.

## Wall mount

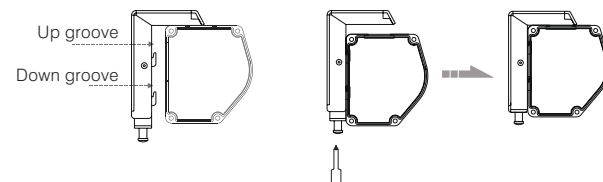
Mount the brackets firmly eg: into wall studs or bricks. Ensure the brackets are in level.



Undo the screen as shown below.

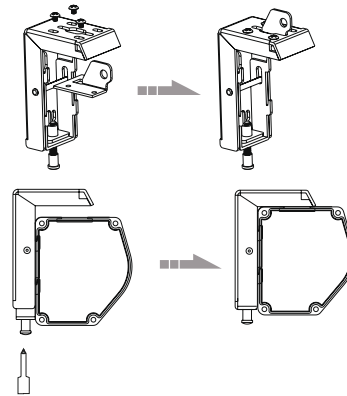


Slide the screen onto the brackets and snap into the groove and tighten the screw.

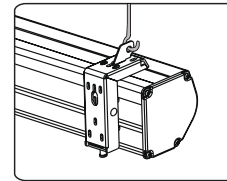


## Ceiling installation

Attach the ceiling brackets as shown. Slide the screen and lock

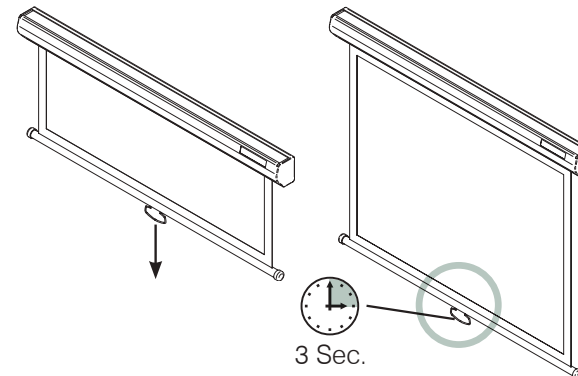


Ensure the wall bracket is secured to the casing of the screen before hanging.

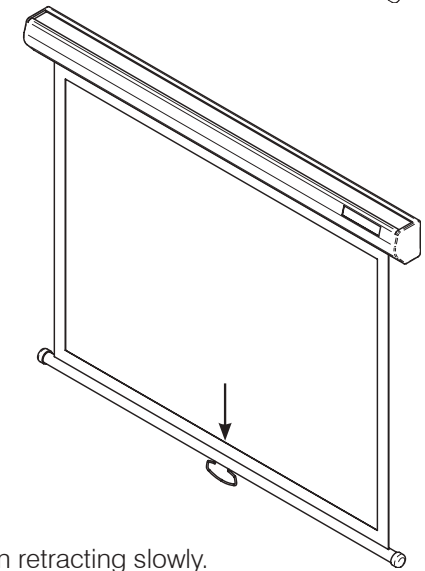
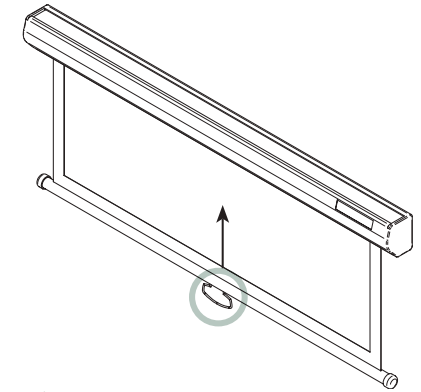


## Operation

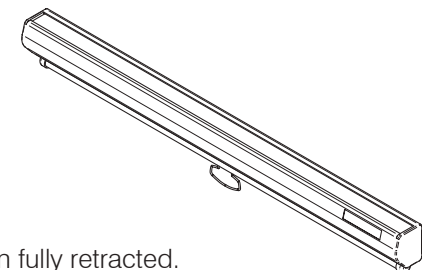
Lower the screen by pulling down the handle. Once in position, hold for 3 seconds: the self locking mechanism will lock screen into position.



Retract the screen by pulling down the handle and then let go of it. The screen will retract at a controlled speed.



Screen retracting slowly.



Screen fully retracted.