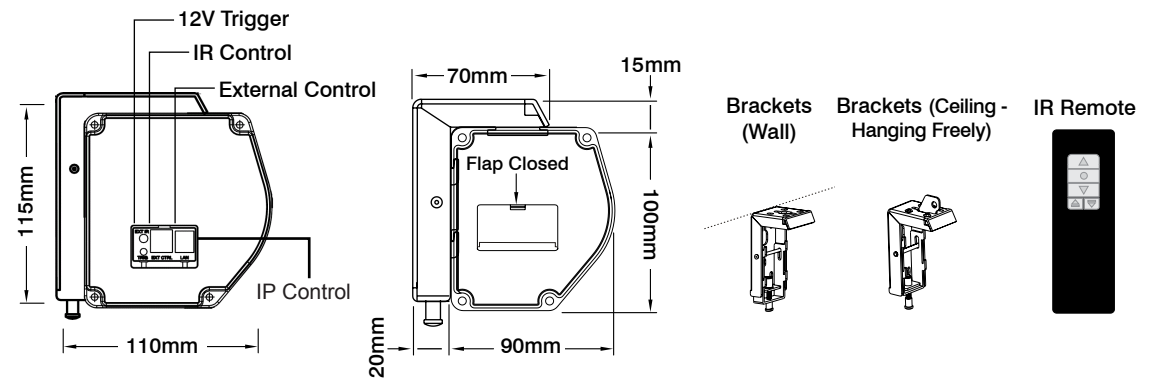
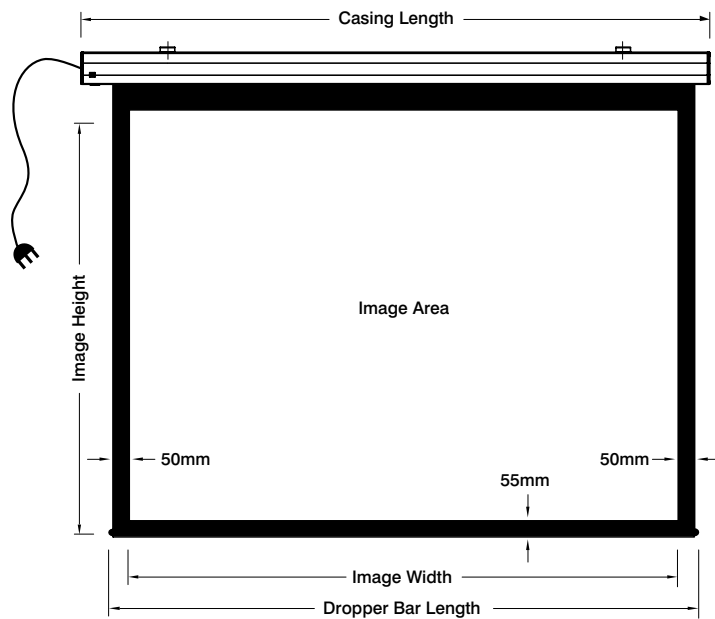


# Specification For Grandview Motorised Smart Screen GRANDVIEW®



## Features:

- IP control for third party or on board web server
- IR remote control with fine adjustments buttons  
External IR cable provided
- 12V trigger using 2.5mm output to screen and 3.5mm on projector end
- Cable for dry contact **and RS232** provided
- **Fabric gain 1.0**
- Manual override switch at base of the casing
- White Aluminium Designer Casing
- Projection fabric with 50mm black side borders
- Easy limit setting adjustment
- Universal Mounting system - "snap in" brackets can be positioned at any point along the casing

Product Code	Aspect Ratio	Diagonal Size (inches)	Image Size w x h (mm)	Casing Length (mm)	Dropper bar (mm)	Shipping Size w x h x d (mm)	Net Weight (kg)	Top Black Leader (mm)	To suit HideAway
GRIP084V	4:3	84"	1710 x 1280	1960	1815	2270 x 150 x 150	11	80	HH3
GRIP100V	4:3	100"	2030 x 1525	2280	2135	2590 x 155 x 160	14	80	HH3
GRIP120V	4:3	120"	2400 x 1800	2650	2530	2960 x 155 x 160	15	80	HH4
GRIP085H	16:9	85"	1880 x 1060	2130	1985	2445 x 155 x 160	12	600	HH3
GRIP092H	16:9	92"	2030 x 1145	2280	2135	2590 x 155 x 160	14	600	HH3
GRIP102H	16:9	102"	2260 x 1270	2520	2365	2820 x 155 x 160	15	600	HH4
GRIP112H	16:9	112"	2480 x 1395	2730	2585	3040 x 155 x 160	16	600	HH4
GRIP094C	16:10	94"	2025 x 1265	2275	2155	2590 x 155 x 160	14	600	HH3
GRIP103C	16:10	103"	2220 x 1385	2470	2340	2780 x 155 x 160	15	600	HH3
GRIP110C	16:10	110"	2370 x 1480	2620	2400	2960 x 155 x 160	17	600	HH4

\* For HideAway boxes to suit Grandview Screens specs please logon to [www.Hills.com.au](http://www.Hills.com.au)  
Grandview is distributed by Hills LTD. For more information check out [www.hills.com.au](http://www.hills.com.au) or call 1300445571