



Optional Lens User's Manual

Important Safety Instructions



(Always follow these instructions)





Please read this section on important safety instructions before replacing the projector lens. To prevent accidents during lens replacement and ensure product safety after replacing the lens, be sure to follow the safety instructions described herein.

- These symbols indicate actions that can result in injury or damage if these operations are not followed correctly.

 Warning	This symbol indicates that there is a possibility of serious injury or even death if the operation is not followed correctly
 Caution	This symbol indicates that there is a possibility of physical injury or damage to equipment if the operation is not followed correctly.

- These symbols indicate the types of precautions that must followed.

 This symbol indicates that caution must be taken.	 This symbol warns of possible high heat.
 This symbol warns of possible electrical shock.	 This symbol indicates an action that must not be performed.

 Warning
 ■ Make sure to follow the procedure on lens installation and removal for your safety.
 ■ Please read this manual and manuals for the projector to ensure correct usage through understanding. Incorrect usage could result in fire, an injury or damage.
 ■ Do not subject the device any shock or impact. Any shock or impact could result in an injury or damage. The lens projects out of the device. Take care not to strike it.

Notice

■ Take care of the lens.

- When transporting the lens, protect the lens by attaching the lens cap.
- Do not touch the lens to prevent fog or dirt on the lens that could cause deterioration of display quality.
- Do not touch the lens directly. Dirty lens may cause deterioration in image quality.
- The lens is a precision optical device. Carefully handle the lens without subjecting it to shocks or vibrations.
- When resting the lens on a surface, place the lens face down on a soft cloth.

■ Cleaning

- Use commercially available lens tissue to clean the lens (used to clean cameras, eyeglasses, etc.).
- Excepting for lens, use a soft cloth to clean. When excessively soiled dilute a neutral detergent in water, wet and wring out the soft cloth.
- Do not use detergents or chemicals other than those noted above (e.g. benzene or thinners).

Information for users applicable in European Union countries



This symbol on the product or on its packaging means that your electrical and electronic equipment should be disposed at the end of life separately from your household wastes. There are separate collection systems for recycling in EU.

For more information, please contact the local authority or the dealer where you purchased the product.

Operations

- Project an image as described in the Projector user's manual, and adjust the size and focus of the projected image.
- See the Projection Distance table in this user's manual for information on optional lens projection distances.

Note

- The distance of projection may not allow focusing on the peripheral area of the screen. Adjust the focus to keep the center and the peripheral area of the screen balanced.
- These specifications are subject to change without notice.
- The zoom lens may cause some distortion of the image on the screen depending on the zoom position.
- Distortion may appear on screen if the keystone correction (trapezoidal distortion correction) is overly adjusted.
- Keystone correction (trapezoidal distortion correction) may be limited with some lenses.

Important Operation Instructions

Warning



- **Do not place the lens in a location subject to direct sunlight or other strong lighting or near heat-radiating equipment.**

This can cause a fire due to the properties of the lens. It can also cause injury or damage to the lens.



- **Be sure to unplug the projector before replacing the lens.**

The inside of the projector has areas of high voltage which can cause electrical shock.



- **Before replacing the lens, be sure to turn off and unplug the projector, and allow the projector to fully cool down.**



- **When attaching, take care so that dust does not enter inside or stick to the connector.**

Continued use with dust inside may result in fire or electric shock.



- **If the projector is mounted on a ceiling, ask the dealer to replace the lens.**

This can cause injury.

Caution



- **When replacing the lens, do not touch the polarizing plates of the projector or subject them to shocks.**

This can cause damage to the equipment. It can also cause a misalignment of the optical adjustment and, therefore, require readjustments.



- **When replacing the lens, be careful not to damage the connectors or wires inside the projector.**

This can cause damage to the equipment. Be careful not to pull on the connectors or wires or get them caught in the circuit board or case.

Contents of package

The following accessories are included with each lens.

Lens	Model	Supplied accessories
Ultra short throw zoom lens	USL-901	Lens caps (front and rear) Optional Lens User's Manual
Short throw zoom lens	SL-902	Lens caps (front and rear) Optional Lens User's Manual
Standard zoom lens	SD-903X *1	Lens caps (front and rear) Optional Lens User's Manual
Standard zoom lens	SD-903W *2	Lens caps (front and rear) Optional Lens User's Manual
Middle throw zoom lens	ML-904	Lens caps (front and rear) Optional Lens User's Manual
Long throw zoom lens	LL-905	Lens caps (front and rear) Optional Lens User's Manual
Ultra long throw zoom lens	UL-906	Lens caps (front and rear) Optional Lens User's Manual

Specifications

Model		USL-901	SL-902	SD-903X*1	
Supported model		CP-X9110 CP-WX9210 CP-WU9410	CP-X9110 CP-WX9210 CP-WU9410	CP-X9110	
Zoom / Focus		Motorized	Motorized	Motorized	
Lens shift position	Vertical	CP-X9110	10:0 - 1:1	21.0:-1 - 1:1	21.0:-1 - 1:1
		CP-WX9210	21.0:-1 - 1:1	7.7:-1 - 1:1	—
		CP-WU9410	10:0 - 1:1	11.0:-1 - 1:1	—
	Horizontal	CP-X9110	6:4 - 4:6	6:4 - 4:6	6:4 - 4:6
		CP-WX9210			—
		CP-WU9410			—
F-number		1.8 - 2.3	1.8 - 2.3	1.6 - 2.0	
Focal length		11 - 14 mm	17 - 25 mm	24 - 36 mm	
Zoom ratio		1.3:1	1.5:1	1.5:1	
Projection ratio	CP-X9110	0.8 - 1.0:1	1.2 - 1.8:1	1.7 - 2.5:1	
	CP-WX9210	0.8 - 1.0:1	1.2 - 1.8:1	—	
	CP-WU9410	0.8 - 1.0:1	1.1 - 1.7:1	—	
Projection size		50 - 600 inch	50 - 600 inch	50- 600 inch	
Weight (Approximately)		1.8kg	2.0kg	1.3kg	

Specifications (continued)

Model		SD-903W*2	ML-904	LL-905	
Supported model		CP-WX9210 CP-WU9410	CP-X9110 CP-WX9210 CP-WU9410	CP-X9110 CP-WX9210 CP-WU9410	
Zoom / Focus		Motorized	Motorized	Motorized	
Lens shift position	Vertical	CP-X9110	—	21.0:-1 - 1:1	
		CP-WX9210	7.7:-1 - 1:1	7.7:-1 - 1:1	
		CP-WU9410	11.0:-1 - 1:1	11.0:-1 - 1:1	
	Horizontal	CP-X9110	—	6:4 - 4:6	6:4 - 4:6
		CP-WX9210	6:4 - 4:6		
		CP-WU9410	6:4 - 4:6		
F-number		1.6 - 2.0	1.8 - 2.3	1.8 - 2.2	
Focal length		24 - 36 mm	35 - 54 mm	51 - 83 mm	
Zoom ratio		1.5:1	1.5:1	1.6:1	
Projection ratio	CP-X9110	—	2.5 - 3.8:1	3.6 - 5.8:1	
	CP-WX9210	1.7 - 2.6:1	2.5 - 3.8:1	3.7 - 5.9:1	
	CP-WU9410	1.6 - 2.4:1	2.4 - 3.6:1	3.5 - 5.6:1	
Projection size		50 - 600 inch	50 - 600 inch	50 - 600 inch	
Weight (Approximately)		1.3kg	1.8kg	1.9kg	

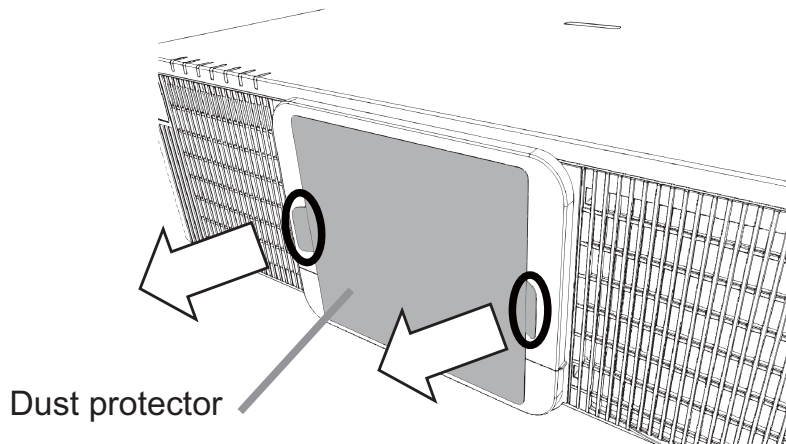
Model		UL-906	
Supported model		CP-X9110 CP-WX9210 CP-WU9410	
Zoom / Focus		Motorized	
Lens shift position	Vertical	CP-X9110	21.0:-1 - 1:1
		CP-WX9210	7.7:-1 - 1:1
		CP-WU9410	11.0:-1 - 1:1
	Horizontal	CP-X9110	6:4 - 4:6
		CP-WX9210	
		CP-WU9410	
F-number		1.8 - 2.3	
Focal length		82 - 130 mm	
Zoom ratio		1.6:1	
Projection ratio	CP-X9110	5.7 - 9.1:1	
	CP-WX9210	5.8 - 9.2:1	
	CP-WU9410	5.5 - 8.8:1	
Projection size		50 - 600 inch	
Weight (Approximately)		1.8kg	

*1 「SD-903X」 supports;
CP-X9110
(XGA model only)

*2 「SD-903W」 supports;
CP-WX9210, CP-WU9410.

Lens Installation Procedure

1. Pull out the dust protector knobs to remove it.

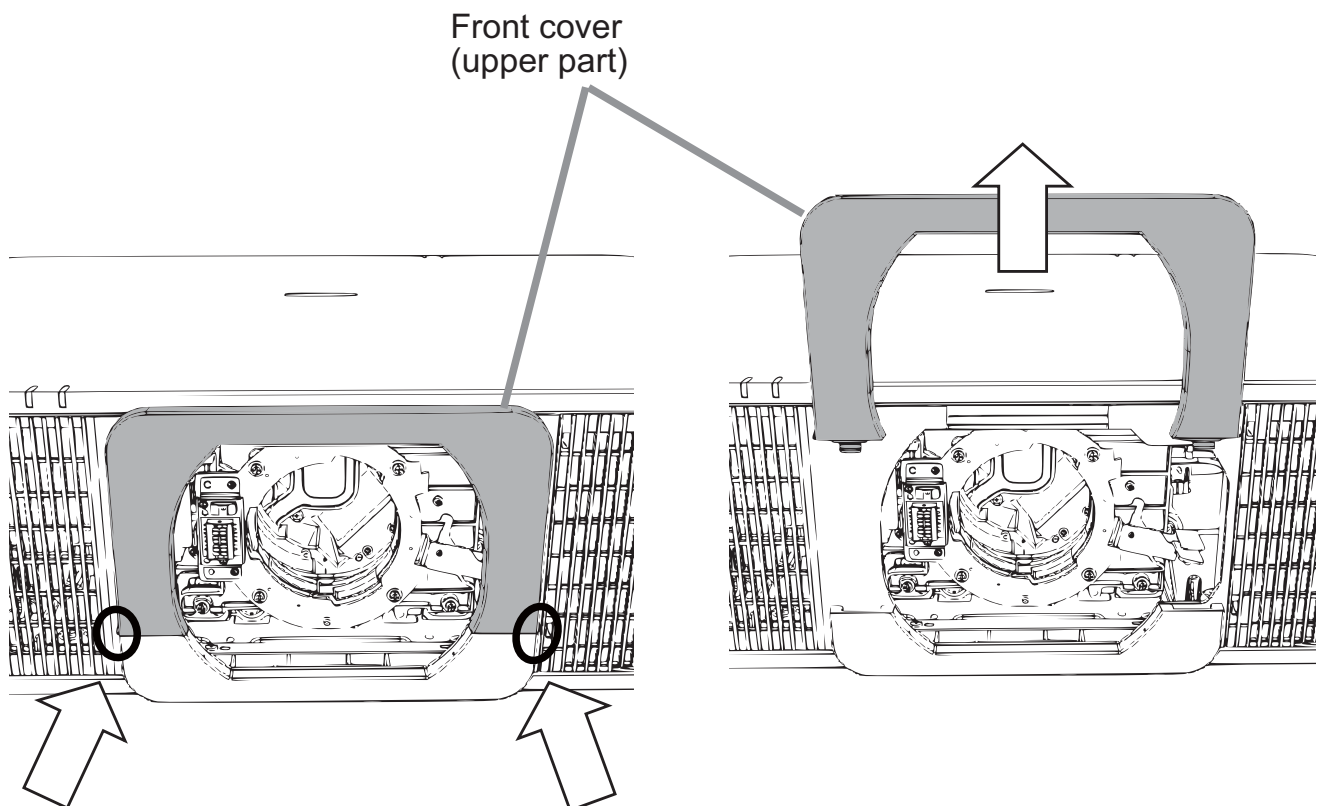


Note

- Keep the dust protector for future use.

2. Remove the front cover

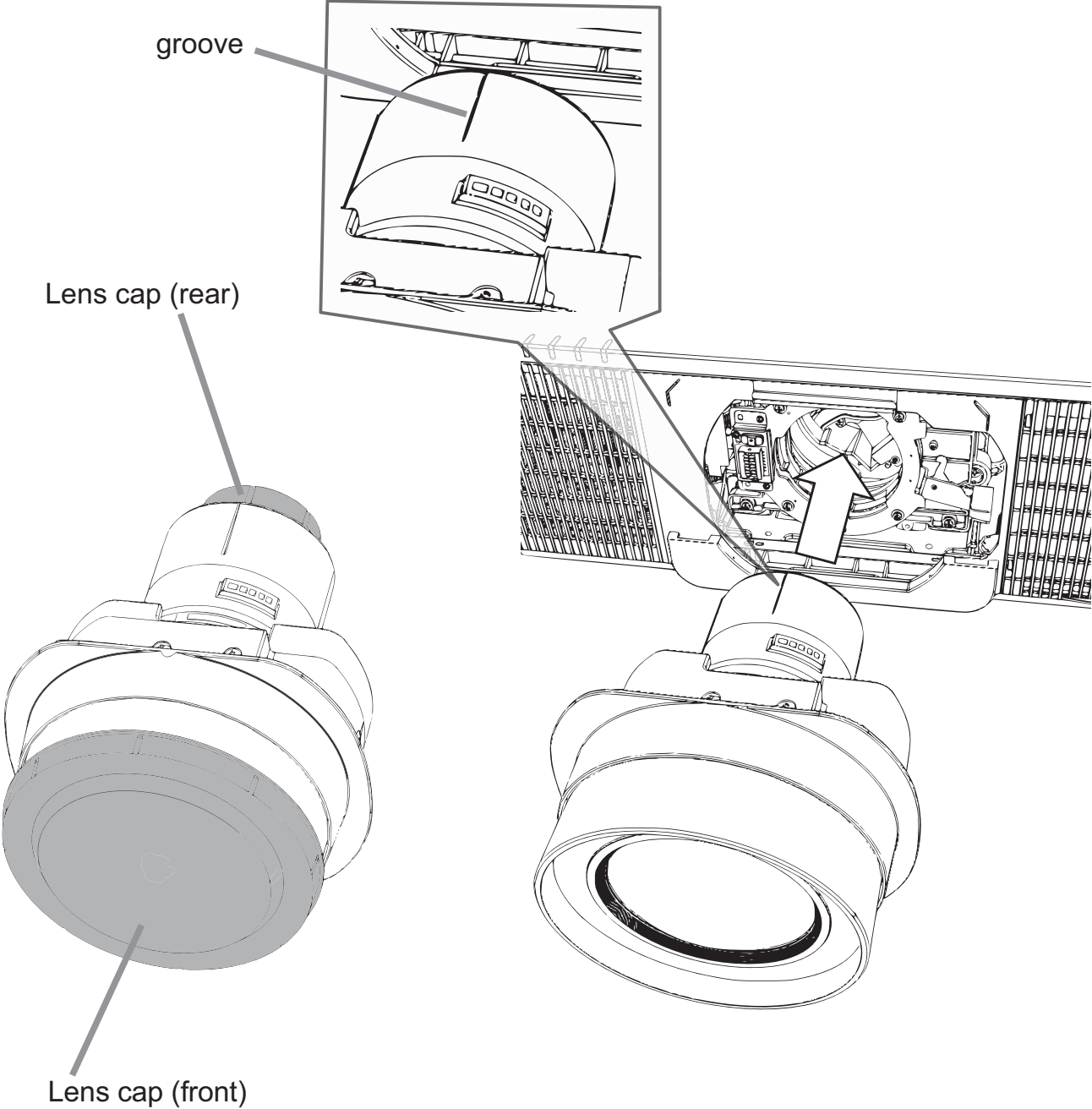
Move and slide the front cover up while pressing the front cover from the underside and remove the front cover from the projector.



Lens Installation Procedure (continued)

3. Install the lens

- (1) Remove the lens cap. Then turn the lens groove upward and install the lens into the projector.



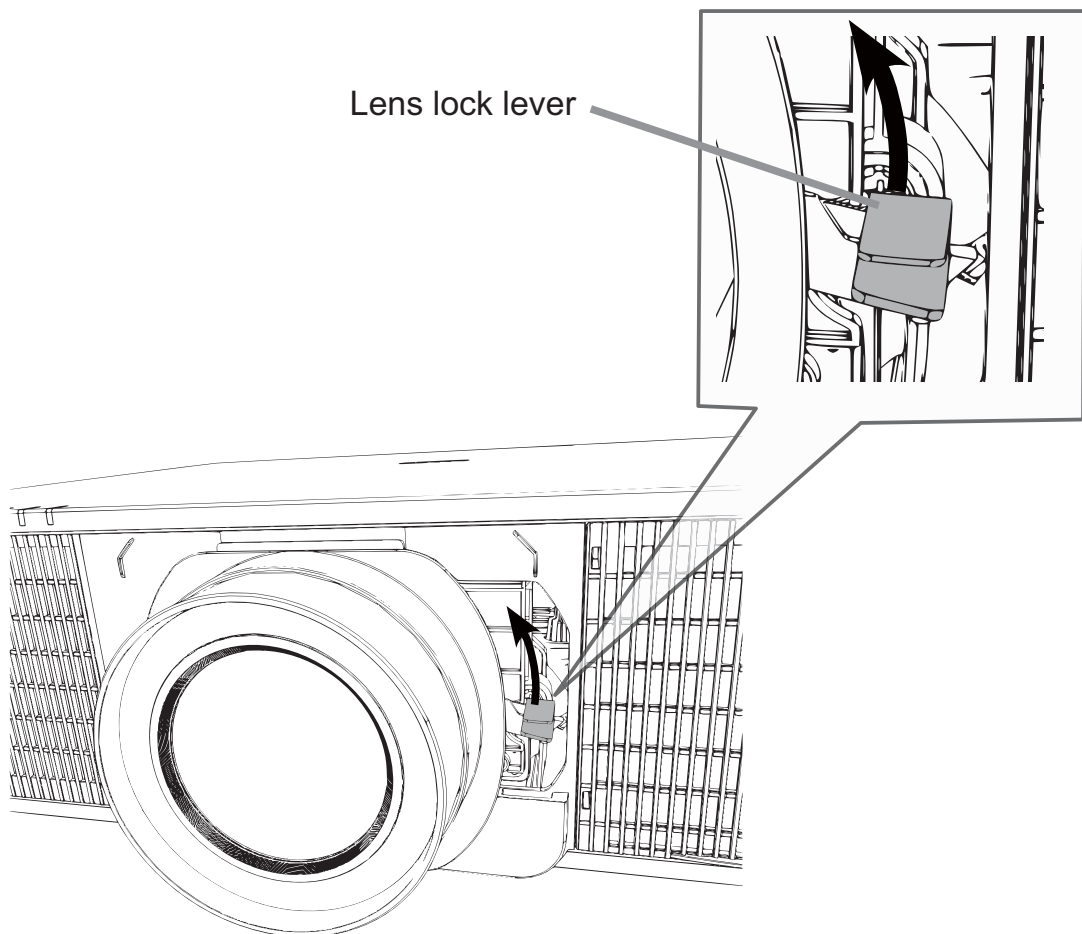
Lens Installation Procedure (continued)

⚠ Caution

- Installing the lens in the projector with the lens cap on may lead to malfunction.
- Avoid hitting the surface of the lens on the projector when attaching the lens as this may lead to malfunction.
- Do not touch the connector of the lens or subject it to impact as this may lead to malfunction.

3. Install the lens (continued)

- (2) Support the lens, and move the lens lock lever to the upside (until the lens lock lever clicks into the locked position).



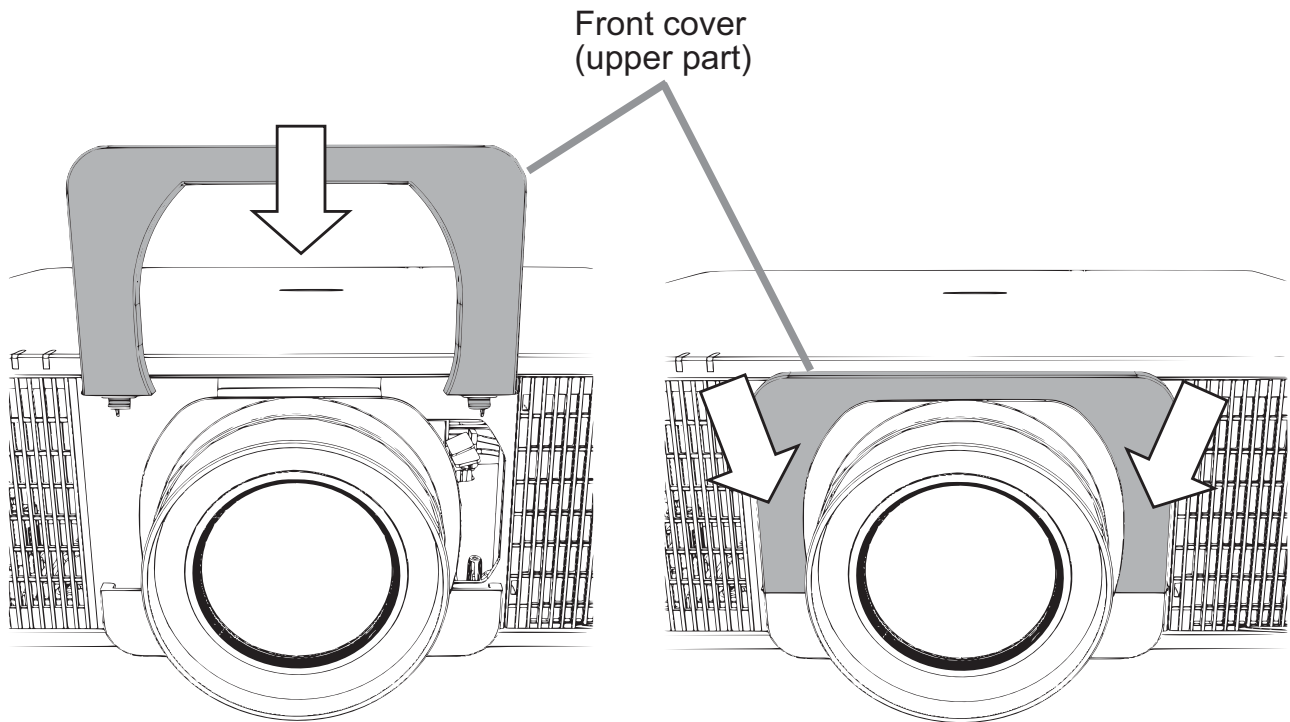
Lens Installation Procedure (continued)

⚠ Warning

- To prevent the lens from falling off, after attaching the lens, check that it is securely mounted and that the lens does not move. If the projector falls or topples over, it could result in injury or damage to the projector and the surrounding things.

4. Attaching the front cover

Insert the front cover into the projector body.



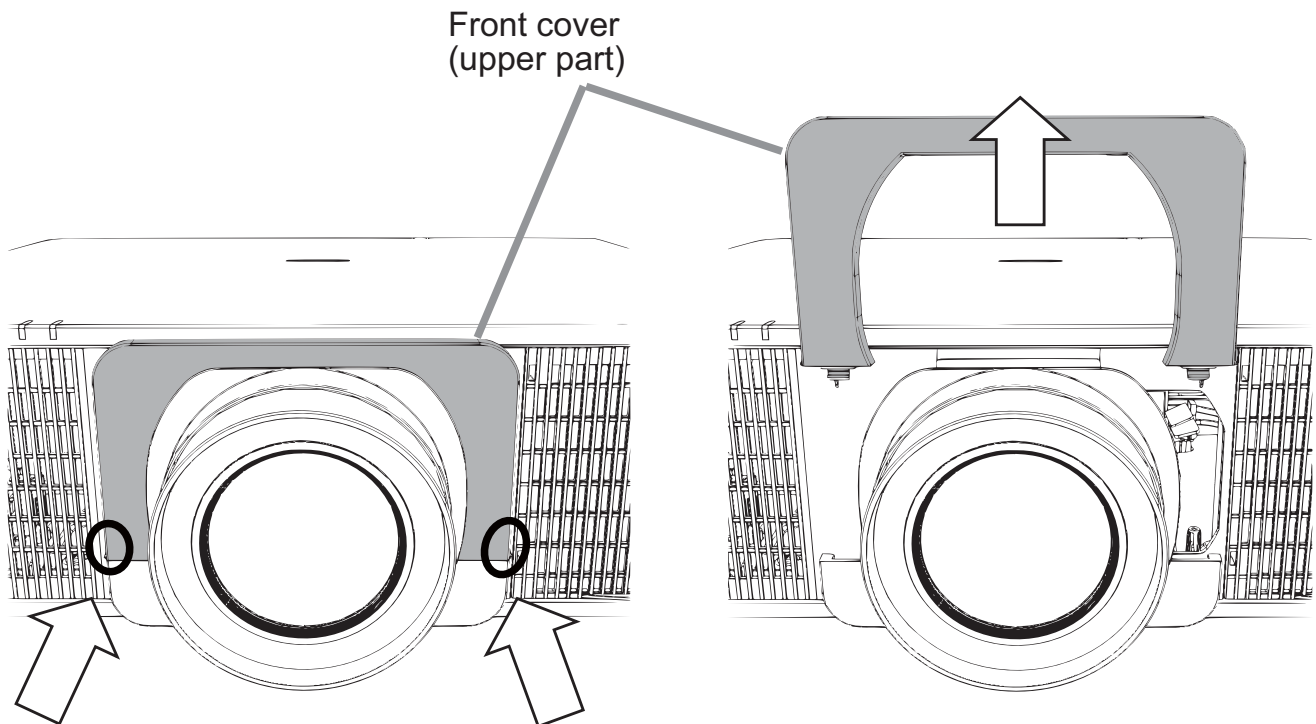
Lens Removal Procedure

1. Return the lens shift to the center position
 - (1) Press the **LENS SHIFT** button. The LENS SHIFT dialog will appear.
 - (2) Press the **ENTER** or **INPUT** button while the dialog is displayed to execute the CENTERING feature, which adjusts the lens to the center. A message dialog is displayed for confirmation.
 - (3) Pressing the **▶** button performs CENTERING.

Note

- You can also perform CENTERING in the standby mode by pressing the **FUNCTION** and **LENS SHIFT** buttons on the control panel for 3 seconds at the same time.

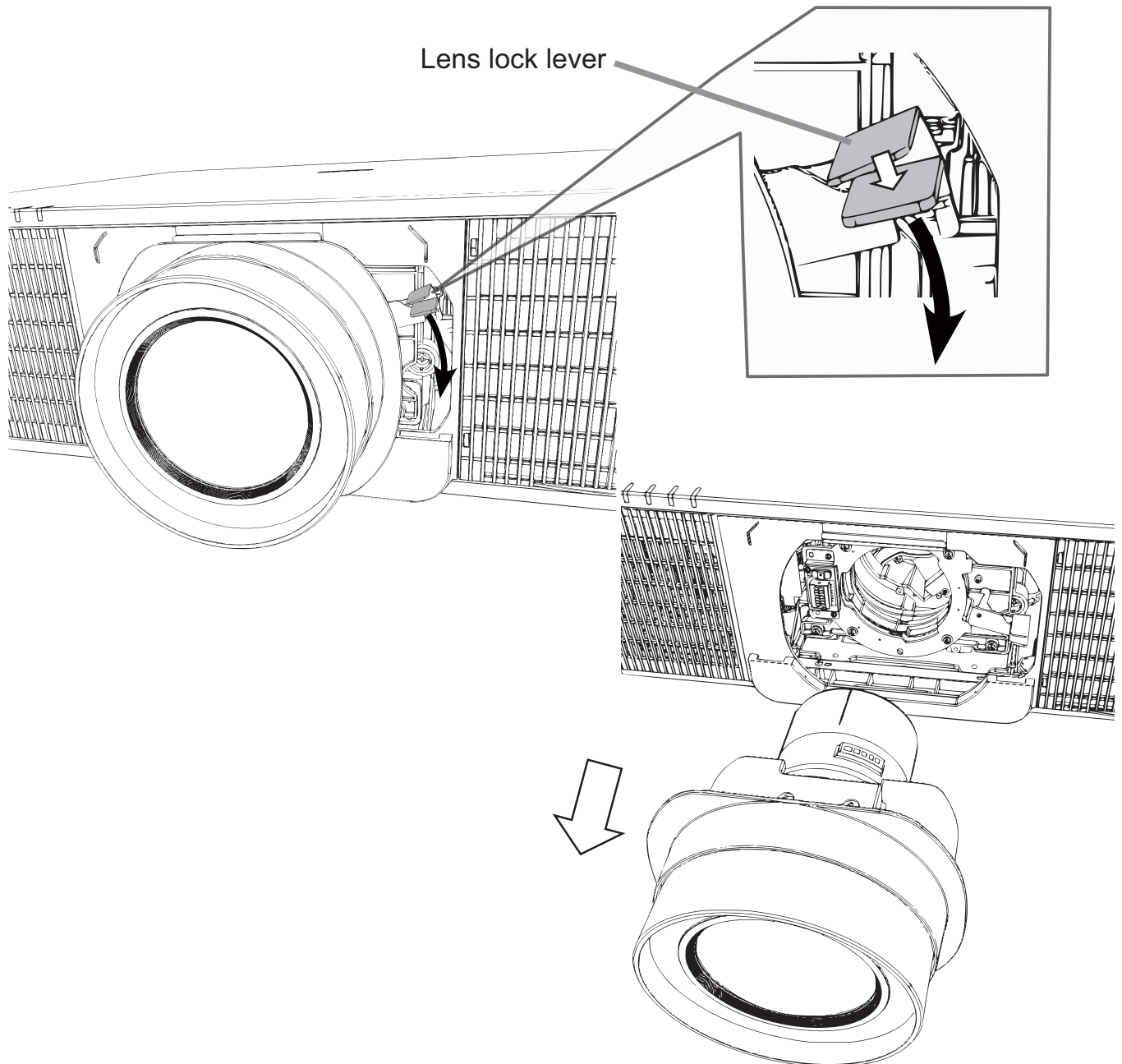
2. Turn off the projector
Turn off and unplug the projector, and allow the projector to sufficiently cool down.
3. Remove the front cover
Move and slide the front cover up while pressing the front cover from the underside and remove the front cover from the projector.



Lens Removal Procedure (continued)

4. Remove the lens

Support the lens, and lower the lens lock lever to the lowest position and remove the lens from the projector. You can move the lever while the upper plate touches lower one.



Note

Insert the dust protector to prevent any substance getting into the lens installation area.

⚠ Caution

- Avoid hitting the surface of the lens on the projector when removing the lens as this may lead to malfunction.
- Do not touch the socket of the lens or subject it to impact as this may lead to malfunction.

Adjustment of Ultra short throw zoom lens (USL-901)

The focus balance from the center to surrounding area varies on the screen size.

The Ultra short throw zoom lens has a focus adjustment function to adjust this balance.

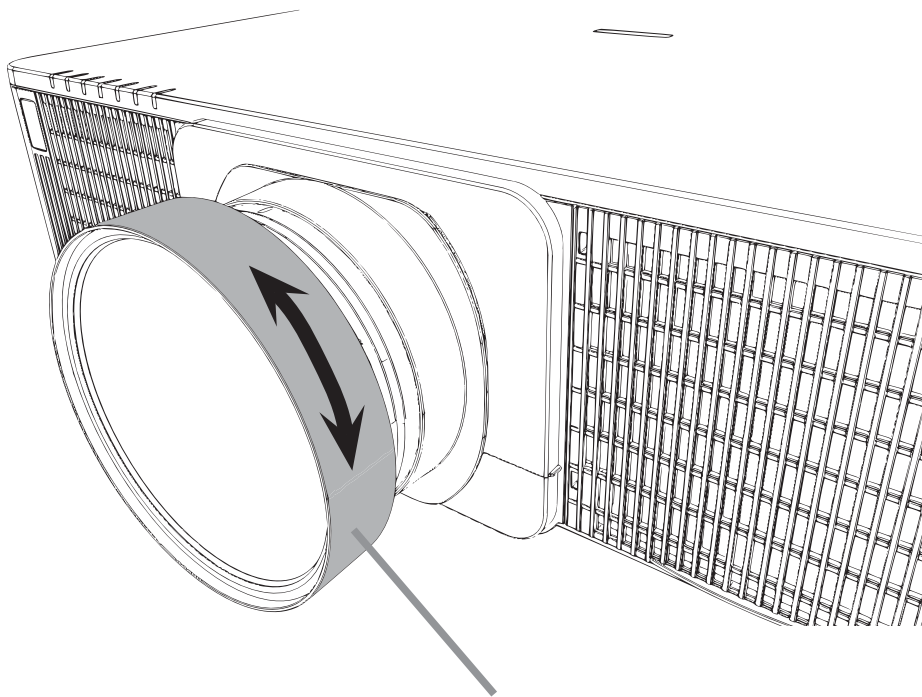
How to use Focus Adjustment

1. Focus adjustment of the image at the center

Use the remote control or the control panel of the projector to adjust the focus of the center.

2. Focus adjustment of the image at the surrounding area.

As the drawing below, rotate the Focus Adjustment ring to adjust the focus at the surrounding area.



Focus Adjustment ring

Note

The projection size and the scales indicated on the lens unit are for guidelines only.