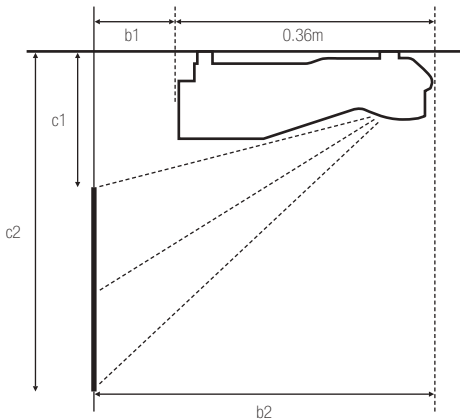
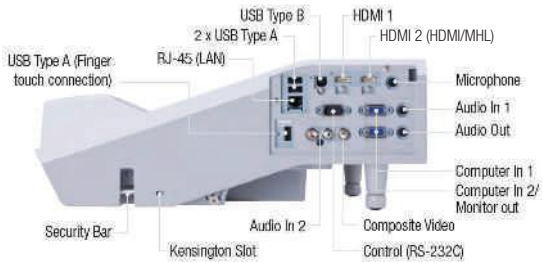


CP-AW3506

3LCD Lamp projector, 3700 ANSI Lumens, 16,000:1 contrast ratio, WXGA (1280 x 800) resolution

HITACHI
Inspire the Next

Technical Specifications



THROW CHART 16:10 ASPECT RATIO

Screen size (diagonal)	Projection distance (m)		Screen height (cm)	
	b1	b2	c1	c2
60" (1.5 m)	0.128	0.488	0.313	1.121
70" (1.8 m)	0.198	0.558	0.351	1.293
80" (2.0 m)	0.268	0.628	0.388	1.465
90" (2.3 m)	0.338	0.698	0.426	1.683
100" (2.5 m)	0.408	0.768	0.464	1.810

THROW CHART 16:9 ASPECT RATIO

Screen size (diagonal)	Projection distance (m)		Screen height (cm)	
	b1	b2	c1	c2
60" (1.5 m)	0.139	0.500	0.319	1.149
70" (1.8 m)	0.211	0.572	0.358	1.326
80" (2.0 m)	0.283	0.644	0.397	1.504
90" (2.3 m)	0.355	0.716	0.435	1.681
100" (2.5 m)	0.427	0.787	0.474	1.858

Hitachi Throw Calculator:
<http://www.hitachidigitalmedia.com/en-gb/throw-distance-calculator>

OPTICAL	
Display System	3LCD (0.59 inches) aspect ratio 16:10
Resolution	WXGA (1280 x 800)
Light Output (Brightness) ANSI Lumens	3700 (Normal)
Contrast Ratio	16,000:1
Lamp Life (Hours)	4000 (Normal), 6000 (Eco-2)
Lens	Built-in
Lens Zoom	Digital Zoom x 1.35
Lens Focus	Powered Focus
Lens Shift	Not Supported
Projection Lens F Number	1.6
Focus Distance	0.41m – 0.69m (center of glass to screen)
Distance to Width Ratio/ Throw Ratio (-:1)	0.3
Diagonal Display Size	60 – 100 inches

FEATURES	
Installation	Ceiling, Tabletop, Rear
Speakers	16W Mono
Digital Keystone	Horizontal: ±5 degrees, Vertical: ±5 degrees
Picture Modes	Normal, Cinema, Dynamic, Board (Black), Board (Green), Whiteboard, Daytime, Photo, DICOM SIM ASPECT selection (Normal/4:3/16:9/16:10/14:9/Zoom/Native), Perfect Fit (4 corners and 4 sides), Frame Lock (Data signal with vertical frequency of 49 to 51 Hz, 59 to 61 Hz), HDCR, Image blank by RS232C/Remote control, Image Optimizer, Magnify, Mirror Reverse Image, Up-side Down Image
Picture Adjustments	
Network Features	Wireless Capability(Optional), Multi Projector, Moderator Control Mode, Projector Quick Connection (ios / Android app), Projector Monitoring and Control from a Remote Location, E-mail Alerts
Security Features	Password/Myscreen Password, Pin Lock, Key Lock
Supported Languages	34 Languages (English, French, German, Spanish, Italian, Norwegian, Dutch, Japanese, Portuguese, Simplified Chinese, Traditional Chinese, Korean, Swedish, Russian, Finnish, Polish, Turkey, Arabian, Persian, Czech, Danish, Hungarian, Romanian, Slovenian, Croatian, Greek, Lithuanian, Estonian, Latvian, Thai, Portuguese(Brazil), Indonesian, Vietnamese, Hebrew)

COMPATIBILITY	
Computer	IBM Compatible VGA, SVGA, XGA, WXGA, WXGA+/SXGA/SXGA+/UXGA (compressed)
Video	525i(480i), 525p(480p), 625i(576i), 625p(576p) 1125i(1080i@50/60), 1125p(1080p@50/60)

CONNECTIONS	
Digital Input	HDMI x 2 (HDCP compliant)
Analogue Input	15-pin Mini-D-Sub x 2, RCA Jack x 1
Video Output	15 pin Mini D-Sub x 1
Audio Input	3.5mm Stereo Mini Jack x 2, RCA Jack (L/R) x 1
Audio Output	3.5mm Stereo Mini Jack x 1
RS-232C Control	1 x 9-pin D-Sub
Wireless LAN	Yes (Optional)
Wired LAN	RJ45 connector x 1
USB Type-A	USB type A x 2 (PC less Presentation or Wireless adapter)
USB Type-B	USB type B x 1 (USB display or USB mouse control)
Wired Remote I/O	Not Supported

POWER	
Power Supply	AC 100V – 120V / AC 220V – 240V (50/60Hz)
Power Consumption Operating / Standby	360W / Less than 0.35W

PHYSICAL	
Weight	4.4kg
Dimensions (W x H x D)	382 x 141 x 362mm
Operation Noise	37db (Normal), 32db (Eco), 28db (Eco-2)

CERTIFICATION	
Certification	CE Marking, EN61000-3-2, EN61000-3-3, EN55032(class A), EN55024(EMC directive), EN60950-1 (Low voltage directive), WEEE/RoHS compliant

ACCESSORIES	
Supplied Accessories	Power cord (EU cord 1.8 m) x1, Computer Cable (2.0 m) x1, IR Remote Control Unit x1, "AA" Batteries x2, Cable Cover x1, Adapter Cover x1, PIN Code Sticker
Optional Accessories	USB-WL-11N (wireless adapter)
Replacement Lamp / Filter	DT01411 / UX37191 (Hybrid)
Remote Control	HL03033

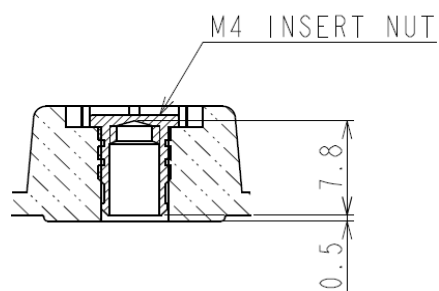
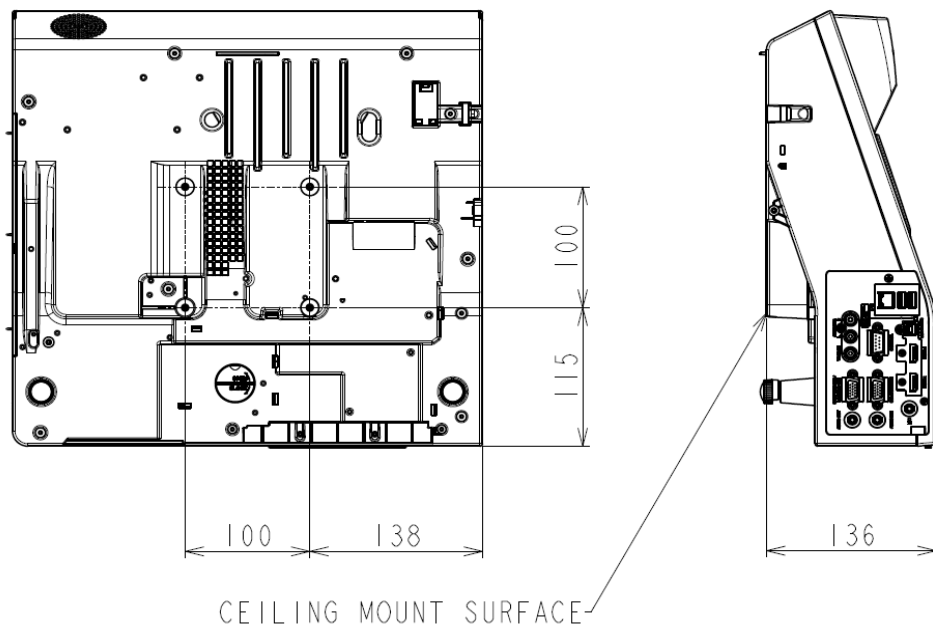
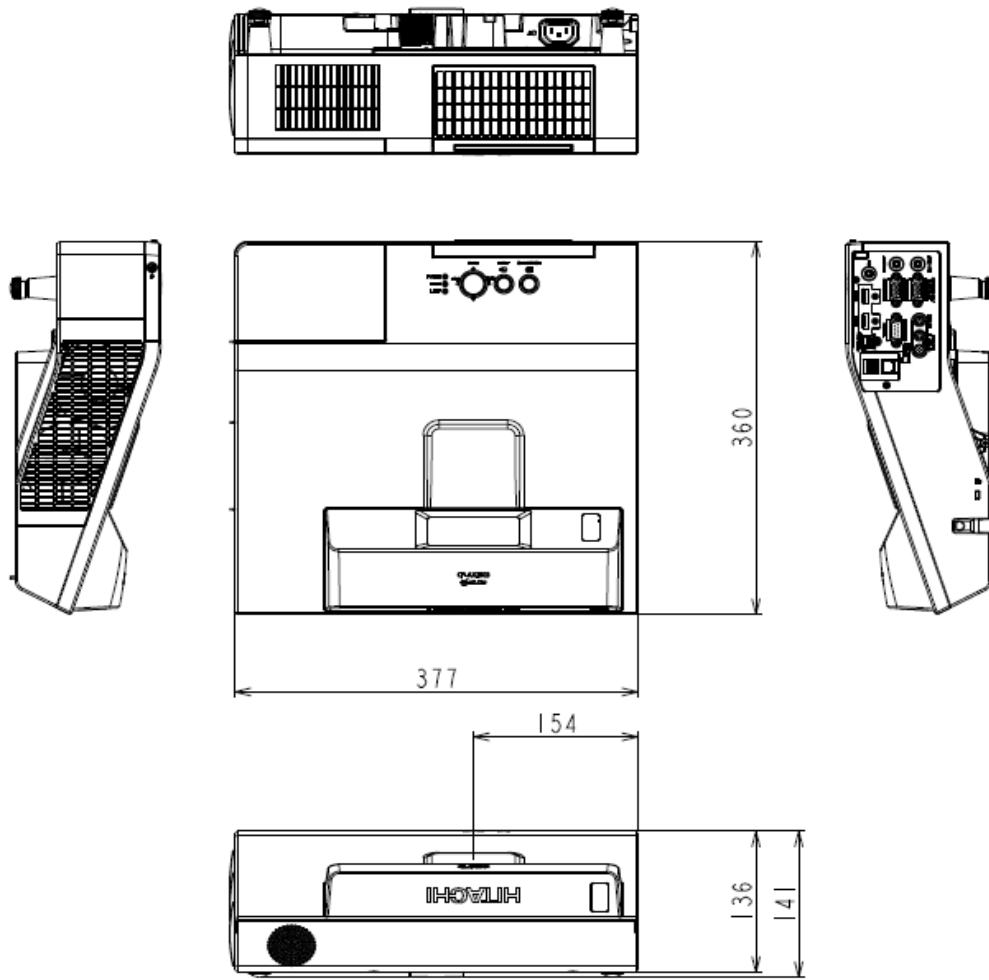
WARRANTY	
Projector / Lamp Warranty	3 years / 3 years (for education and extended warranties please contact your local dealer)



HITACHI DIGITAL MEDIA, Hitachi Europe Ltd, Whitebrook Park, Lower Cookham Road, Maidenhead, Berkshire SL6 8YA UNITED KINGDOM
Tel: +44 (0)1628 585 000 Fax: +44 (0)1628 585 163 www.hitachidigitalmedia.com

The specification above and photography is for reference only and may be subject to change.

* When Saving function is enabled in Standby mode, some features such as Wireless, LAN and control might not work. Please change Standby function to Normal to enable the projector features when projector is in Standby.



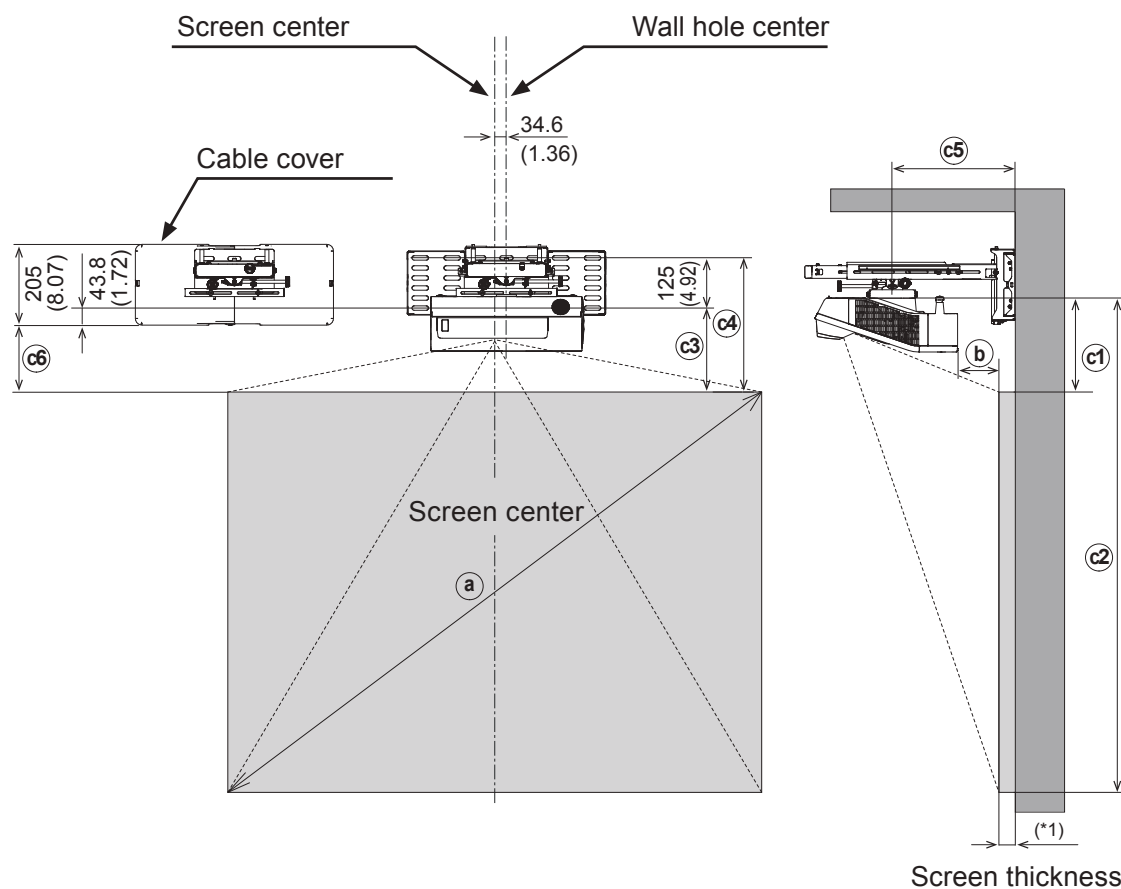
INSERT NUT 断面

HAS-WM05

Base bracket attachment diagram

Note:

The wall hole center is 34.6 mm (1.36 inches) to the right of the screen center.



Unit: mm (inches)

Sheet projecting distance table

16:10 screen (Full screen: Reference value for 1,280 × 800 pixel image.)

a	b	c1	c2	c3	c4	c5	c6
Diagonal size (inches)	mm (inches)	mm (inches)	mm (inches)	mm (inches)	mm (inches)	mm (inches)	mm (inches)
60	128(5.04)	308(12.13)	1116(43.94)	279.3(11.00)	404.3(15.92)	342.6(13.49)	235.5(9.27)
70	198(7.80)	346(13.62)	1288(50.71)	317.3(12.49)	442.3(17.41)	412.6(16.24)	273.5(10.77)
80	268(10.55)	383(15.08)	1460(57.48)	354.3(13.95)	479.3(18.87)	482.6(19.00)	310.5(12.22)
90	338(13.31)	421(16.57)	1632(64.25)	392.3(15.44)	517.3(20.37)	552.6(21.76)	348.5(13.72)
100	408(16.06)	459(18.07)	1805(71.06)	430.3(16.94)	555.3(21.86)	622.6(24.51)	386.5(15.22)

4:3 screen (Full screen: Reference value for 1,024 × 768 pixel image.)

a	b	c1	c2	c3	c4	c5	c6
Diagonal size (inches)	mm (inches)	mm (inches)	mm (inches)	mm (inches)	mm (inches)	mm (inches)	mm (inches)
60	104(4.09)	219(8.62)	1133(44.61)	190.3(7.49)	315.3(12.41)	318.6(12.54)	146.5(5.77)
70	170(6.69)	242(9.53)	1309(51.54)	213.3(8.40)	338.3(13.32)	384.6(15.14)	169.5(6.67)
80	236(9.29)	265(10.43)	1484(58.43)	236.3(9.30)	361.3(14.22)	450.6(17.74)	192.5(7.58)
90	302(11.89)	288(11.34)	1660(65.35)	259.3(10.21)	384.3(15.13)	516.6(20.34)	215.5(8.48)
100	368(14.49)	310(12.20)	1834(72.20)	281.3(11.07)	406.3(16.00)	582.6(22.94)	237.5(9.35)

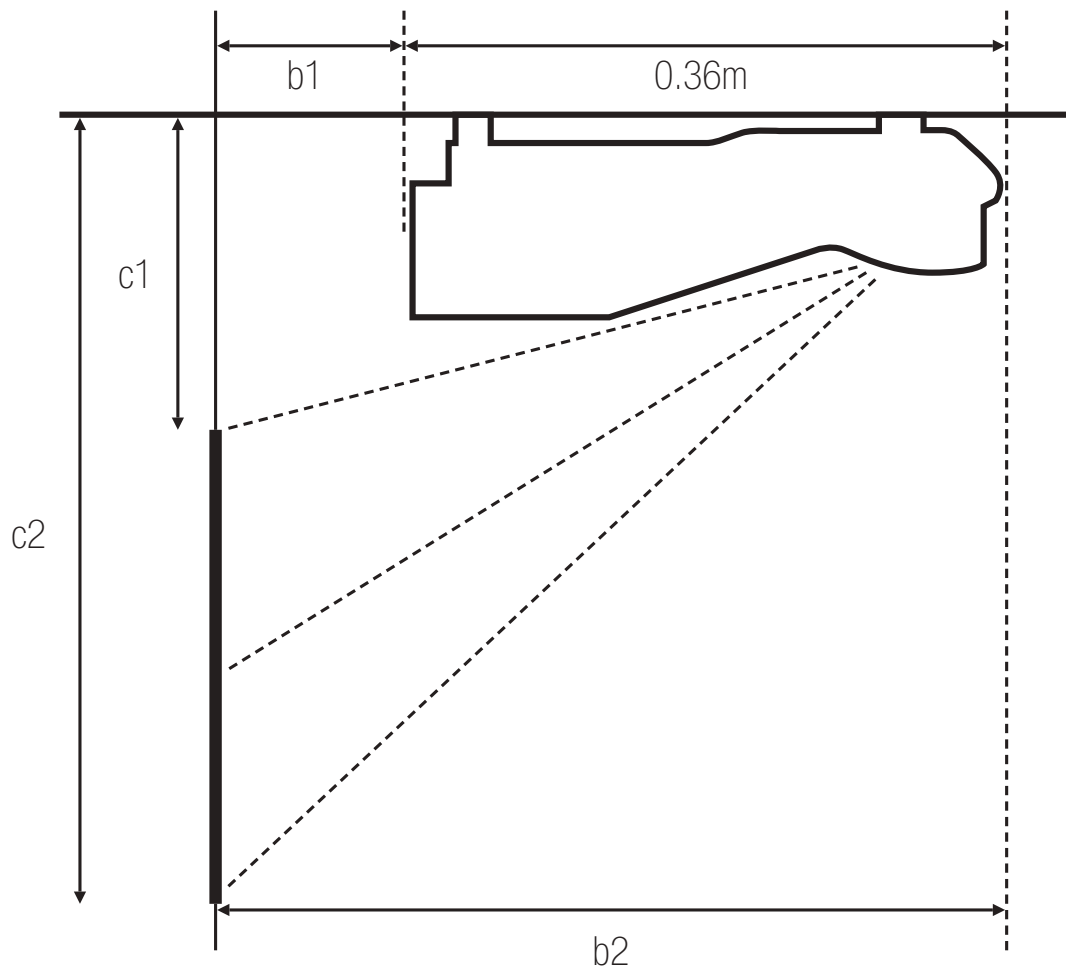
(b) Screen front from projector back (c1) Screen top from bracket mounting surface (c2) Screen bottom from bracket mounting surface (c3) Screen top from bottom mounting hole on wall (c4) Screen top from top mounting hole on wall (c5) Bracket center from wall surface (c6) Screen top from bottom of cable cover

(*1) For a 50 mm thick screen

Size of images that can be projected with screen sizes of up to 100 inches.

* Use of the supplied template sheet will facilitate positioning of the base bracket.

Note: Note that projection distance (b) will vary by ±3% depending on what product is used.



THROW CHART 16:10 ASPECT RATIO

Screen size (diagonal)	Projection distance (m)		Screen height (cm)	
	b1	b2	c1	c2
60" (1.5 m)	0.128	0.488	0.313	1.121
70" (1.8 m)	0.198	0.558	0.351	1.293
80" (2.0 m)	0.268	0.628	0.388	1.465
90" (2.3 m)	0.338	0.698	0.426	1.683
100" (2.5 m)	0.408	0.768	0.464	1.810

THROW CHART 16:9 ASPECT RATIO

Screen size (diagonal)	Projection distance (m)		Screen height (cm)	
	b1	b2	c1	c2
60" (1.5 m)	0.139	0.500	0.319	1.149
70" (1.8 m)	0.211	0.572	0.358	1.326
80" (2.0 m)	0.283	0.644	0.397	1.504
90" (2.3 m)	0.355	0.716	0.435	1.681
100" (2.5 m)	0.427	0.787	0.474	1.858