

# Technical Manual

# JBL2241G/H

## SPECIFICATIONS



### ACOUSTIC & ELECTRICAL SPECIFICATIONS:

- Nominal Impedance: 4 ohm (G) / 8 ohm (H)
- Power Capacity: 600W Continuous Pink Noise
- Frequency Range: 30 Hz to 3 kHz
- Sensitivity: 98 dB SPL\*
- Crossover Frequencies: N/A

### SYSTEM COMPONENTS:

- Cabinet: N/A
- Grille: N/A
- Low Frequency Transducer: 460mm (18 in.) Cone Transducer (2241G/H)
- DC Resistance: 2.5 ohm  $\pm$ 10% Aluminum Wire (G)  
5.0 ohm  $\pm$ 10% Aluminum Wire (H)

### AURAL SWEEP TEST SPECIFICATIONS:

- A. L.F. Aural Sweep Test: 7.0V Input, 20 Hz to 1.2 kHz (G)
- L.F. Aural Sweep Test: 10.0V Input, 20 Hz to 1.2 kHz (H)

### PHYSICAL SPECIFICATIONS:

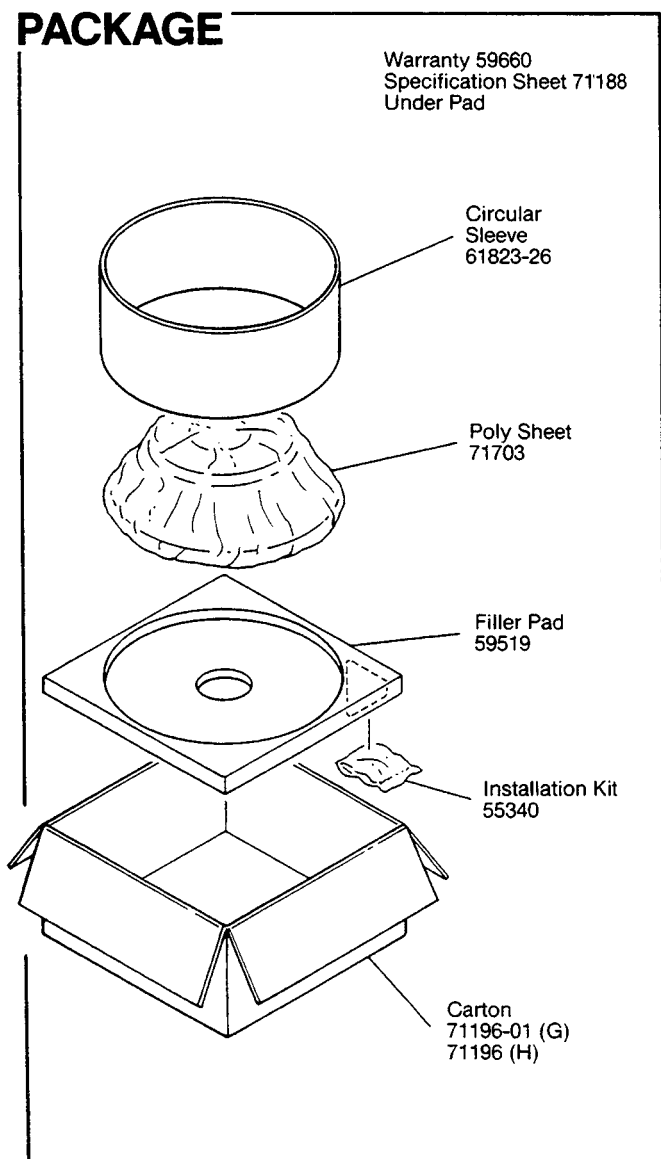
- Enclosure Dimensions: 464mm x 464mm x 187mm D  
(18.25 x 18.25 x 7.375 in. D)
- Shipping Weight: 25.5 lbs. (11.6 kg)

### WARRANTY INFORMATION:

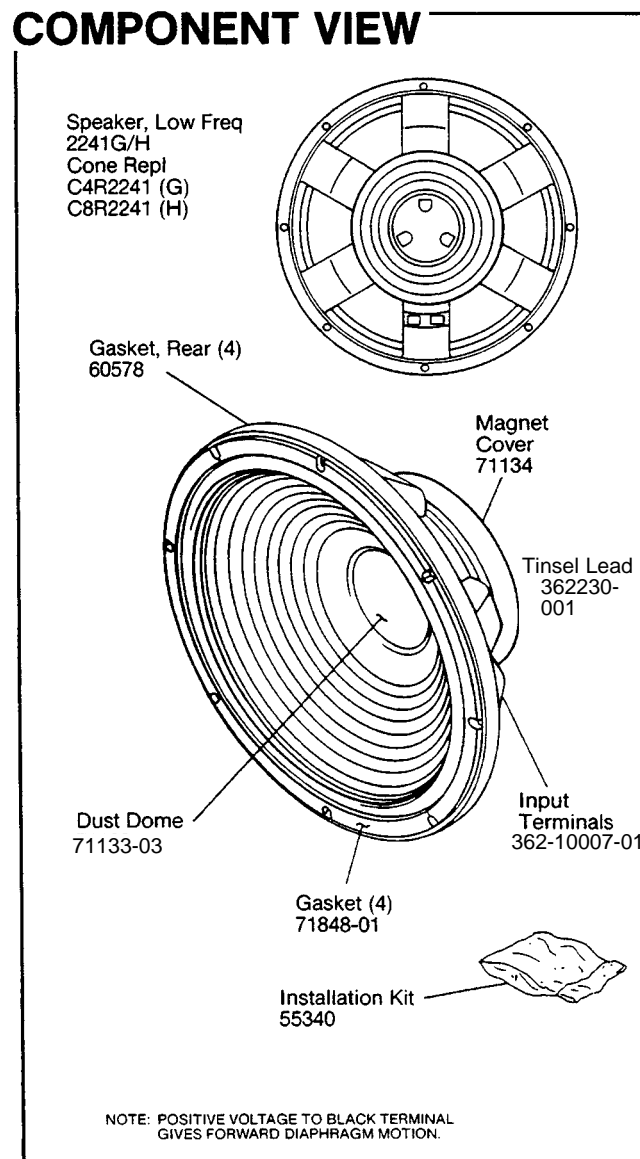
- Refer to the Warranty Statement packed with each product.

\*1 Watt (2.0 V RMS) @ 1 Meter (G)  
\*1 Watt (2.83 V RMS) @ 1 Meter (H)

## PACKAGE



## COMPONENT VIEW



JBL2241G/H REV G

