

# Technical Manual

# JBL2402H

## SPECIFICATIONS



### ACOUSTIC & ELECTRICAL SPECIFICATIONS:

- Nominal Impedance: 8 ohm
- Power Capacity: 40W Continuous Program
- Frequency Range: 2.5 kHz to 15 kHz (-10 dB)
- Sensitivity: 110 dB SPL\*
- Crossover Frequencies: 2.5 kHz or Higher

### SYSTEM COMPONENTS:

- Cabinet: N/A
- Grille: N/A
- Ultra-High Frequency Transducer: 44mm (1-3/4 in.) Aluminum Diaphragm (2402H)
- DC Resistance: 6.25 ohm ±8% Aluminum Wire

### AURAL SWEEP TEST SPECIFICATIONS:

- A. H.F. Aural Sweep Test: 1.0V Input, 1.0 kHz to 20.0 kHz

### PHYSICAL SPECIFICATIONS:

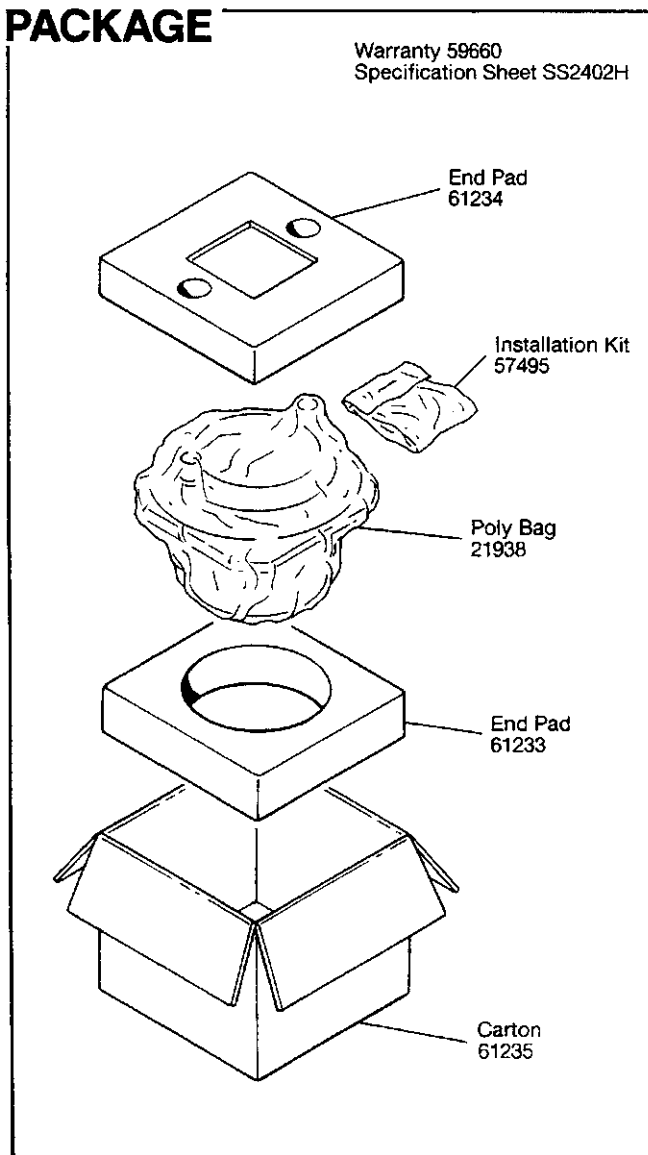
- Enclosure Dimensions: 121mm x 121mm x 98mm D (4.75 x 4.75 x 3.875 in. D)
- Shipping Weight: 5-3/4 lbs. (2.6 kg.)

### WARRANTY INFORMATION:

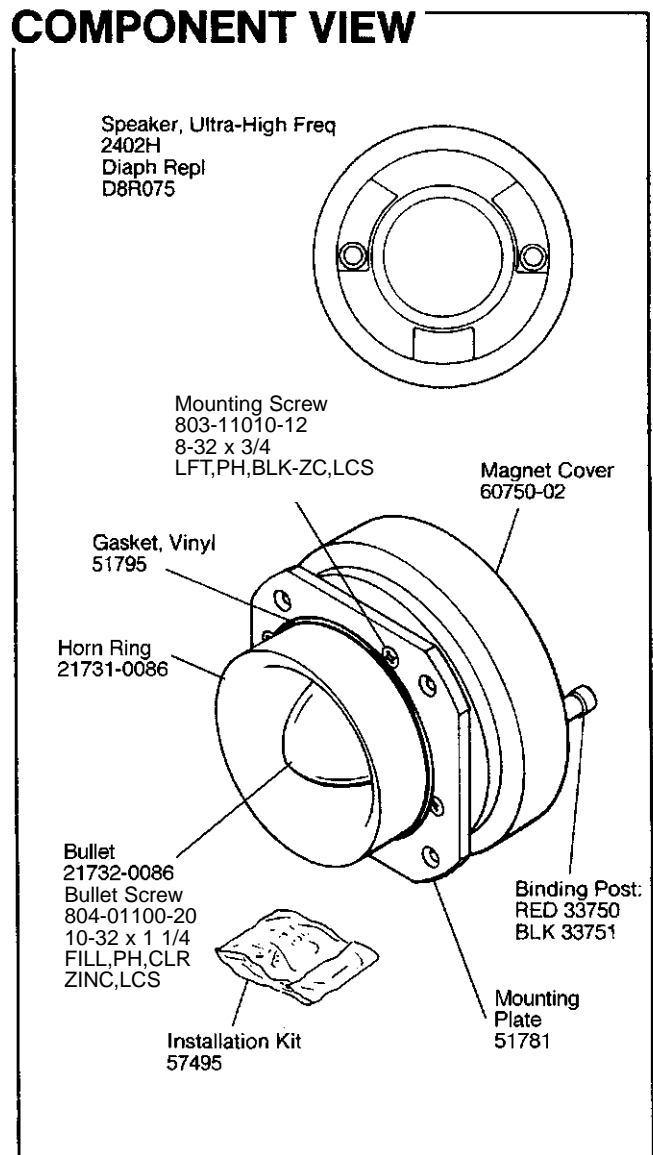
- Refer to the Warranty Statement packed with each product.

\*1 Watt (2.83 V RMS) @ 1 Meter

## PACKAGE



## COMPONENT VIEW

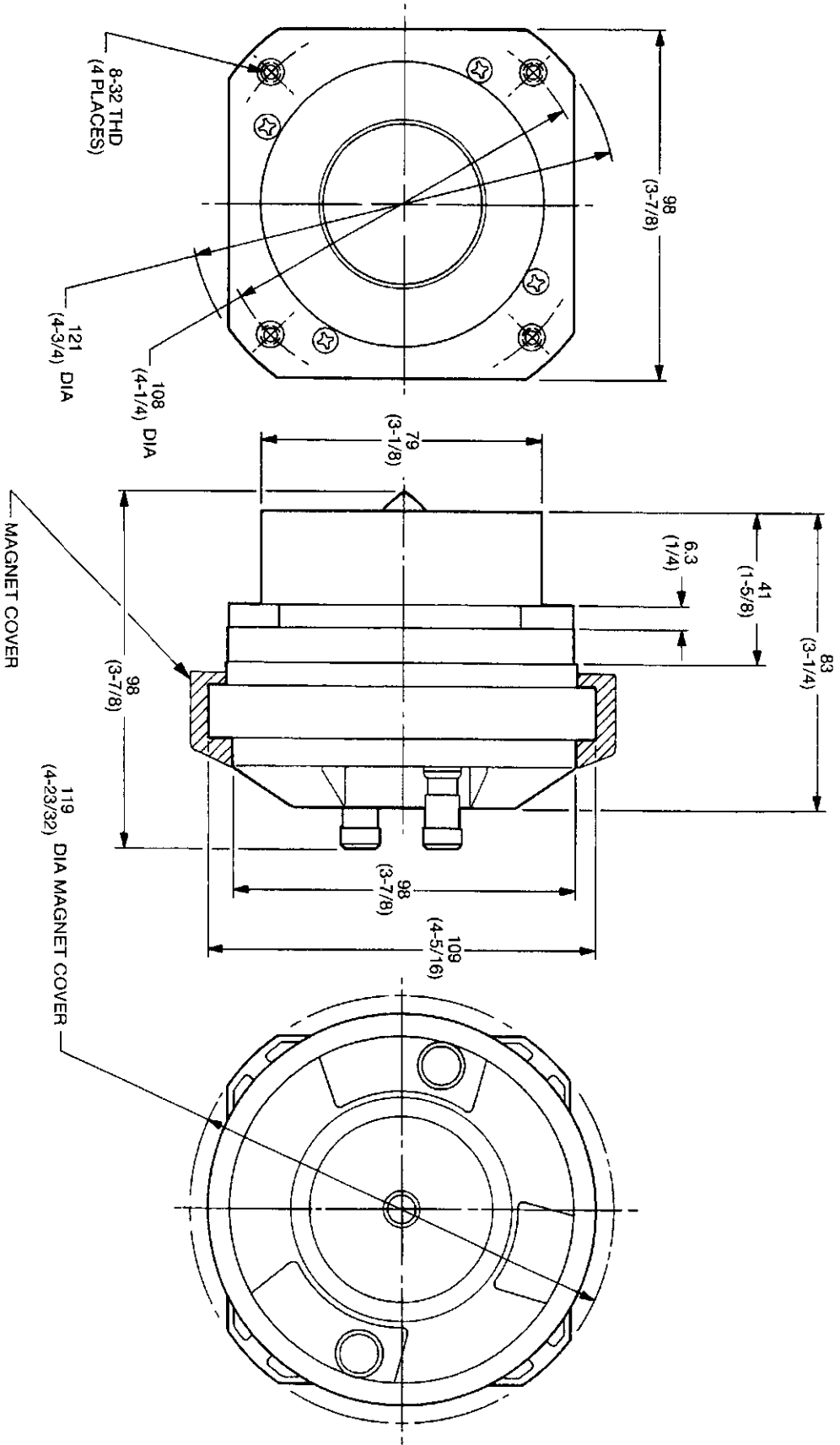


JBL 2402H REV E

# JBL 2402H

## MECHANICAL DRAWING

THESE DIMENSIONS AND SPECIFICATIONS ARE THE PROPERTY OF JBL INCORPORATED. THEY ARE ISSUED IN STRICT CONFIDENCE AND SHALL NOT BE REPRODUCED OR TRANSMITTED IN ANY FORM OR BY ANY MEANS, ELECTRONIC OR MECHANICAL, INCLUDING PHOTOCOPYING, RECORDING, OR BY ANY INFORMATION STORAGE AND RETRIEVAL SYSTEM, WITHOUT THE WRITTEN PERMISSION OF JBL INCORPORATED.



ALL DIMENSIONS ARE REF. ONLY  
NOTE: DIMENSIONS IN ( ) ARE IN INCHES

JBL 2402H