

Technical Manual

JBL4208

SPECIFICATIONS



ACOUSTIC & ELECTRICAL SPECIFICATIONS:

- Nominal Impedance: 8 ohm
- Power Capacity: 75W Continuous Pink Noise
300W Peak Pink Noise
- Frequency Range: 38 Hz to 21 kHz
- Sensitivity: 89 dB SPL*
- Crossover Frequencies: 2.6 kHz

SYSTEM COMPONENTS:

- Cabinet: C4208
- Grille: 73841
- Low Frequency Transducer: 200mm (8 in.) Cone Transducer (M/I 508G-3S)
- DC Resistance: 5.9 ohm \pm 5% Copper Wire

SYSTEM COMPONENTS: (cont'd)

- High Frequency Transducer: 25mm (1 in.) Pure Titanium Dome (M/I 031TiS)
- DC Resistance: 3.5 ohm to 4.2 ohm Copper Wire
- Crossover Network: 74679

AURAL SWEEP TEST SPECIFICATIONS:

- A. System Aural Sweep Test: 7.0V Input, 20 Hz to 20 kHz
- B. L.F. Aural Sweep Test: 4.0V Input, 20 Hz to 1.2 kHz
- C. H.F. Aural Sweep Test: 2.0 V Input, 2.0 kHz to 20 kHz

PHYSICAL SPECIFICATIONS:

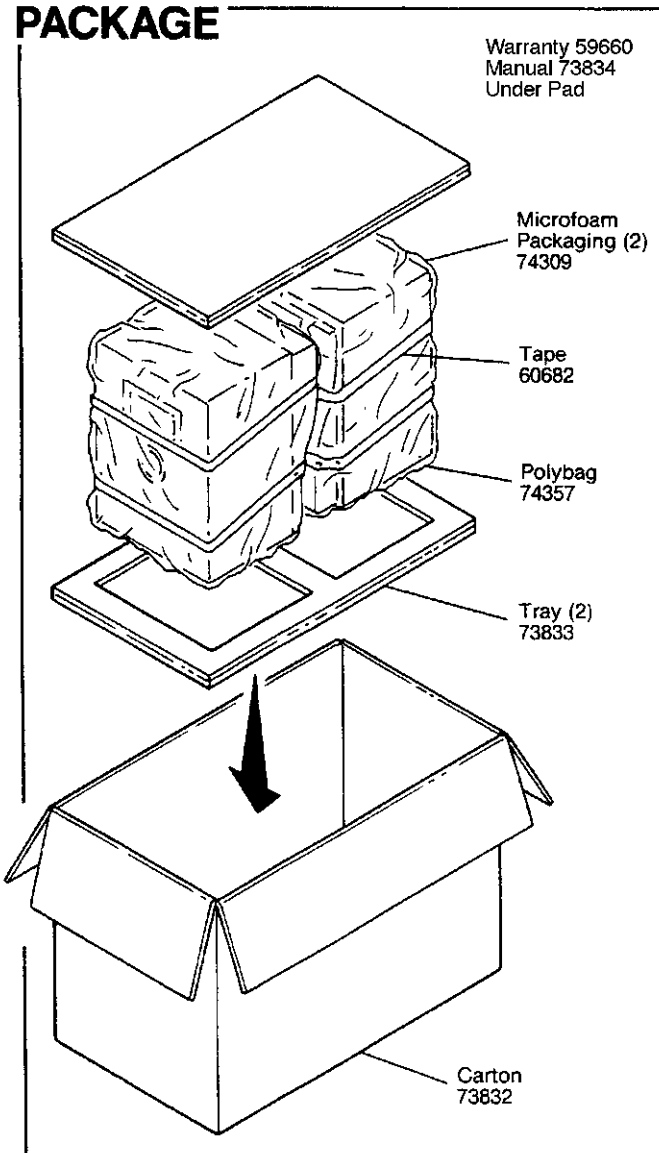
- Enclosure Dimensions: 451mm x 286mm x 229mm D (17.75 x 11.25 x 9 in. D)
- Shipping Weight: 48 lbs. (21.8 kg) Pair

WARRANTY INFORMATION:

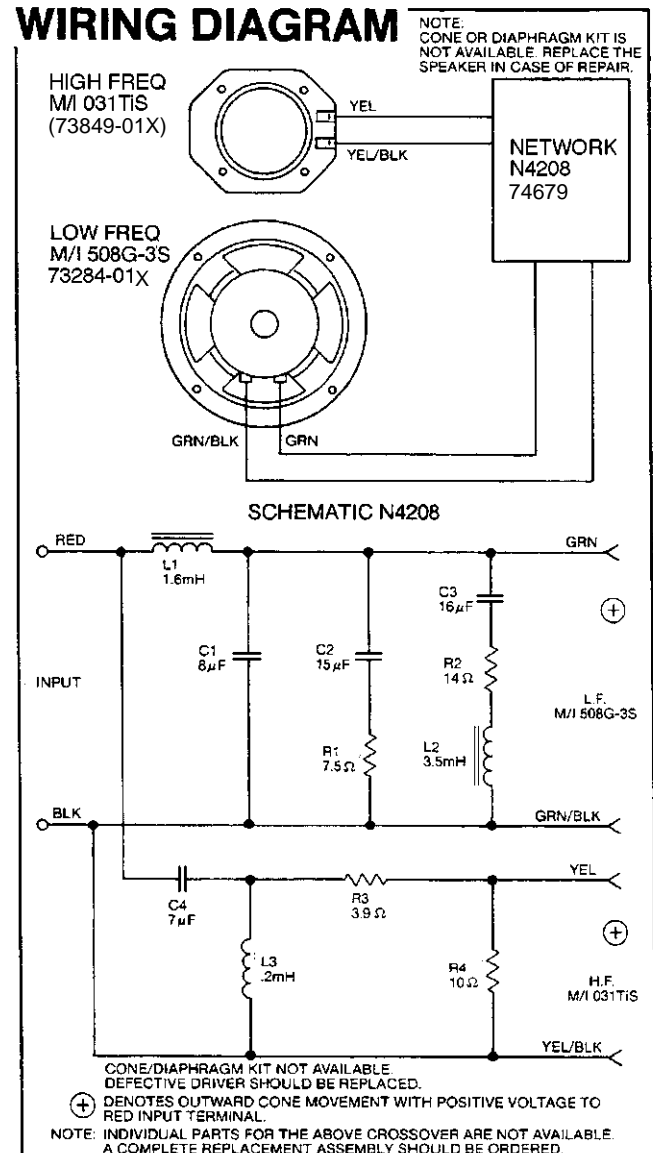
- Refer to the Warranty Statement packed with each product.

*1 Watt (2.83 V RMS) @ 1 Meter

PACKAGE



WIRING DIAGRAM



JBL4208 REV N

JBL4208

COMPONENT EXPLODED VIEW

