

# Technical Manual



# JBL4312A L,R CONTROL MONITOR

## SPECIFICATIONS

### ACOUSTIC & ELECTRICAL SPECIFICATIONS:

- Nominal Impedance: 8 ohm
- Power Rating: 100 Watts
- Frequency Response: 45 Hz to 20 kHz ( $\pm 3$ dB)
- Sensitivity: 91 dB, 1W, 1m\*
- Crossover Frequencies: 1.5 kHz, 7 kHz

### SYSTEM COMPONENTS:

- Cabinet: C4312
- Grille: G4312
- Low Frequency Transducer: 300mm (12 in.) Aquaplas Cone Transducer

\*1 Watt (2.83 V RMS) @ 1 Meter

### SYSTEM COMPONENTS: (cont'd)

- Mid Range Transducer: 130mm (5 in.) Felted Paper Cone Transducer
- High Frequency Transducer: 25mm (1 in.) Pure Titanium Dome Transducer
- Crossover Network: 3112D, 3 Way System\*

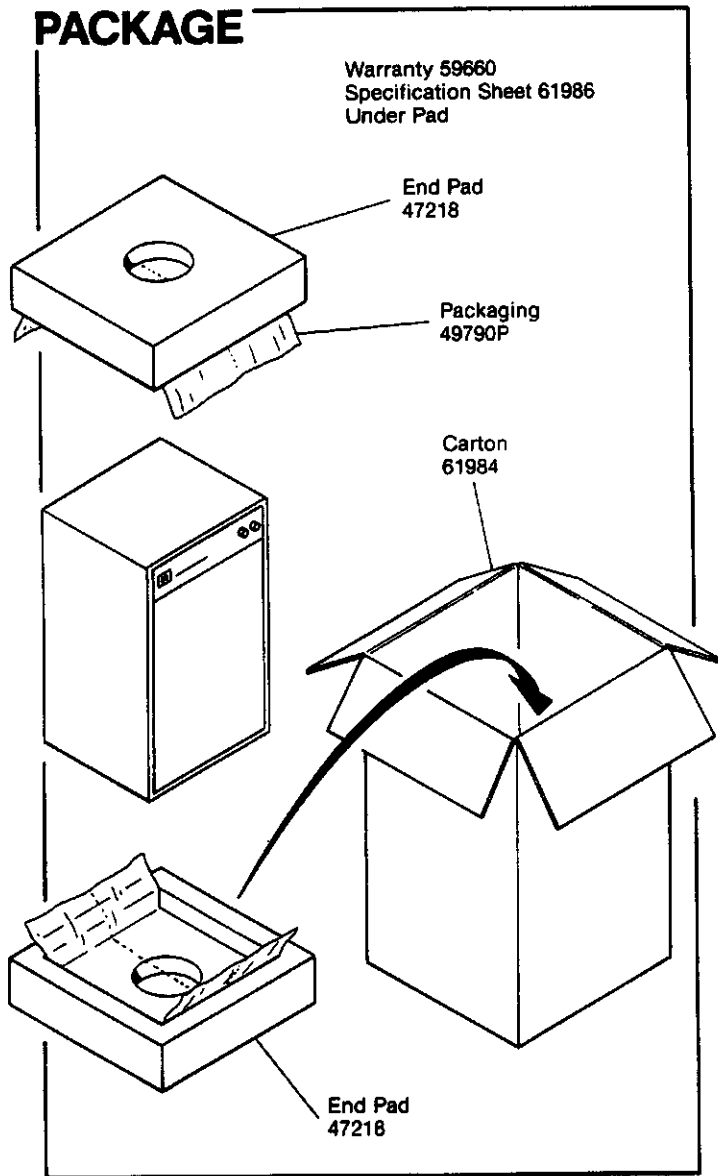
### PHYSICAL SPECIFICATIONS:

- Enclosure Dimensions: 597mm x 362mm x 298mm D (23.5 x 14.25 x 11.75 in. D)
- Shipping Weight: 52 lbs.

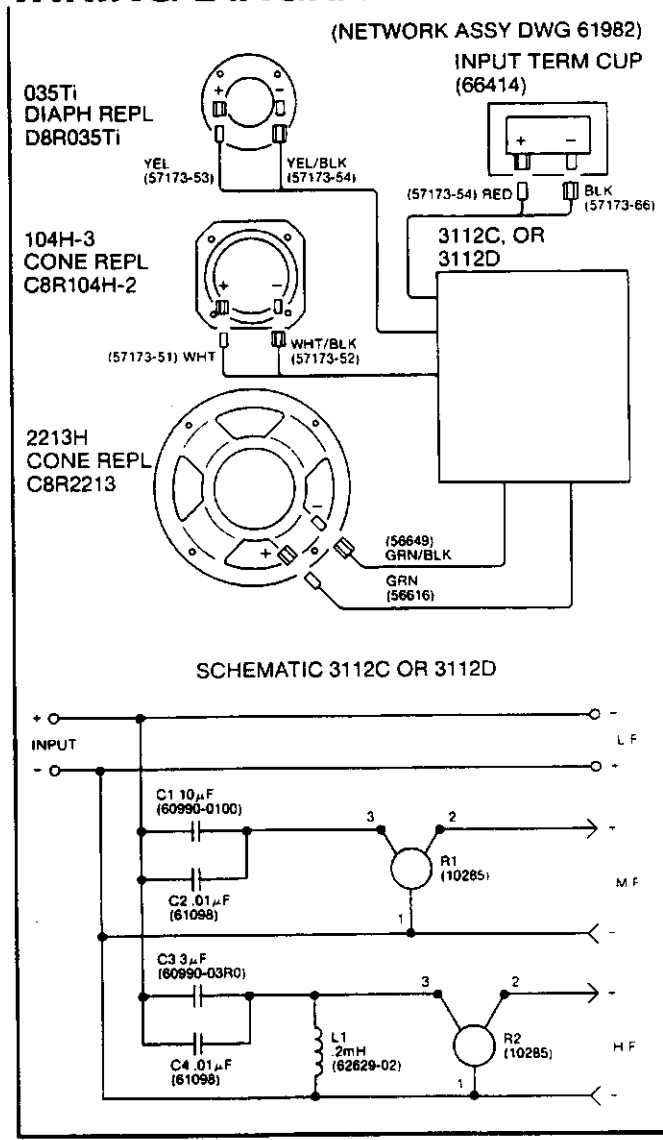
### WARRANTY INFORMATION:

- Refer to the Warranty Statement packed with each product.

## PACKAGE



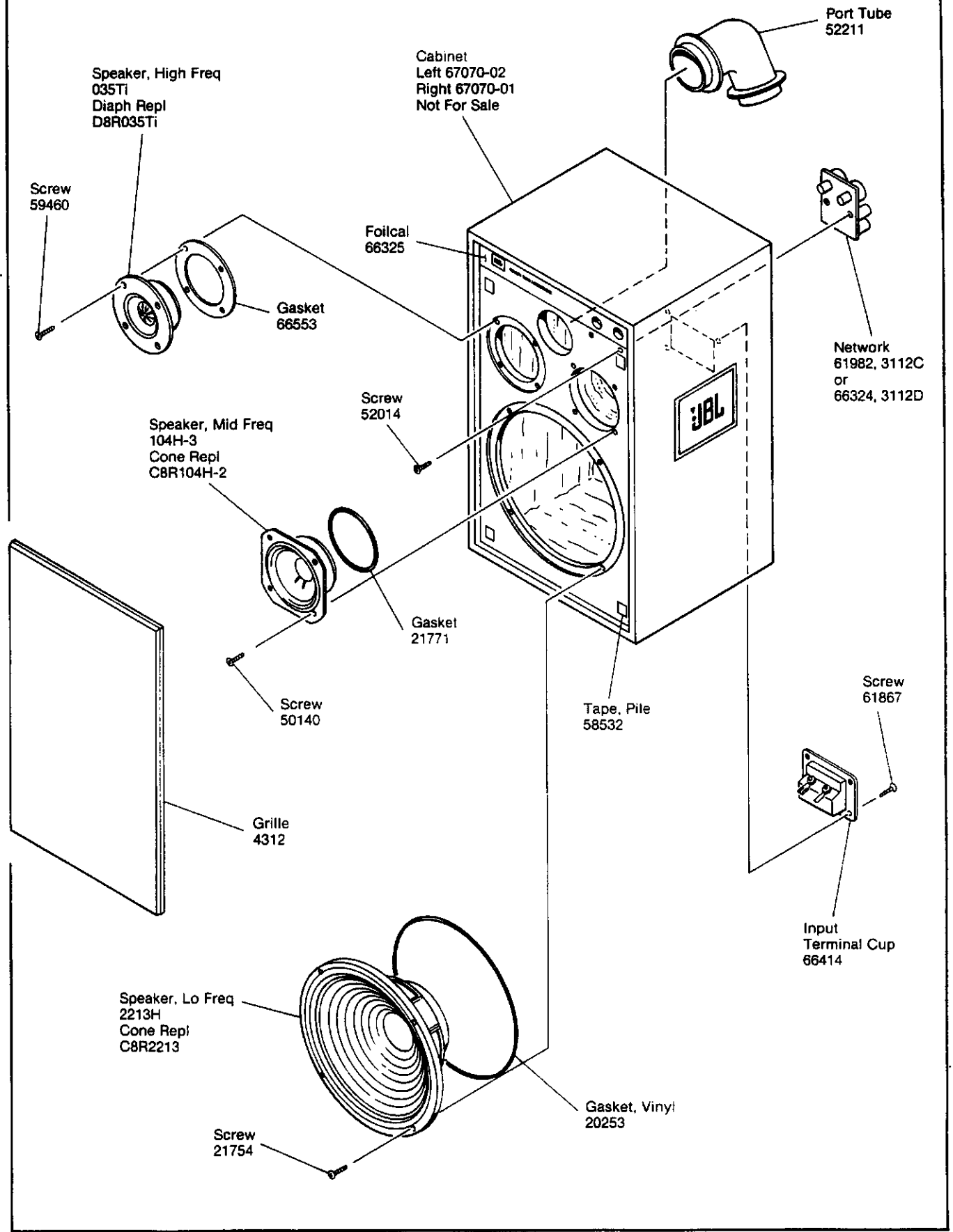
## WIRING DIAGRAM



JBL4312A L,R REV A

# JBL4312A L,R

## COMPONENT EXPLODED VIEW



JBL4312A L,R