



# JBL4312C CONTROL MONITOR

## SPECIFICATIONS

### ACOUSTIC & ELECTRICAL SPECIFICATIONS:

- Nominal Impedance: 8 ohm
- Power Capacity: 100 Watts
- Frequency Range: 45 Hz to 20 kHz ( $\pm 3$ dB)
- Sensitivity: 91 dB SPL\*
- Crossover Frequencies: 1.5 kHz, 7 kHz

### SYSTEM COMPONENTS:

- Cabinet: C4312C (Not For Sale)
- Grille: G4312 (61989)
- Low Frequency Transducer: 12 in. (300mm) Aquaplas Cone Transducer (2213H)
- DC Resistance: 5.0 ohm  $\pm 10\%$  Copper Wire
- Mid Range Transducer: 5 in. (130mm) Felted Paper Cone Transducer (104H-3)
- DC Resistance: 4.2 ohm  $\pm 10\%$  Copper Wire

\*1 Watt @ 1 Meter

### SYSTEM COMPONENTS: (cont'd)

- High Frequency Transducer: 1 in. (25mm) Pure Titanium Dome Transducer (035TiA)
- DC Resistance: 3.5-4.2 ohm Copper Wire
- Crossover Network: 3312D (66324-0060)

### AURAL SWEEP TEST SPECIFICATIONS:

- A. System Aural Sweep Test: 7.0V Input, 20 Hz to 20 kHz
- B. L.F. Aural Sweep Test: 7.0V Input, 20 Hz to 1.2 kHz
- C. M.F. Aural Sweep Test: 4.0V Input, 550 Hz to 1.2 kHz
- D. H.F. Aural Sweep Test: 2.0V Input, 2.0 kHz to 20 kHz

### PHYSICAL SPECIFICATIONS:

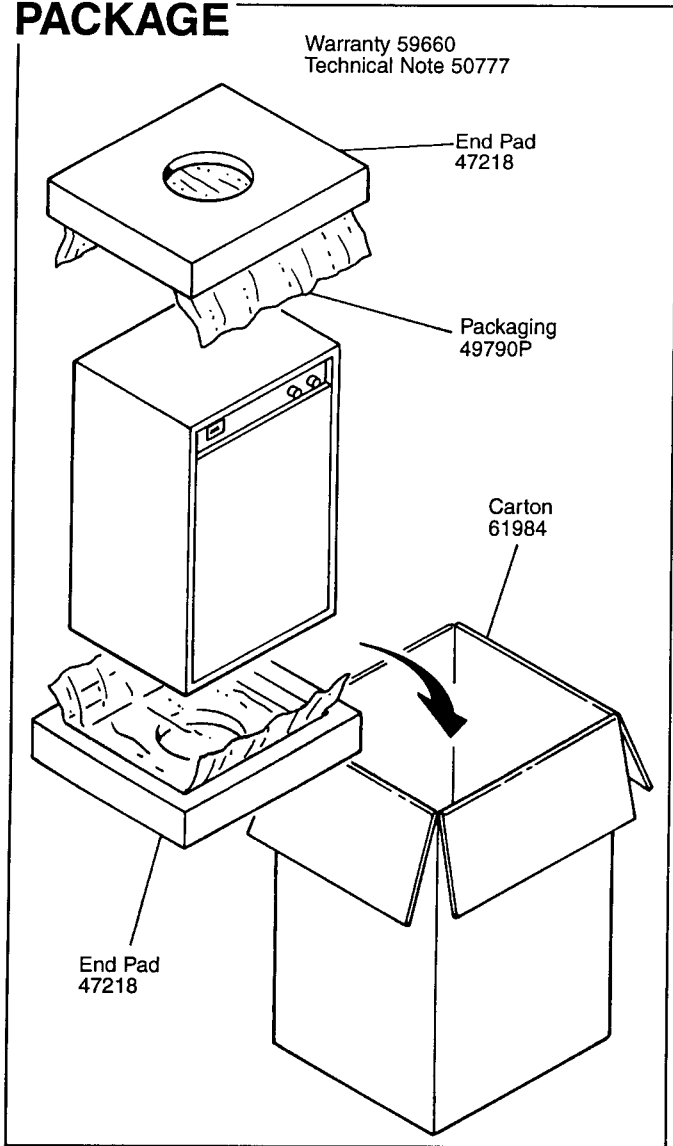
- Enclosure Dimensions: 23.5 x 14.25 x 11.75 in. D (597mm x 362mm x 298mm D)

**SHIPPING WEIGHT:** 52 lbs. (24 kg.)

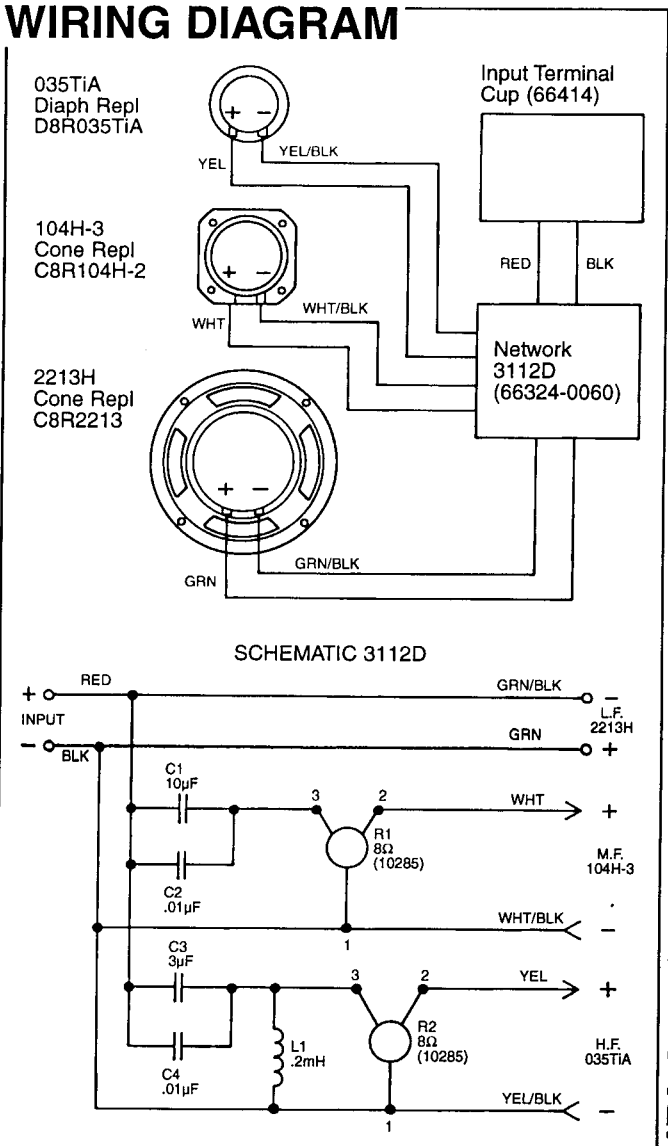
### WARRANTY INFORMATION:

- Refer to the Warranty Statement packed with each product.

## PACKAGE



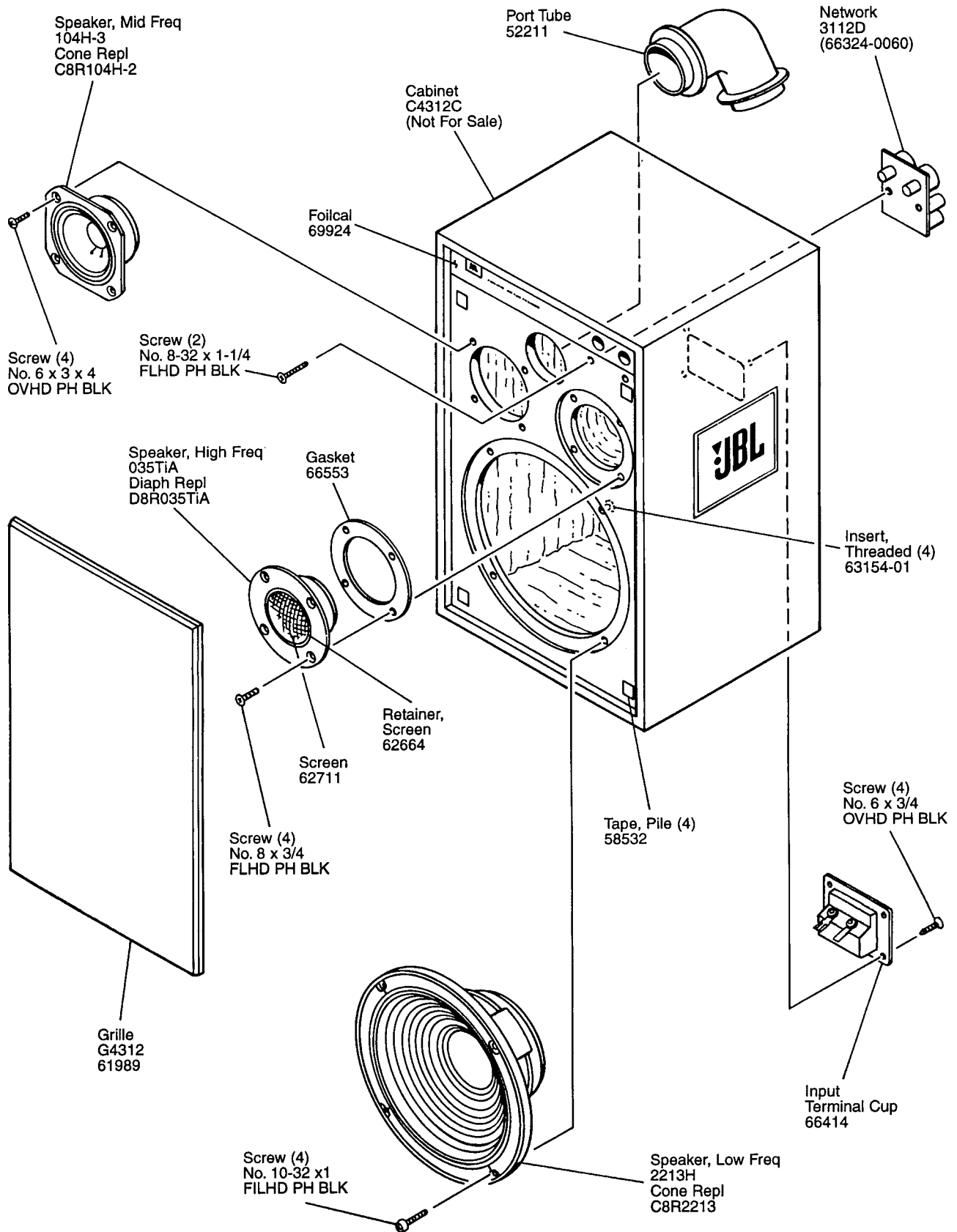
## WIRING DIAGRAM



JBL4312C

# JBL4312C

## COMPONENT EXPLODED VIEW



JBL4312C