

Technical Manual

JBL4312 L,R

SPECIFICATIONS



ACOUSTIC & ELECTRICAL SPECIFICATIONS:

- Nominal Impedance: 8 ohm
- Power Rating: Pink Noise: 100W
Continuous Program: 200W
- Frequency Response: 45 Hz to 15 kHz (± 3 dB)
- Sensitivity: 91 dB SPL*
- Crossover Frequencies: 1.5 kHz and 6kHz

SYSTEM COMPONENTS:

- Cabinet: C4312R, C4312L
- Grille: 61989
- Low Frequency Transducer: 300mm (12 in.) Paper Cone Transducer (2213H)

*1 Watt (2.83 V RMS) @ 1 Meter

SYSTEM COMPONENTS: (cont'd)

- Mid Frequency Transducer: 130mm (5 in.) Paper Cone Transducer (LE5-12)
- High Frequency Transducer: 36mm (1.4 in.) Paper Cone Transducer (LE25-2)
- Crossover Network: 3112C

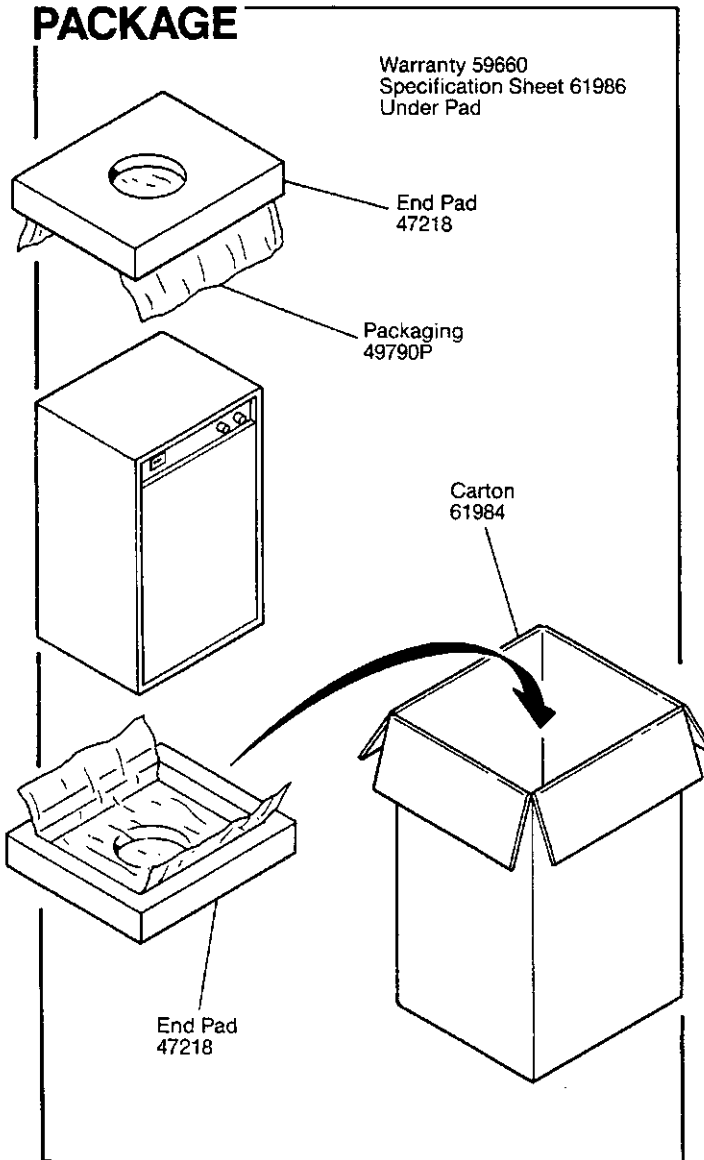
PHYSICAL SPECIFICATIONS:

- Enclosure Dimensions: 597mm x 362mm x 298mm D (23.5 x 14.25 x 11.75 in. D)
- Shipping Weight: 52 lbs. (24 kg)

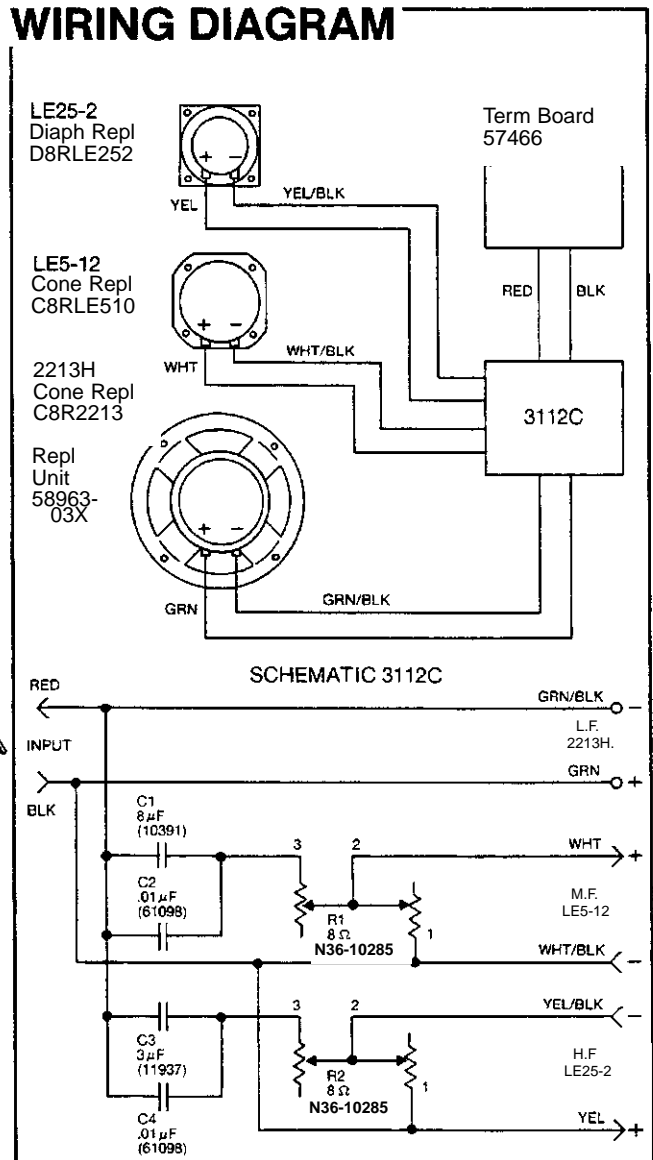
WARRANTY INFORMATION:

- Refer to the Warranty Statement packed with each product.

PACKAGE



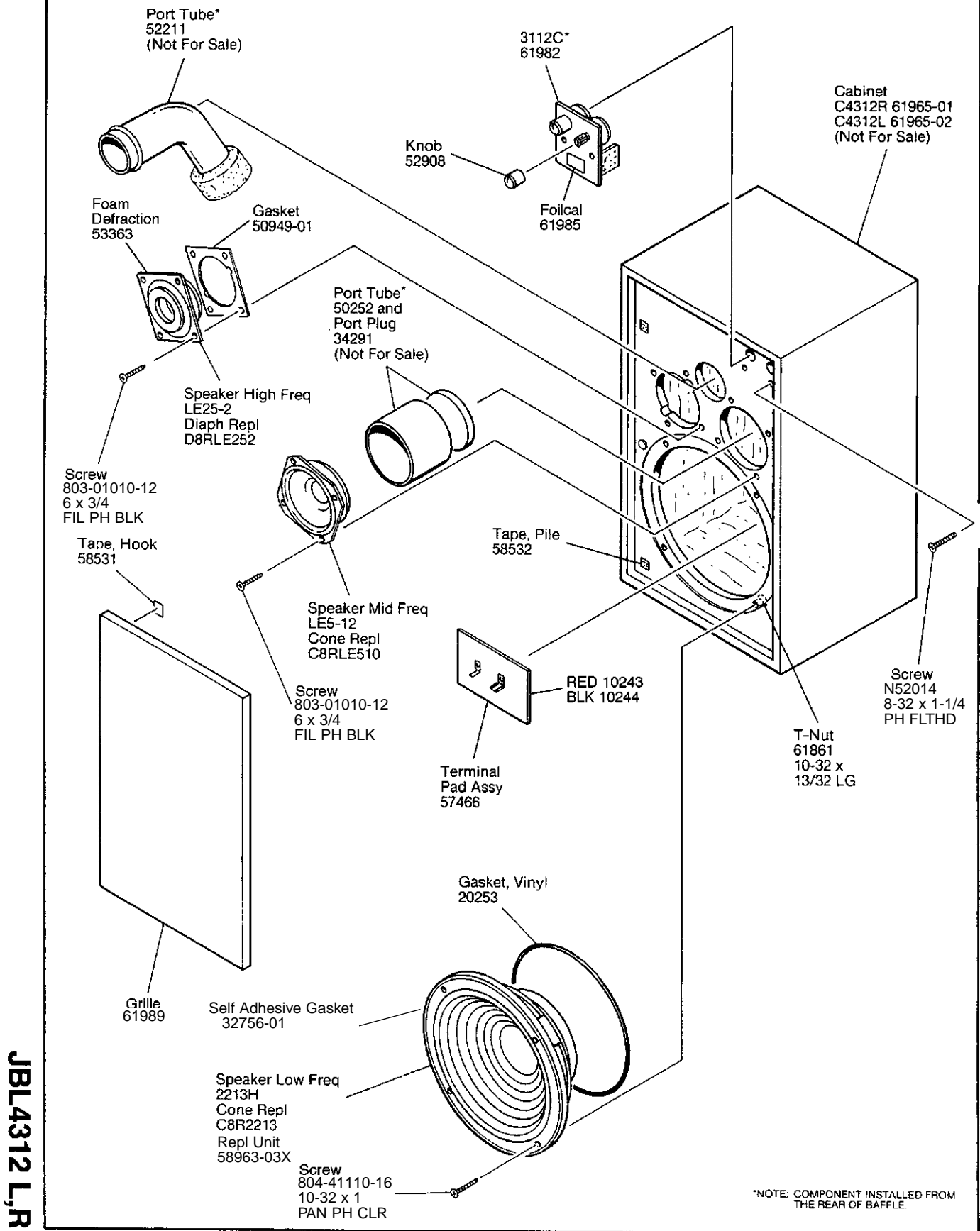
WIRING DIAGRAM



JBL4312 L,R REV G

JBL4312 L,R

COMPONENT EXPLODED VIEW



JBL4312 L,R