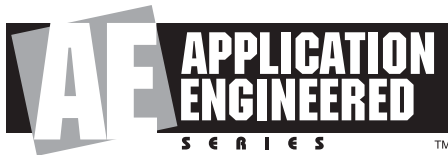




AL6125 High Power Dual 15" Low Frequency Loudspeaker



Key Features:

- ▶ 2 x 15" 2226H VGC™ Driver.
- ▶ Large vent area for high output with low distortion.
- ▶ Parallel/Discrete Switchable input mode.

Applications:

- ▶ Performing arts facilities
- ▶ Theatrical sound design
- ▶ Auditoriums
- ▶ Houses of worship
- ▶ Live clubs
- ▶ Dance-clubs/discotheques
- ▶ Sports facilities
- ▶ Themed entertainment venues

AL6125 is a high power, low frequency loudspeaker system comprised of two 380 mm (15 in) VGC Vented Gap Cooled low frequency drivers in a front-loaded, vented configuration. The rectangular cabinet is fitted with M10 threaded suspension points.

AL6125 is part of JBL's AE Application Engineered Series, a versatile family of loudspeakers for a wide variety of applications.



Specifications:

System:	
Frequency Range (-10 dB):	40 Hz - 2.5 kHz
Frequency Response (±3 dB):	42 Hz - 2.1 kHz
Input Modes:	Drivers Parallel / Drivers Discrete
Transducer Power Rating (AES):	2000 W (8000 W peak), 2 hrs
Long-Term System Power Rating ² :	1200 W (4800 W peak), 100 hrs
Maximum SPL ³ :	50 Hz - 125 Hz: 136 dB-SPL cont avg (142 dB peak) 125 Hz - 800 Hz: 135 dB-SPL cont avg (141 dB peak)
System Sensitivity (dB-SPL, 1W @ 1m) ⁴ :	50 Hz - 125 Hz: 103 dB 125 Hz - 800 Hz: 102 dB
Nominal Impedance:	4 ohms in parallel-drive mode 2 x 8 ohms in discrete drive mode
Transducers:	
Low Frequency Driver:	2 x JBL 2226H 380 mm (15 in) VGC™ drivers with 100 mm (4 in) voice coil
Physical:	
Enclosure:	Rectangular cabinet, 16 mm (5/8 in) exterior grade 11-ply Finnish birch plywood
Suspension Attachment:	12 points (3 top, 3 bottom, 2 each side, 2 rear), M10 threaded hardware
Finish:	Black DuraFlex™ finish. White available upon request.
Grille:	Powder coated 14 gauge perforated steel, with acoustically transparent black foam backing.
Input Connector:	NL4 Neutrik Speakon® and CE-compliant covered barrier strip terminals. Barrier terminals accept up to 5.2 sq mm (10 AWG) wire or max width 9 mm (.375 in) spade lugs. Speakon in parallel with barrier strip for loop-through.
Environmental Specifications:	Mil-Std 810; IP-x3 per IEC529.
Dimensions (H x W x D in vertical cabinet orientation):	967 x 422 x 504 mm (38.1 x 16.6 x 19.9 in)
Net Weight:	44.5 kg (98 lb)
Optional Accessories:	M10 x 35 mm forged shoulder eyebolts with washers.

¹AES standard, one decade pink noise with 6 dB crest factor within device's operational band, free air. Standard AES 2 hr rating plus long-term 100 hr rating are specified for low-frequency transducers.

²AES standard, one decade pink noise with 6 dB crest factor, in cabinet, long-term 100 hr rating.

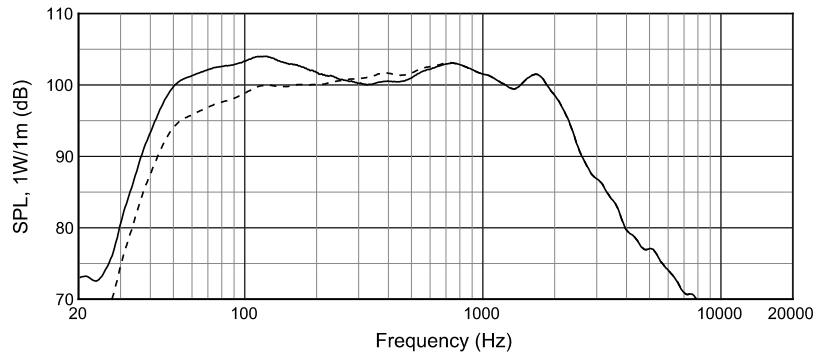
³Calculated based on power rating and sensitivity, exclusive of power compression.

⁴Half-space (2π) loading, averaged in specified frequency band.

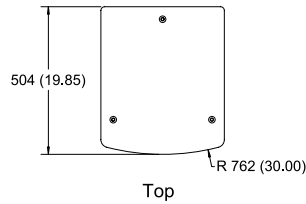
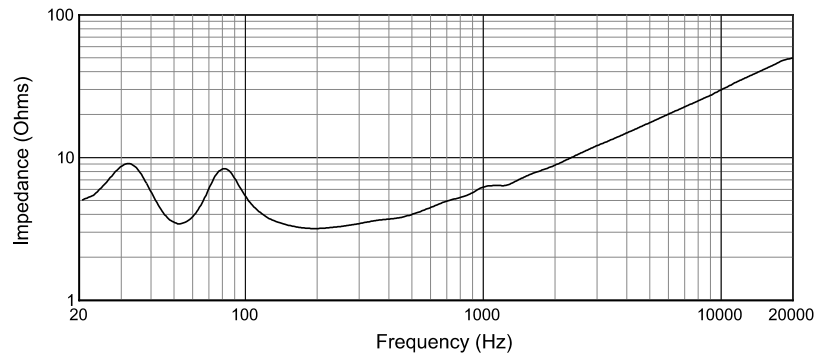
JBL continually engages in research related to product improvement. Changes introduced into existing products without notice are an expression of that philosophy.

▶ AL6125 High Power Dual 15" Low Frequency Loudspeaker

Frequency response is measured on-axis at a distance referenced to 1 m @ 1 watt (2.0 Vrms) input, shown as half-space (2π , solid line) and full-space (4π , dotted line) environment.

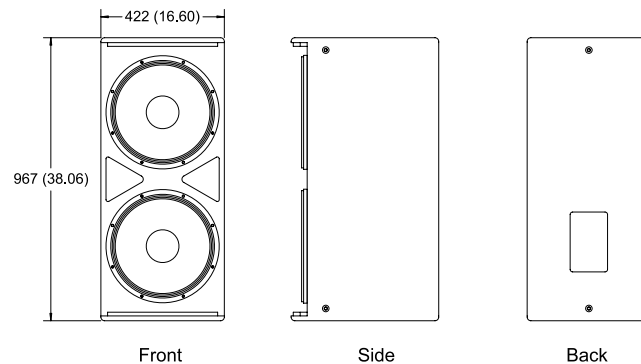


Electrical Input Impedance (parallel mode)



Dimensions in mm (in)

For more detailed dimensional information, refer to Application Data Sheet



JBL Professional
8500 Balboa Boulevard, P.O. Box 2200
Northridge, California 91329 U.S.A.

A Harman International Company
© Copyright 2002 JBL Professional

SS AL6125
CRP 10M
3/04 ATR