

Technical Manual

JBL CONTROL 5/WH

SPECIFICATIONS



ACOUSTIC & ELECTRICAL SPECIFICATIONS:

- Nominal Impedance: 4 ohm
- Power Capacity: 175W Pink Noise
- Frequency Response: 75 Hz to 20 kHz (± 3 dB)
- Sensitivity: 89 dB SPL, 1W, 1 m (3.3 ft)
- Crossover Frequencies: 3 kHz

SYSTEM COMPONENTS:

- Cabinet: C5001
- Grille: C5004WH
- Low Frequency Transducer: 165mm (6.5 in.) Cone Transducer (C5003P)
- DC Resistance: 3.4 ohm $\pm 5\%$ Copper Wire

SYSTEM COMPONENTS: (cont'd)

- High Frequency Transducer: 25mm (1.0 in.) Pure Titanium Dome Transducer (C5002)
- DC Resistance: 6.4 ohm $\pm 5\%$ Copper Wire
- Crossover Network: Passive Crossover, C5006

AURAL SWEEP TEST SPECIFICATIONS:

- A. System Aural Sweep Test: 7.0V Input, 20 Hz to 20 kHz
- B. L.F. Aural Sweep Test: 6.0V Input, 20 Hz to 1.2 kHz
- C. H.F. Aural Sweep Test: 2.0V Input, 2 kHz to 20 kHz

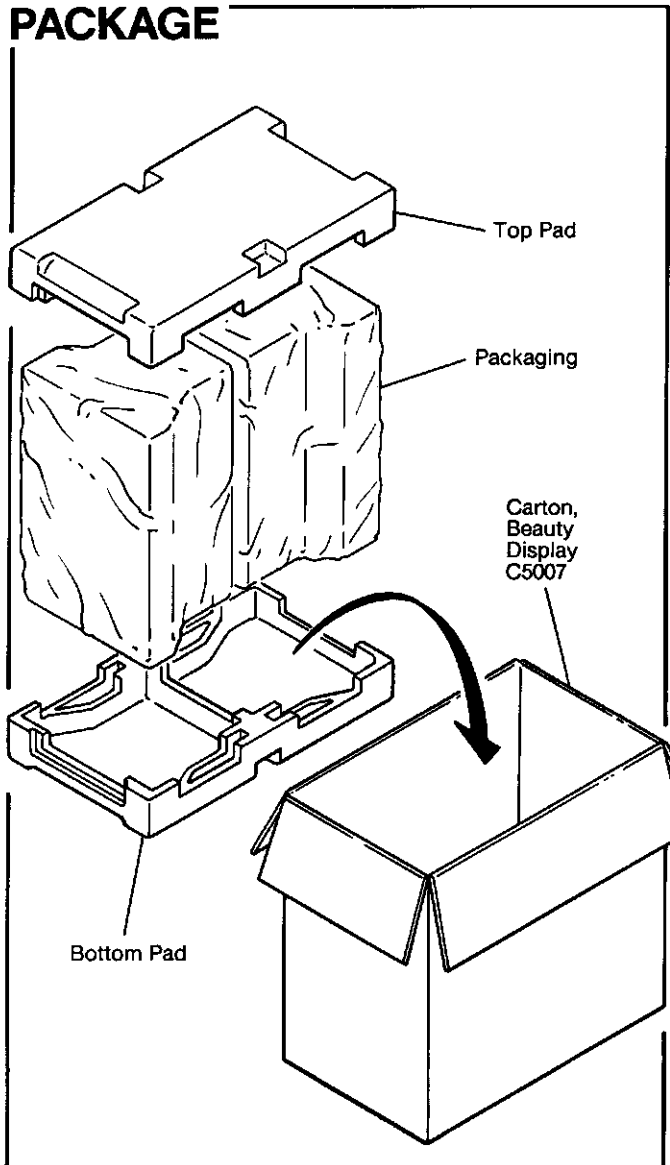
PHYSICAL SPECIFICATIONS:

- Enclosure Dimensions: 387mm x 251mm x 229mm D (15.25 x 9.87 x 9.0 in. D)
- Shipping Weight: 24 lbs. Each (11 kg)

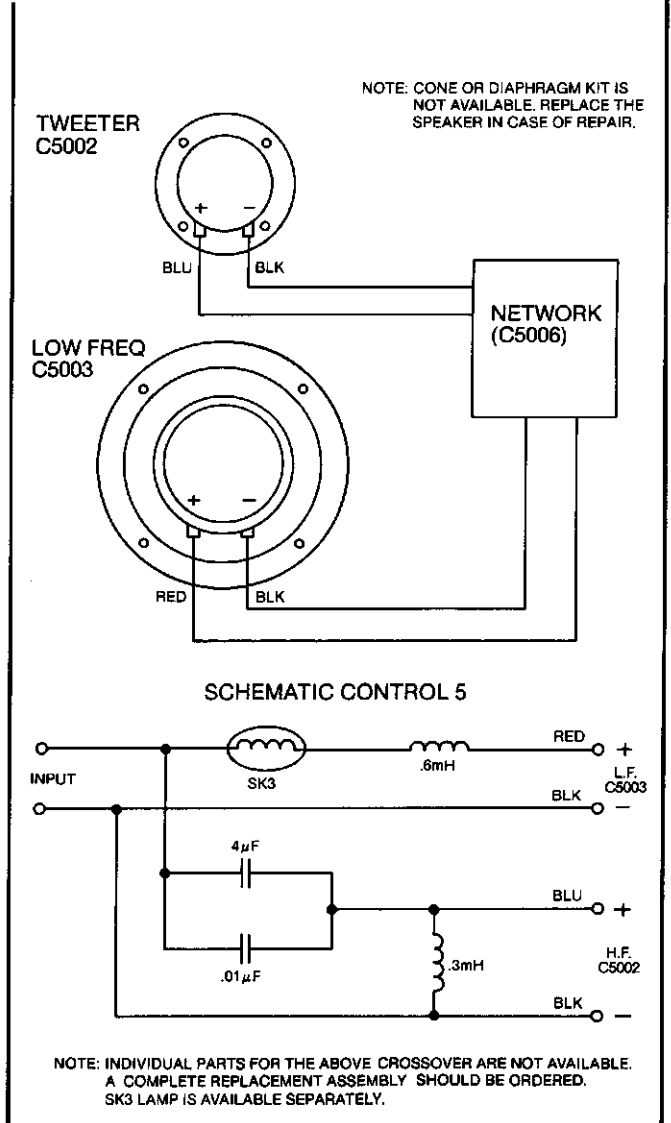
WARRANTY INFORMATION:

- Refer to the Warranty Statement packed with each product.

PACKAGE



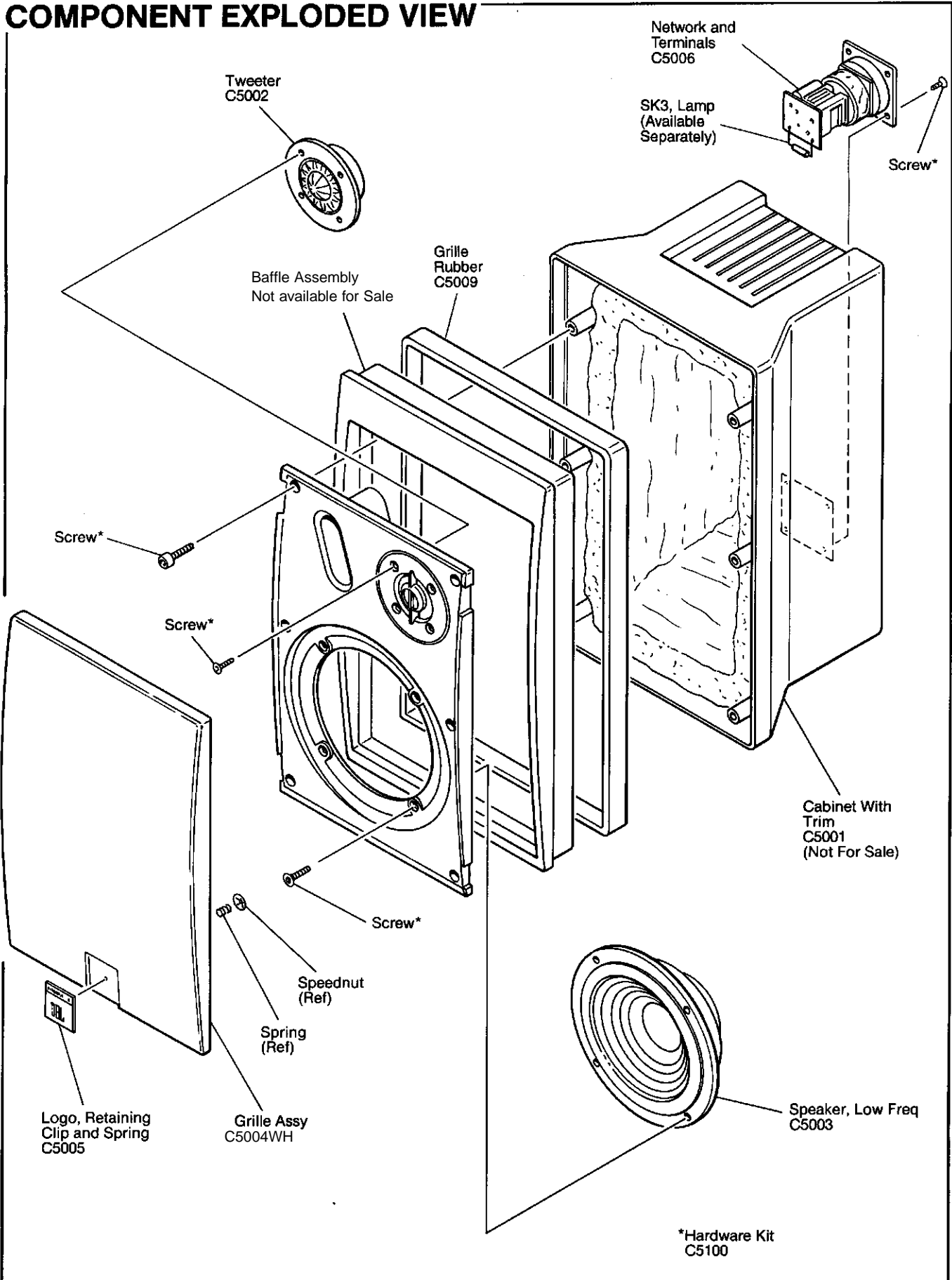
WIRING DIAGRAM



JBL CONTROL 5/WH REV F

JBL CONTROL 5/WH

COMPONENT EXPLODED VIEW



JBL CONTROL 5/WH