

Parts List

EON Power15, EON15P-1/230

Reference	JBL Part #	Description
	382 00013 02	Bezel
	382 00358 01	Bezel (P-1)
	923 00025 01	Handle, 15" EON
	950 00004 01	Logo, Grille
	128 00400 00	Grille Assembly
	321167-001	Sealing Extrusion (Gasket)
	321134-001	Xfmr, AC, 120V
	321134-002	Xfmr, AC, 220/230V
	562 00012 00	Xfmr, AC, 100V
	337974 001	Xfmr, AC, 120/220V (P-1/230)
	320733-001	Owner's Manual, EON Series
	337976 001	Owner's Manual (P-1/230)
	321101-001	AC Power Cord, Edison
	425 00000 01	AC Power Cord, Schuko
	705 90000 16	Thumbscrew for Pole Mount
	337083-003	Label 110V (P-1)
	337083-004	Label 220V (P-1/230)
	M50S	EON MIC
	323672-001	EON Mic & Holder
	517-00009-00	Capsule
	60001H0632	Clip
	548-00013-00	Switch Assy
	1400M2104-J	Top Cover
	517-00000-00	Wind Screen Assy Black Ring
	330-90001-02	Rear Enclosure
	991-00051-00	Bottom Filler, 991-00051-00 Top Filler, 990-000022-00 Carton
	513 00001 80	AC Input PCB Power15/Sub, Complete Assembly Use 321398-001 & 453-13402-00
	250-00001-01	AC Input PCB EON15P-1/230 *(see Drawing for BOM)
C301 C302	613 55102 60	CAP CERAMIC, 250VAC, 1000pF, 20%, RADIAL
C303	613 55103 70	CAP CERAMIC, 250VAC, .01uF, +80/-20%, RADIAL
J101	424 00008 00	CONN, IEC MALE & FEMALE, HORIZ, PCB
S101	546 00000 00	SW, PWR, ROCKER, DPST, 10A, 250VAC, HORIZ, PCB
	452 00000 00	FUSE CLIP, 5mm, PCB
F301	453 13402 00	FUSE, 4A Time Lag (120V Version only)
F301	453 13202 00	FUSE, 2A Time Lag (220/230V Versions only)
F301	453 13502 00	FUSE, 5A Time Lag (100V Version only)
	513 00006 80	Signal Input PCB Power15, Complete Assembly
	337975-001	Signal Input PCB EON15P-1/230, Complete Assembly
	722 41100 05	Screw, 6-20 x 5/16 Type-B, Ph Zinc, LCS Hard
	729 41610 06	Screw, Plastite, 3-24 x 3/8, Pan, Ph, BLK-CR, LCS
C201	600 02227 60	CAP, ELEC, 85C, 16V, 220uF, 20%, RADIAL
C202 C203	600 02476 60	CAP, ELEC, 85C, 16V, 47uF, 20%, RADIAL
C204 C205	600 05105 60	CAP, ELEC, 85C, 50V, 1.0uF, 20%, RADIAL
C206	606 05332 50	CAP, FILM, 50V, .0033uF, 5%, RADIAL
C207 C208 C210	613 08221 50	CAP, CERAMIC, 100V, 220pF, 5%, NPO, RADIAL
C209	613 29301 51	CAP, CERAMIC, 500V, 300pF, 5%, Y5E, RADIAL
C213 C214	606 05102 50	CAP, FILM, 50V, .0010uF, 5%, RADIAL
C211 C212	613 08103 00	CAP, CERAMIC, 100V, .010uF, 10%, Y5P, RADIAL
D204 D205 D206 D207	675 00000 00	SEMI, DIODE, SIG, 75V, 200mA, 1N4148, DO-35
D202 D203	678 00000 00	SEMI, DIODE, LED, RED, DIFF, RND, 3MM, HORIZ
D201	678 00001 00	SEMI, DIODE, LED, GREEN, DIFF, RND, 3MM, HORIZ
J201	424 00003 00	CONN, XLR-M, HORIZ, PCB
J202	424 00002 00	CONN, XLR-F, HORIZ, PCB
	256 00000 00	Cable Assy, EON, 7-Pin, Signal-Main
J204	424-00028 00	CONN, SHROUDED HEADER, VERT 7-Pin, .100", PCB
P201	659 00006 00	RES, POT, 12mm, HORIZ EIAJ, 5K15A, 5K15C
R201	631 21001 10	RES, MF, 1/8W, 1.00K, 1%
R202	630 41501 50	RES, CF, 1/2W, 1.5K, 5%



EON Power15, EON15P-1/230 (cont'd)

Reference	JBL Part #	Description
R203 R205 R221	631 25111 10	RES. MF, 1/8W 5.11K, 1%
R204	631 23926 10	RES. MF, 1/8W 3.92, 1%
R206	630 43901 50	RES. MF, 1/2W 3.9K, 5%
R207 R211 R212	630 21003 50	RES, CF, 1/8W, 100K, 5%
R208 R224 R225	631 21502 10	RES .MF, 1/8W 15.0K, 1%
R209	631 26981 10	RES. MF, 1/8W 6.98K, 1%
R210	631 21100 10	RES. MF, 1/8W 110, 1%
R213 R214	631 22372 10	RES. MF, 1/8W 23.7K, 1%
R215 R216 R217	631 24640 10	RES. MF, 1/8W 464, 1%
R219 R220 R222 R223	631 24991 10	RES. MF, 1/8W 4.99K, 1%
R226 R227	631 21210 10	RES. MF, 1/8W 121, 1%
VR201	660 00004 00	RES, 6mm TRIM,CARBON, HORIZ, 1/10W. 10K
S201	548 00000 00	SW, PUSH, 2.8mm SHAFT, 4P2T, HORIZ, PCB
U202	684 00003 00	SEMI, IC-ANA, NJM4560D, DUAL OP-AMP, DIP-8
U201	684 00006 00	SEMI, IC-ANA, NJM2901N, QUAD COMP, DIP-14
L201	471 00000 00	Inductor, RF, Ferrite, Axial
	923 00007 00	Button, 7mm Round,2.8mm Shaft, Gray (EON Speaker)
	923 00002 00	Knob, 11mm, Gray, 6mm D-Shaft (EON Speaker)
	923 00008 00	Cap-Knob, 11mm, Gray, White Line (EON Speaker)
	513 00007 80	Amplifier PCB, Power15, Complete Assembly
	472 00000 00	INSULATOR, MICA, TO3-P
	472 00001 00	INSULATOR, THERMALSIL, MULTIWATT CASE
	840 90000 03	Washer, #4, Shoulder, Black, Nylon, .031 Tall
	701 90001 06	Screw, 4-40 x 3/8 W/Sq-cone washer, Pan, Ph, Zinc
	701 90002 08	Screw, 4-40 x 1/2 W/Sq-cone washer, Pan, Ph, Zinc
BR1	676 00020 00	SEMI, DIODE, BRIDGE, 200V, 10A KBPC1002P
C1 C2	604 05568 60	CAP, ELEC, LARGE, 85C, 50V, 5600uF, 20%, PCB
C3 C5 C7 C10	600 06227 60	CAP, ELEC, 85C, 63V, 220uF, 20%, RADIAL
C4 C20	610 20104 00	CAP, MPROP, 250V, .1uF, 10%, HI-RIPPLE, RADIAL
C8 C14 C15	613 29271 51	CAP, CERAMIC, 500V, 270pF, 5%, Y5E, RADIAL
C6 C9 C16 C17 C19 C22 C101	607 20104 50	CAP, MFILM, 250V, .1uF, 5%, RADIAL
C11	613 29220 50	CAP, CERAMIC, 500V, 22pF, 5%,NPO, RADIAL
C13	600 00107 60	CAP, ELEC, 85C, 6.3V, 100uF, 20%,RADIAL
C12 C29 C30 C34 C35 C36 C37	608 05104 50	CAP, SMFILM, 50V, .10uF, 5%, RADIAL
C18 C23 C27 C31	600 02476 60	CAP, ELEC, 85C, 16V, 47uF, 20%, RADIAL
C21 C48	600 05106 60	CAP, ELEC, 85C, 50V, 10uF, 20%, RADIAL
C24	613 08221 50	CAP, CERAMIC, 100V, 220pF, 5%,NPO, RADIAL
C26	600 05105 60	CAP, ELEC, 85C, 50V, 1.0uF, 20%, RADIAL
C28 C44	608 05473 50	CAP, SMFILM, 50V .047uF, 5%, RADIAL
C25 C32 C38 C39 C40	600 04106 60	CAP, ELEC, 85C, 35V, 10uF, 20%, RADIAL
C33	606 05332 50	CAP, FLIM, 50V, .0033uF, 5%, RADIAL
C42	606 05102 50	CAP, FILM, 50V, .0010uF, 5%, RADIAL
C45 C46 C47	060 05472 50	CAP, FILM, 50V, .0047uF, 5%, RADIAL
C41 C43	608 05153 50	CAP, SMFILM, 50V .015uF, 5%, RADIAL
C49 C50	613 08103 00	CAP, CERAMIC, 100V, .010uF, 10%, Y5P, RADIAL
D1 D2 D3 D4 D5 D8	676 00003 00	SEMI, DIODE, SIG, RECT, 400V, 1A, 1N4004, DO-41
D6 D7	675 00001 00	SEMI, DIODE, SIG 250V, 200mA, 1SS142, DO-35
D9 D10 D11 D12 D13 D14 D15 D16 D17	675 00000 00	SEMI, DIODE, SIG, 75V, 200mA, 1N4148, DO-35
Z1 Z3 Z4	677 00060 00	SEMI, DIODE, ZENER, 16V, 1W, 1N4745A, DO-41
Z2	677 00031 00	SEMI, DIODE, ZENER, 24V, 500mW, 1N5252B, DO-35
J1	424 00065 00	CONN, MINI-FIT JR, HEADER, 1x3,PCB
J3	424 00028 00	CONN, SHROUDED HEADER, VERT, 7-PIN, .100",PCB
J2	424 00023 00	CONN, SHROUDED HEADER, VERT, 2-PIN, .100",PCB
Q1	682 00011 00	SEMI, TRANSISTOR, NPN, PWR, 2SC3281, TO-3P(L)
Q2 Q5 Q18	682 00006 00	SEMI, TRANSISTOR, NPN, PWR, 2SD1763A, TO-220FP
Q3 Q4 Q6 Q7 Q15	680 00007 00	SEMI, X-ISTOR, PNP, SIG 2SA1370,SC-51

EON Power15, EON15P-1/230 (cont'd)

Reference	JBL Part #	Description
Q10 Q11 Q14 Q16 Q17	680 00010 00	SEMI, X-ISTOR, NPN, SIG 2SC2362K, TO-92
Q8 Q9	680 00008 00	SEMI, X-ISTOR, NPN, SIG, 2SC3467, SC-51
Q12 Q19	682 00007 00	SEMI, TRANSISTOR, PNP, PWR, 2SB1186A, TO-220FP
Q13	682 00010 00	SEMI, TRANSISTOR, PNP, PWR, 2SA1302, TO-3P(L)
R1 R27	632 71008 50	RES, MOF, 3W, 0.10, 5%
R2 R28	632 71006 50	RES, MOF, 3W, 10, 5%
R3 R24	633 32207 50	RES, FUSE, 1/4W, 2.2, 5%
R4 R6	630 23301 50	RES, CF, 1/8W 3.3K, 5%
R5 R9 R21 R29	631 22430 10	RES, MF, 1/8W, 243, 1%
R7 R17	630 21100 50	RES, CF, 1/8w, 110, 5%
R8 R10 R20 R25	630 23302 50	RES, CF, 1/8W 33K, 5%
R11	631 21541 10	RES, MF, 1/8W, 1.54K, 1%
R12 R22 R49	631 24752 10	RES, MF, 1/8W, 47.5K, 1%
R13	631 24640 10	RES, MF, 1/8W, 464, 1%
R14	631 21821 10	RES, MF, 1/8W, 1.82K, 1%
R15	630 23000 50	RES, CF, 1/8W, 300, 5%
R16 R19 R44	630 22202 50	RES, CF, 1/8W, 22K, 5%
R18	630 41000 50	RES, CF, 1/2W, 100, 5%
R23 R26 R58 R71	630 24706 50	RES, CF, 1/8W, 47, 5%
R30 R52 R65	630 42701 50	RES, CF, 1/2W, 2.7K, 5%
R31	630 26200 50	RES, CF, 1/8W, 620, 5%
R32 R42 R43 R46 R47	631 21002 10	RES, MF, 1/8W, 10.0K, 1%
R33 R34	630 41002 50	RES, CF, 1/2W, 10K, 5%
R35 R36	630 21003 50	RES, CF, 1/8W, 100K, 5%
R37 R39 R40 R50	631 21001 10	RES, MF, 1/8W, 1.00K, 1%
R38 R51	631 22002 10	RES, MF, 1/8W, 20.0K, 1%
R41	631 22322 10	RES, MF, 1/8W, 23.2K, 1%
R45	630 31201 50	RES, CF, 1/4W, 1.2K, 5%
R53 R55	631 29091 10	RES, MF, 1/8W, 9.09K, 1%
R54	631 28451 10	RES, MF, 1/8W, 8.45K, 1%
R56	631 21023 10	RES, MF, 1/8W, 102K, 1%
R57	631 22262 10	RES, MF, 1/8W, 22.6K, 1%
R59	631 22103 10	RES, MF, 1/8W, 210K, 1%
R60	631 24421 10	RES, MF, 1/8W, 4.42K, 1%
R61	631 27320 10	RES, MF, 1/8W, 732, 1%
R62 R68	631 23011 10	RES, MF, 1/8W, 3.01K, 1%
R63	631 23481 10	RES, MF, 1/8W, 3.48K, 1%
R64	631 24751 10	RES, MF, 1/8W, 4.75K, 1%
R66	631 21241 10	RES, MF, 1/8W, 1.24K, 1%
R67	631 21210 10	RES, MF, 1/8W, 121, 1%
R69	631 21270 10	RES, MF, 1/8W, 127, 1%
R70	631 21103 10	RES, MF, 1/8W, 110K, 1%
VR1	660 00013 00	RES, 5mm, TRIM, CERMET, VERT, 1/2W, 500
TS1	548 00006 00	SW, THERM, CLOSE AT 80C, 67F080, TO-220/2
U1	684 00014 00	SEMI, IC-ANA, LM3876T, 100W, AUDIO AMP, TA11B
U2 U3 U4	684 00003 00	SEMI, IC-ANA, NJM4560D, DUAL OP-AMP, DIP-8
DS1	678 00007 00	SEMI, DIODE, LED, GREEN, DIFF, RND, 3mm, VERT
	819 90012 05	SPACER, 3mm, LED, .310, VERT
P2	424 00037 00	CONN, SPRING-BOX, 2-PIN, .100", IDC
	321814 001	CHRISTMAS TREE CLIP (P-1/230)

EON 15PAK Input Module (cont'd)

Reference	JBL Part #	Description
R27 R28 R29 R30	651 34706 10	RES, MF, 1/4W, 47 15, SM, 1206
R65	651 34871 10	RES, MF, 1/4W, 4.87K, 1%, SM 1206
R3 R4 R5 R6 R7 R8 R37 R56 R57 F63 R66	651 35101 10	RES, MF, 1/4W, 5.1K, 15, SM, 1206
R67 R71 R72 R73		
R1 R2 R22 R33 R34	651 35600 10	RES, MF, 1/4W, 560, 15, 1206
R64	651 35901 10	RES, MF, 1/4W, 5.90K, 1%, SM, 1206
R74	651 36201 10	RES, MF, 1/42, 6.2K, 15, SM, 1206
R41 R46	651 36803 10	RES, MF, 1/4W, 680K, 15, SM 1206
R42	651 53601 00	RES, MF, 1W, 55, SM 2512
R47 R49 R50	659 00013 00	RES, ROT, 9mm, HORIZ, EIAJ, 5K15A
R48	659 00014 00	RES, ROT, 9mm, HORIZ, EIAJ, 5K15A, 5K15C
R58 R59 R60 R61	659 00015 00	RES, ROT, 9mm, HORIZ, C-DETENT, EIAJ, 20K1B
R51	660 00004 00	RES, 6mm, TRIM, CARBON, HORIZ, 1/10W, 10K
D6 D7	678 00000 00	SEMI, DIODE, LED, RED, DIFF, RND, 3mm, HORIZ
D5	678 00001 00	SEMI, DIODE, LED, GREEN, DIFF, RND, 3mm, HORIZ
D1 D2 D3 D4	688 00000 00	SEMI, DIODE, SIG, 75V, 200mA, DL4148, DL-35
U1 U2 U4 U7 U8	697 00002 00	SEMI, IC-ANA, NJM2068M, LOW NOSIE DUAL, SO-8
U3 U5	697 00005 00	SEMI, IC-ANA, NJM4560M, DUAL OP-AMP, SO-8
U6	697 00007 00	SEMI, IC-ANA, NJM2901M, QUAD COMP, SO-14
	809 90002 00	Nut, Mini, Whitworth THD, Black, Steel
	412 00016 00	Bracket, EON, Key-in
	480 00022 00	Label, Poly-Carb, EON, Key-in
	729 41610 06	Screw, Plastite, 3-24 x 3/8., Pan, PH, BLK-CR, LCS
	923-00010-00	Knob, 11mm, 6mm, D-Shaft, Black w/White Marker
	500 00019 00	Schematic, EON, Key-in

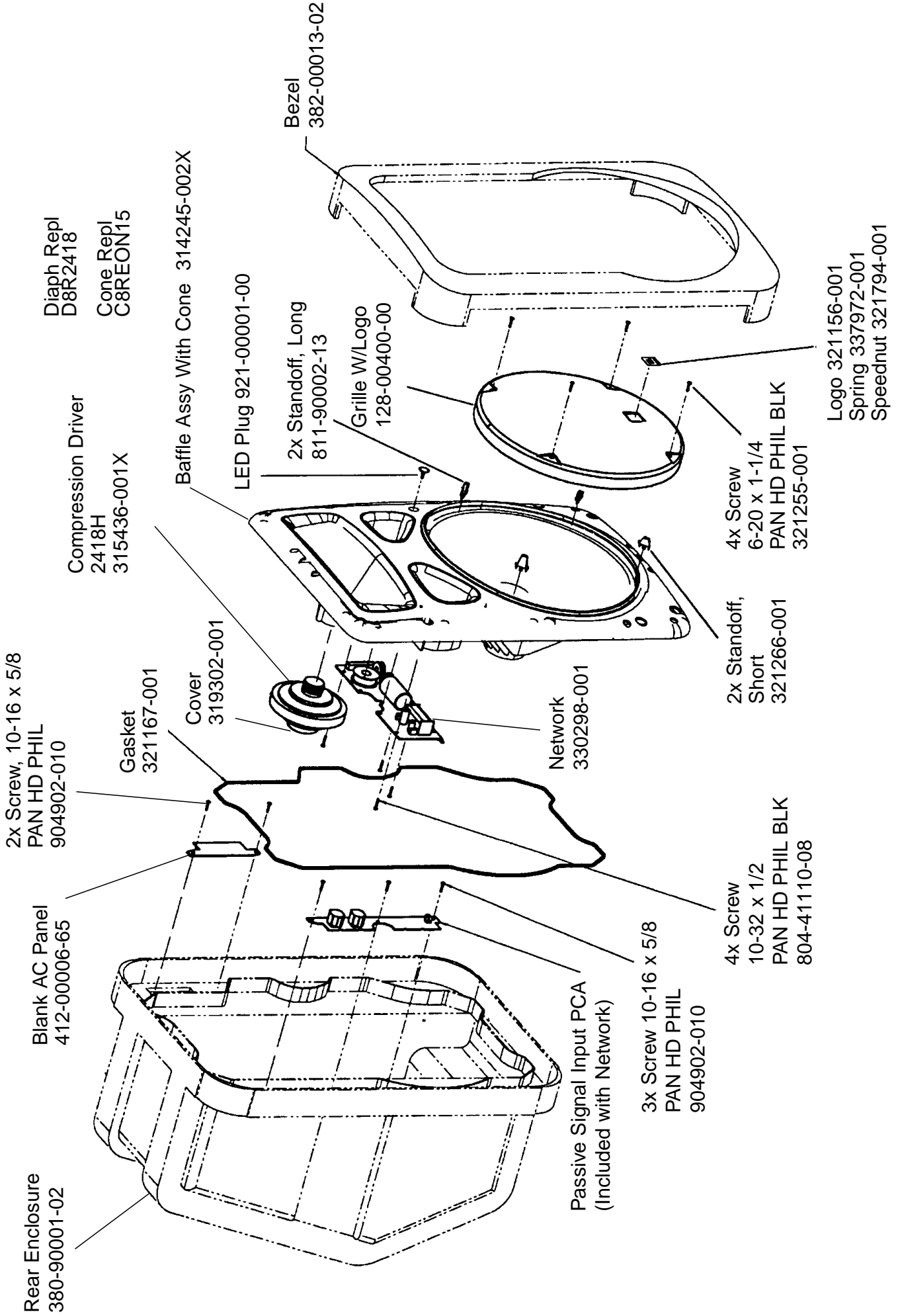
EON15

Reference	JBL Part #	Description
	382 00013 02	Bezel
	923 00001 02	Handle, 15" EON
	950 00004-01	Logo, Grille
	128 00400 00	Grille Assembly (Includes Logo)
	321167-001	Sealing Extrusion (Gasket)
	330298-001	Crossover Network w/Signal Input Assy
	320733-001	Owner's Manual, EON Series
	705 90000 16	Thumbscrew for Pole Mount
	330-90001-02	Rear Enclosure
	314245-002X	Baffle Assy with cone

EON PowerSub

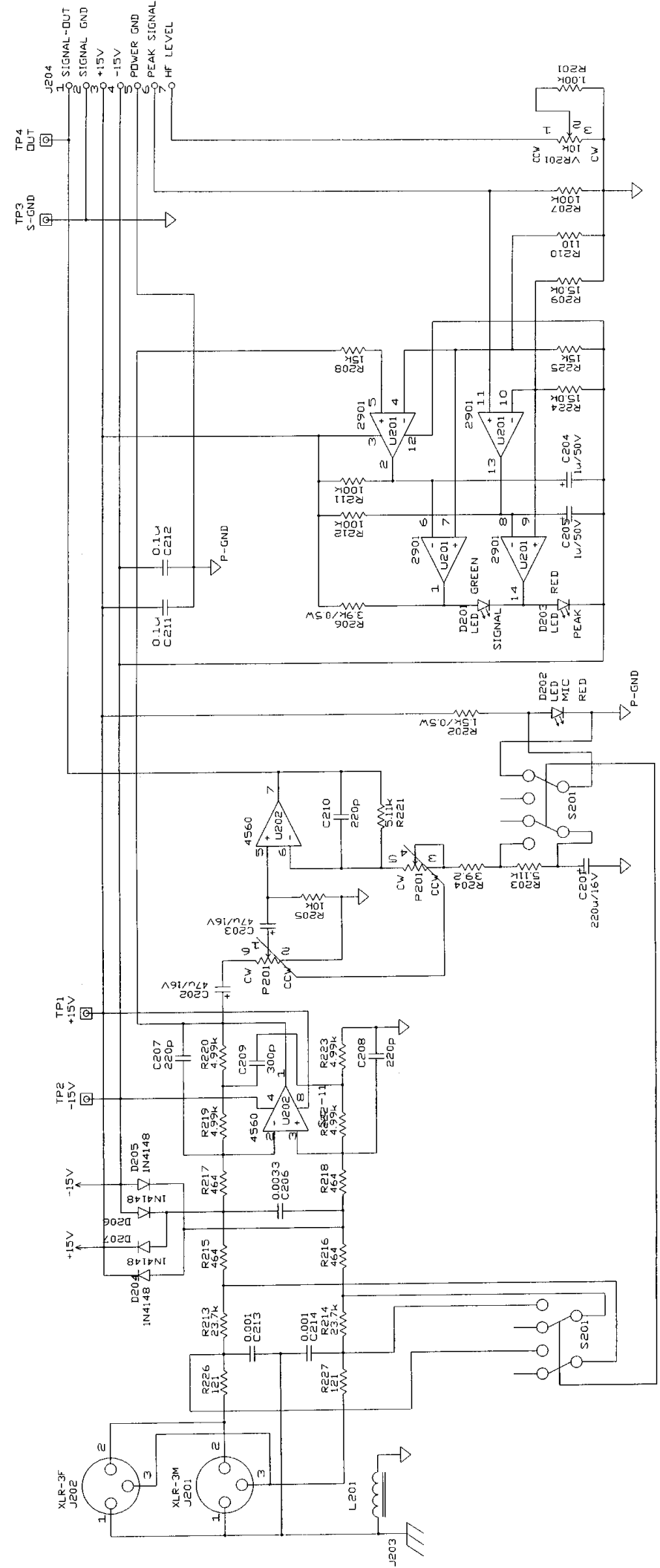
Reference	JBL Part #	Description
	382 00013 02	Bezel
	923 00001 02	Handle, 15" EON
	950 00004 01	Logo, Grille
	128 00400 00	Grille Assembly (Includes Logo)
	321167-001	Sealing Extrusion (Gasket)
	562 00007 00	Xmfr, AC, 120V
	562 00010 00	Xfmr, AC, 220/230V
	562 00013 00	Xfmr, AC, 100V
	320733-001	Owner's Manual, EON Series
	321101-001	AC Power Cord, Edison
	425 00000 01	AC Power Cord, Schuko
	705 90000 16	Thumbscrew for Pole Mount

Mechanical Assembly EON15



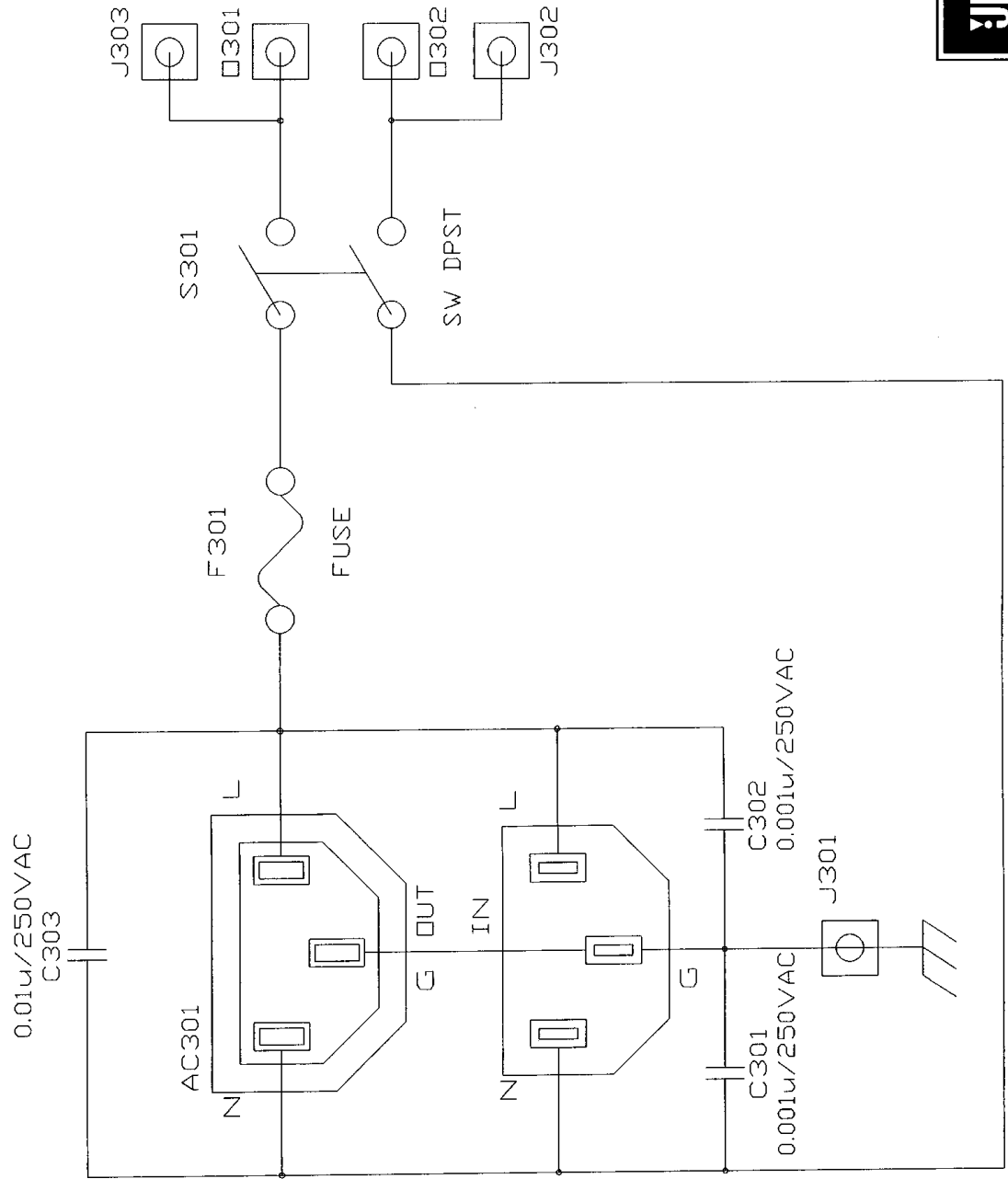
Schematic Signal Input Assembly EON Power15

These Drawings and Specifications are the Property of JBL Professional Inc. They are issued in Strict Confidence and Shall Not Be Reproduced, Copied, or Used as the Basis for Manufacturing or Sale of Apparatus Without Written Permission.



Schematic AC Input Assembly EON Power15

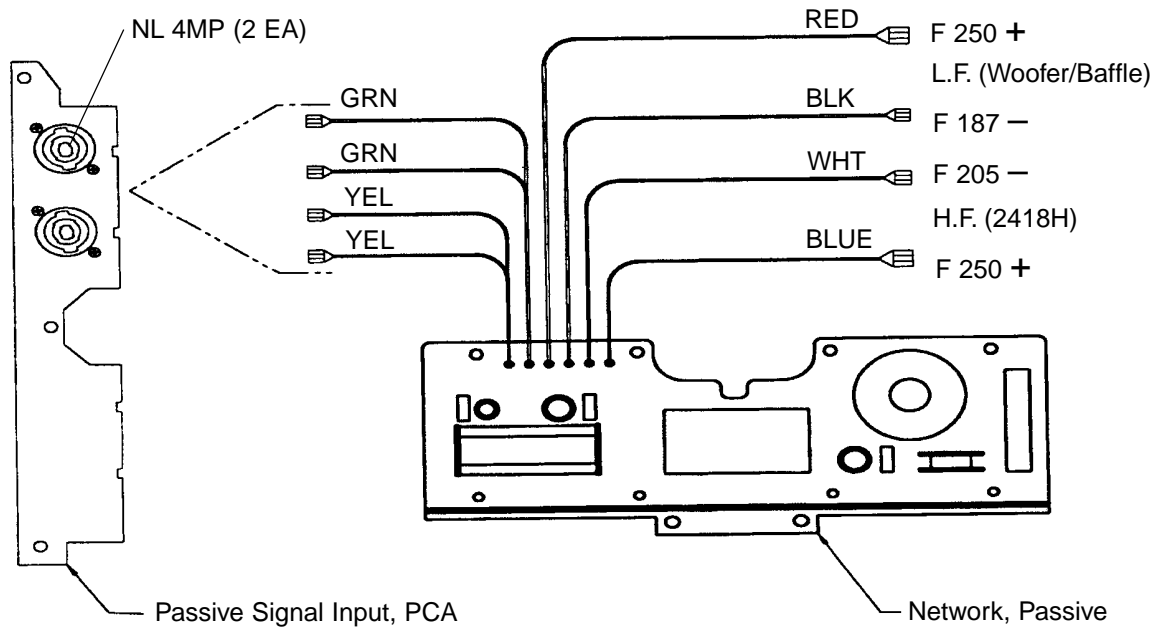
These Drawings and Specifications are the Property of JBL Professional Inc. They are issued in Strict Confidence and Shall Not Be Reproduced, Copied, or Used as the Basis for Manufacturing or Sale of Apparatus Without Written Permission.



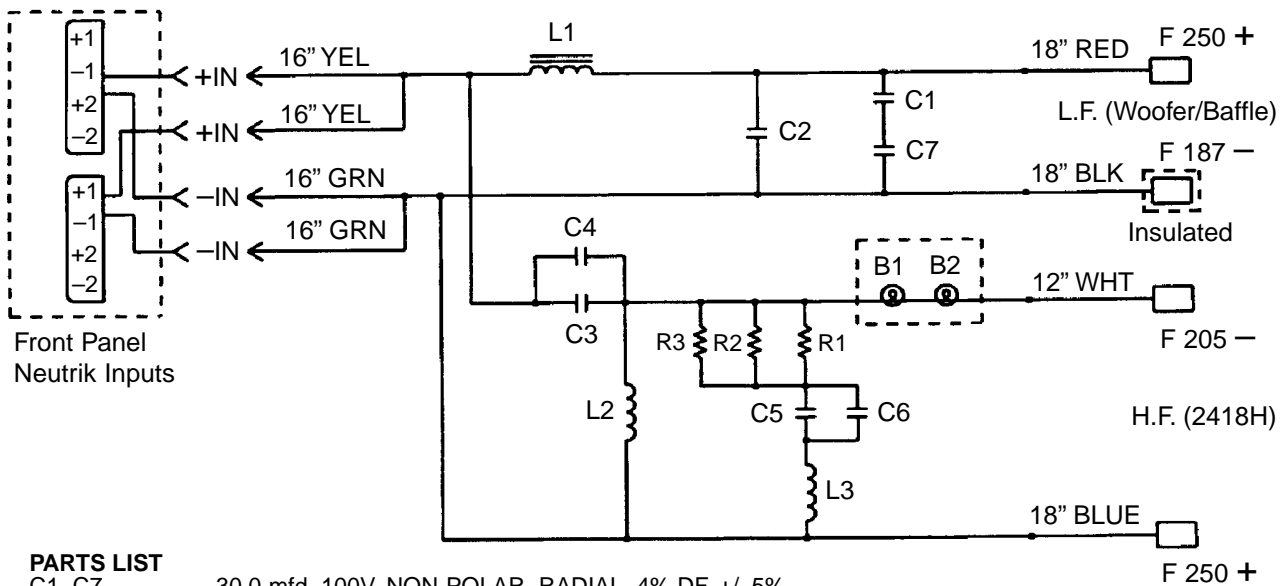
JBL Professional
A Harman International Company
Northridge, California 91329, USA

SCHEMATIC, AC INPUT
500-00001 REV A

Wiring Diagram EON15



Network Schematic EON15



PARTS LIST

C1, C7	30.0 mfd, 100V, NON-POLAR, RADIAL, 4% DF, +/-5%
C2, C4, C6	0.01 mfd, 250V, CFP-99, M
C3	4.0 mfd, 200V, METALLIZED POLYESTER FILM, FLAT AXIAL TYPE +/-5%, 45MM LG
C5	2.2 mfd, 100V, NON-POLAR, RADIAL, 4% DF, +/-5%, 13 x 26mm CS
L1	2.40 mH, 57 x 9.5 x 0.5mm, LAMINATED STEEL CORE, 0.33 ohm DCR, +/-5%, 18 AWG
L2	0.40 mH, 42 x 15 x 14mm, AIR CORE, 0.40 ohm DCR, +/-5%, 20 AWG
L3	0.20 mH, 25 x 12 x 12mm, AIR CORE, 0.40 ohm DCR, +/-5%, 22 AWG
R1, R2, R3	23 ohm, 10W, +/-5%
B1, B2	BULBS, SK-3
250	FASTON, FEMALE, .250 x 0.032, TINNED BRASS
205	FASTON, FEMALE, .205 x 0.020, BRASS
187	FASTON, FEMALE, .187 x 0.020, TINNED BRASS
187i	FASTON, FEMALE, .187 x 0.032, TINNED BRASS, VINYL INSULATOR
WIRES	16 AWG, UL-1015
PCB	MATERIAL: CEM-1 COPPER: 1oz.
MICS	ALUMINUM TUBE, 1.25 DIA, .032 MIN, THK, 2.25 LG
NOTE:	ALL COMPONENTS TO BE TESTED @ 1 kHz UNLESS OTHERWISE SPECIFIED