



Key Features:

- 15 inch Low Frequency Transducer
- Power LED
- Left Handle at Center of Gravity, Grasping Detail on Right Side
- Provisions for Ultimate Support Systems Speaker Stand
- Cable Dress Channels for Power and Input Cables
- Provisions for Hanging Cable Attachments for Aiming Speaker Cabinets
- Female and Male XLR Input/Output Connectors
- Level Control
- Signal Present LED
- Peak LED
- Phase (Polarity) Switch
- Phase Reversal LED indicator (LED 'in 'ON' when polarity is reversed
- Power Switch
- Male IEC Power Input Connector
- Female IEC Power Connector

EON[®] power sub

EON JBL

15 inch Powered Subwoofer

Specifications:

Low Frequency Transducer:

Diameter:	15 inches
Sensitivity:	93 dB SPL, 1 W - 1 m
Nominal Impedance:	2 ohms
Power Handling:	400 Watts
Frequency Range:	40 Hz to 150 Hz

Power Amplifier and System Specifications:

Rated Power:	250 watt
Rated Load Impedance:	2 ohms
Rated THD:	0.1 %

System Specifications:

Input Type:	Balanced Differential for
Input Impedance:	Line: 20 kohms
Speaker:	100 kohms
Sensitivity:	Line: +4 dBu
	Speaker: 20 volts
Input Protection:	RFI and Level
	Mic: -60 dBu
Maximum Input Level:	Line: +28 dBu
	Speaker: 120 volts
Low-Pass Filter:	125 Hz Active 2 pole
Enclosure Alignment:	6th Order
Over Excursion Prevention:	2nd Order High-Pass Filter
Low Line Voltage Shut Down:	1/2 Nominal Line
Thermal Protection:	Amplifier Shut
	Down Auto Reset
Muting:	5 seconds at turn-on
Acoustic Frequency Response:	40 Hz to 200 Hz
Maximum SPL at 1 meter:	(40 Hz to 150 Hz) 117 dB

Line Input Power:

US:	120 V, 60 Hz
Europe:	230 V, 50 Hz
Japan:	100 V, 50 Hz

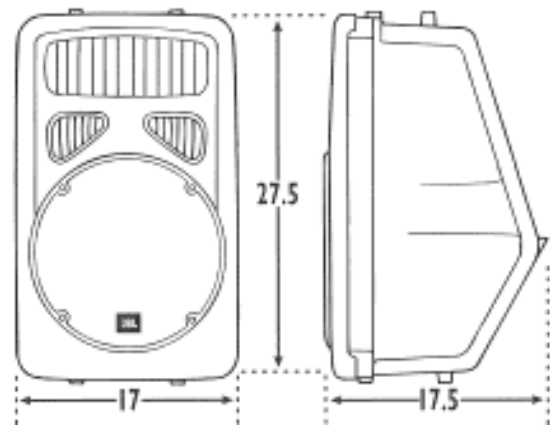
Product Description:

Specifications, continued

Physical Properties:

Height:	27.5 inches
Width:	17 inches
Depth:	17.5 inches
Internal Volume:	1.8 cubic feet
Weight:	< 38lbs
Front Baffle:	Die Cast Aluminum
Enclosure:	UL 94HB Polypropylene
Enclosure Geometry:	Semi-Trapezoidal with side flanges.
Mounting	Surfaces All.

EON PowerSub DIMENSIONS



The EON PowerSub is a full featured powered subwoofer designed to be an integral part of the EON powered sound system program. The unit is designed to augment the low frequency response of both 10 inch Two-way and 15 inch Two-way powered and unpowered speaker systems, and can also be used as a easy retrofit for the existing TR and MR lines. Input to the subwoofer can be either a balanced line input which is easily daisy-chained to other powered speakers, or the input can be a speaker level signal on a 1/4 inch Phone Jack to easily interface with existing products. Signal present and Peak overload LED indicators assist in system trouble shooting. A polarity (phase) switch is also provided for maximum bass output if other speakers systems are used which have opposite polarity caused by cable pair reversals, in-box speaker absolute polarity reversal, or room acoustics

As with the 10 inch and 15 inch Two-way powered and unpowered speaker systems, the subwoofer incorporates all of the technological advances found in the other units.

JBL continually engages in research related to product improvement. New materials production methods, and design refinements are introduced into existing products without notice as a routine expression of that philosophy. For this reason, any current JBL product may differ in some respect from its published description, but will always equal or exceed the original design specifications unless otherwise



JBL Professional 8500 Balboa
Boulevard, P.O. Box 2200
Northridge, California 91329 U.S.A.

A Harman International Company

SSEON
PWRSUB 1/97