

Technical Manual

JBL LSR28P



SPECIFICATIONS

ACOUSTIC & ELECTRICAL SPECIFICATIONS:

- Nominal Impedance: 4 ohm
- Power Consumption: 220W, (IEC 265)
- Power Capacity: HF 100W, LF 250W
- Frequency Response: 50 Hz – 20 kHz (+1, -1.5)
- Sensitivity (XLR Input): +4dB, 96dB, @ 1 Meter
(1/4" Input): -10dB, 96dB, @ 1 Meter
(All DIP Switches Set Off) +4dBu Signal
- Crossover Frequency: 1.7 kHz

SYSTEM COMPONENTS:

- Cabinet: (Not For Sale)
- Low Frequency Transducer: 203mm (8 in.) Cone Transducer (218F)
DC Resistance: 1.8 ohm ± 10%

- High Frequency Transducer: 25mm (1 in.) Diaphragm (053Ti)
- DC Resistance: 3.5 ohm – 3.8 ohm

AURAL SWEEP TEST SPECIFICATIONS:

(XLR Input All DIP Switches Set Off)

- A. System Aural Sweep Test: 1.5V Input, 20 Hz to 30 kHz
- B. L.F. Aural Sweep Test: 7.0V Input, 20 Hz to 5 kHz
- C. H.F. Aural Sweep Test: 1.5V Input, 200 Hz to 20 kHz

PHYSICAL SPECIFICATIONS:

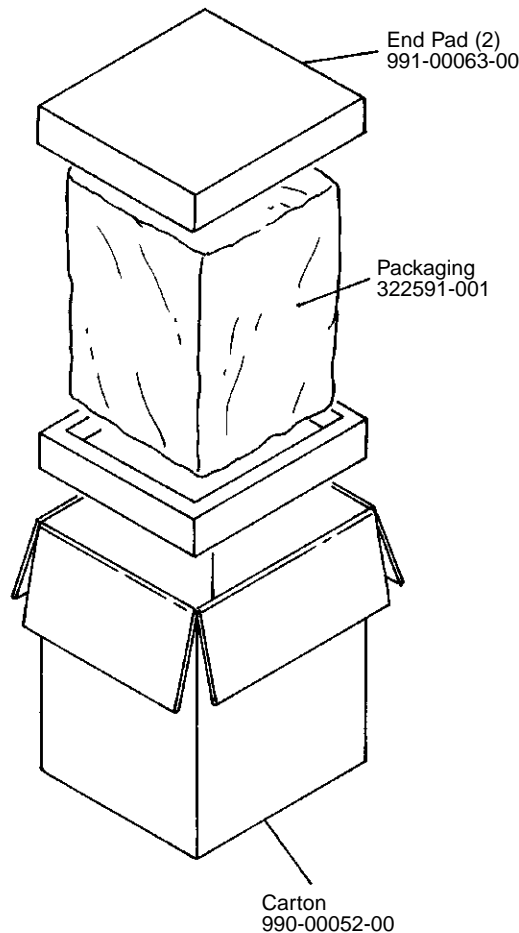
- Enclosure Dimensions: 406mm x 330mm x 324mm D (16.0 x 13.0 x 12.75 in. D)
- Net Weight: 45 lbs. (20.5 kg.)

WARRANTY INFORMATION:

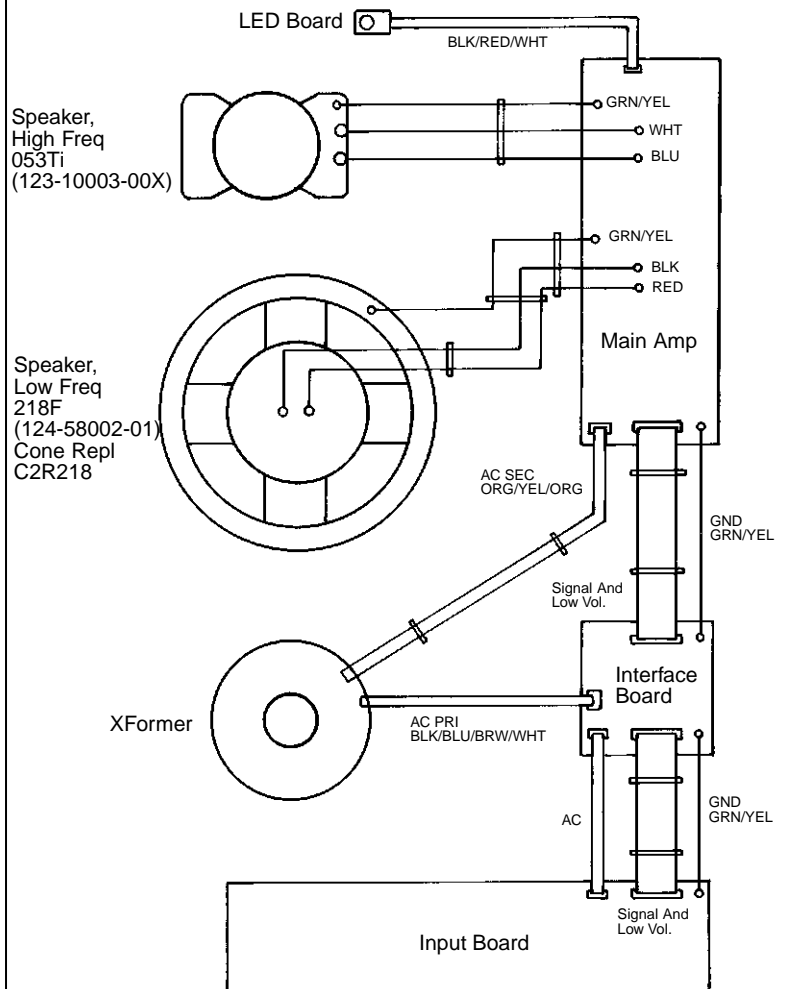
- Refer to Warranty Statement packed with each product.

PACKAGE

Warranty 59660
Specification Sheet
981-00047-00
Cord, PWR
321101-001
Dessicant 53688

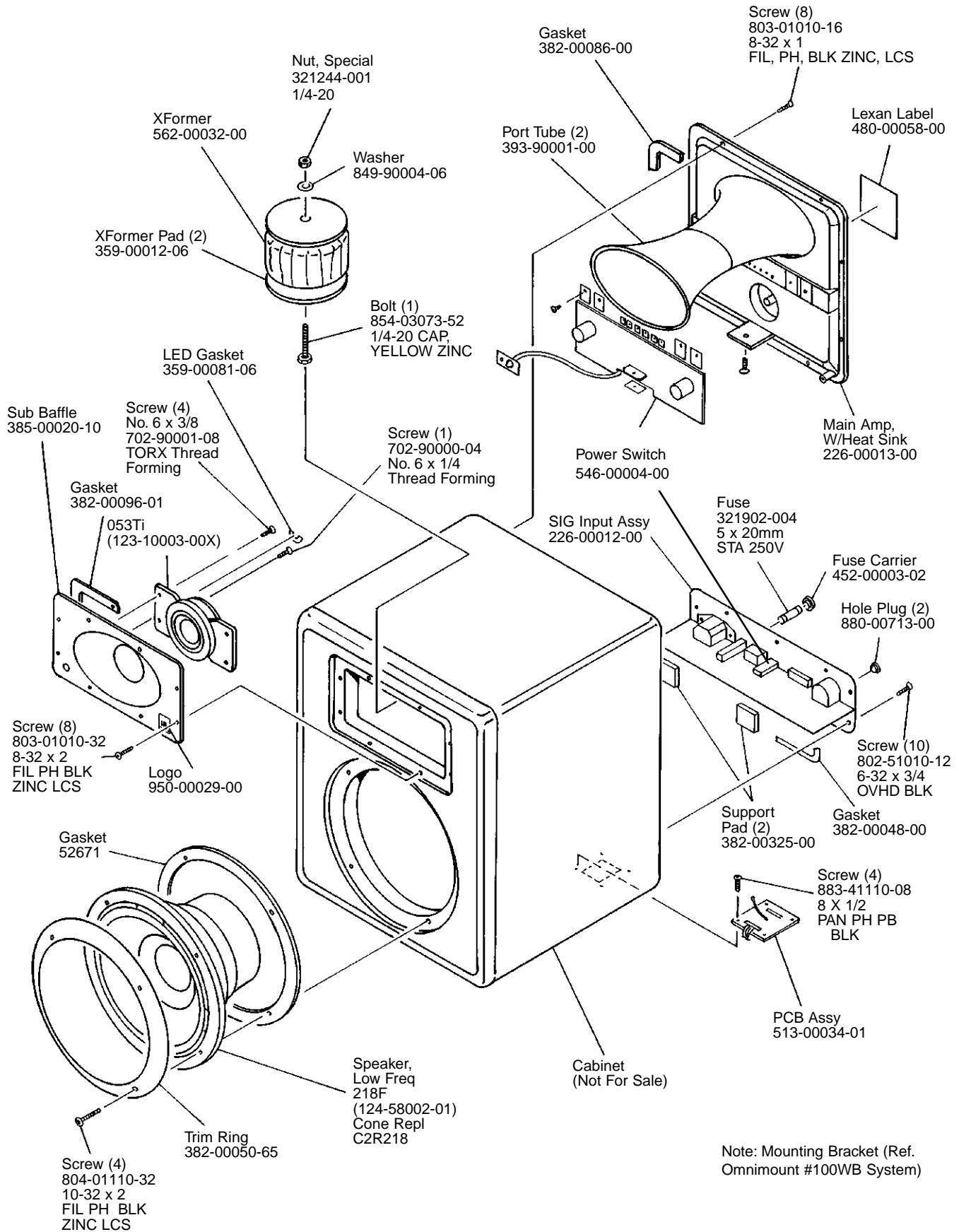


WIRING DIAGRAM



JBL LSR28P

COMPONENT EXPLODED VIEW



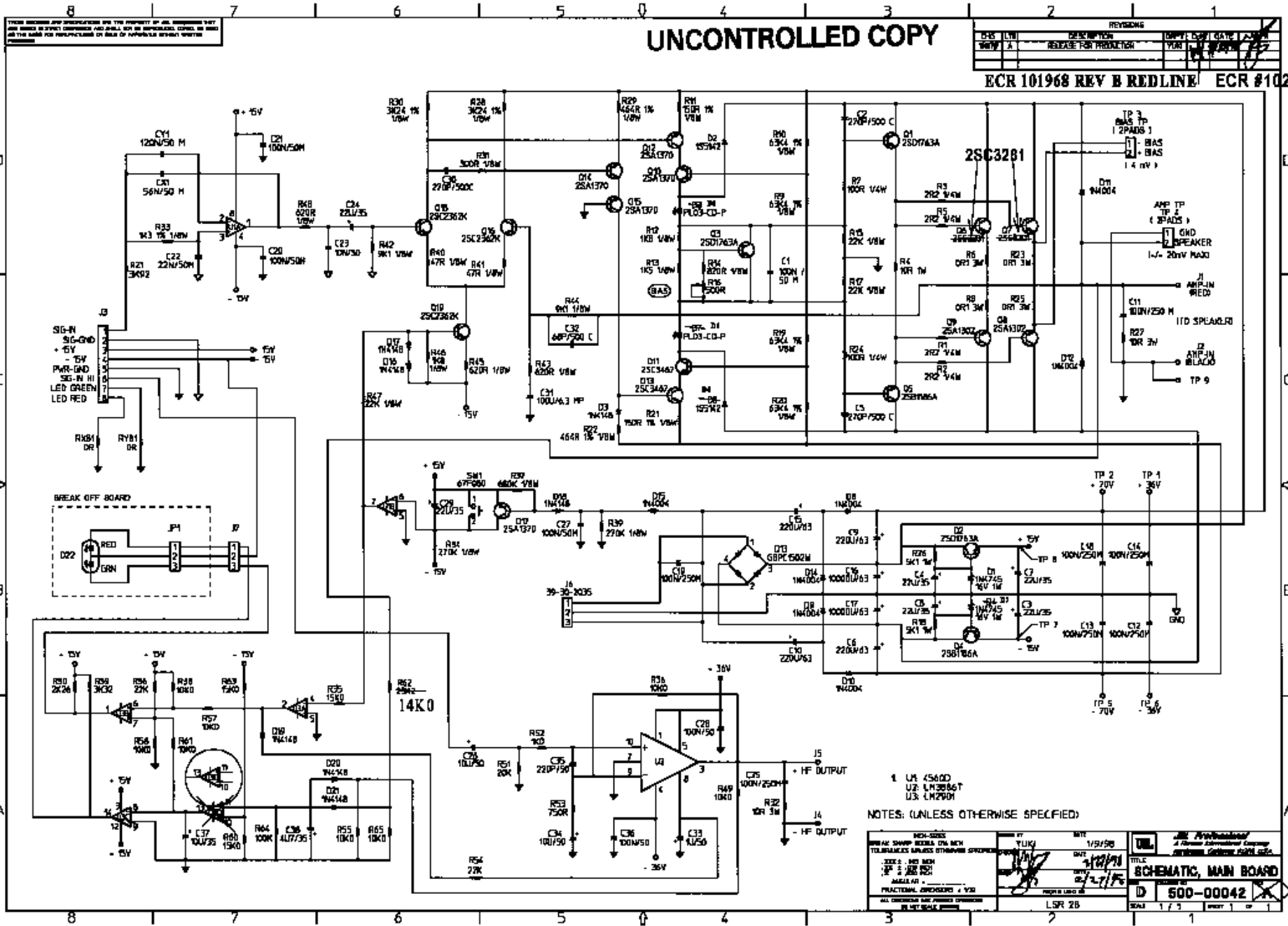
Note: Mounting Bracket (Ref. Omnimount #100WB System)

JBL LSR28P

UNCONTROLLED COPY

REVISIONS			
CHK	LN#	DESCRIPTION	DATE
1000	A	RELEASE FOR PRODUCTION	1/18/80

ECR 101968 REV B REDLINE ECR #102214 REV C



U1 4560D
U2 LM3886T
U3 LM2901
NOTES: (UNLESS OTHERWISE SPECIFIED)

DESIGNED BY: JLUK CHECKED BY: JLUK DATE: 1/18/80 DRAWN BY: JLUK DATE: 1/18/80 SCALE: 1:1	REV: 1/18/80 DATE: 1/18/80 BY: JLUK REASON: REVISED	JBL JBL Professional A General International Company 3000 Middle Road Northridge, California 91329 U.S.A.
TITLE: SCHEMATIC, MAIN BOARD		PART NUMBER: 500-00042
PROJECT: LSR 28		SHEET: 1 OF 1