



MP212 12 Inch Two-Way Speaker



Professional Series

Key Features:

- ▶ Multi-angle enclosure designed for use as a front-of-house speaker or a stage monitor.
- ▶ 70° x 70° horn designed for even coverage and smooth response on and off axis.
- ▶ Ferro-fluid cooled compression driver with titanium diaphragm.
- ▶ SonicGuard™ protects high-frequency driver from excess power without interrupting the performance.
- ▶ JBL M112-8 12" low frequency driver with 2½" (64 mm), edgewound voice coil.
- ▶ Laminar Flow Baffle™ reduces distortion and diffraction effects by providing smooth, rounded baffle contours.
- ▶ Molded baffle constructed of SMC (sheet molding compound), a durable, cross-linked thermo-plastic also used in automotive body panels.
- ▶ Precision engineered crossover for optimal power response and performance in the critical mid-range region.
- ▶ Input panel includes a Neutrik® Speakon® NL-4 input and a ¼" phone jack for flexible connectivity.
- ▶ Rectangular enclosure constructed of 18 mm plywood using tongue-and-groove joint detail for durability and years of service.
- ▶ Covered in premium grade, 12 oz. carpet - the most durable and attractive carpet covering available.
- ▶ Attractive 16 gauge, hexagon perforated, steel grill protects components from damage.
- ▶ 35 mm pole mount receptacle.

The MPro MP212 is a compact, portable, twelve inch, two-way speaker system in a multi-angle enclosure that's equally at home in main PA or stage monitor



applications. The Laminar Flow Baffle reduces diffraction effects and distortion resulting from turbulence. The horn design with its large mouth delivers smooth, natural reproduction - especially in the critical mid-range. The edges of the premium grade carpet are captured by the joint detail to prevent visible seams or peeling. A 16 gauge, steel grill protects the 12-inch JBL woofer. Designed for portable applications in live performance, music playback, and reinforcement of speech, the MP212 will deliver excellent performance by itself or as a satellite over the MP255S subwoofer.

Specifications:

System Type:	12" 2-way bass reflex
Frequency Range (-10dB):	50 Hz - 16 kHz
Frequency Response (+/-3 dB):	64 Hz - 16 kHz
Sensitivity (1w/1m):	99 dB
Nominal Impedance:	8 Ohms
Maximum SPL ² :	129 dB
Power Capacity ³ :	250W
Peak Power Capacity ³ :	1000W
Nominal Dispersion:	70° x 70°
Dimensions ⁴ (in):	24.0 x 15.9 x 13.7
Dimensions ⁴ (mm):	610 x 404 x 348
Net Weight (lbs):	44.5
Net Weight (kgs):	20.2
LF Driver:	1 x JBL M112-8
HF Driver:	1 x JBL 2412H
Input Connectors:	Neutrik® SpeakOn® NL-4 (x1), ¼" phone jack (x1), parallel
Enclosure Construction:	Dark gray carpet covered, 18 mm plywood using tongue-and-groove joint detail. One piece SMC (sheet molding compound) baffle with integral horn and ports.

¹ Frequency Range and Response specifications based on half space (2 π) conditions

² Calculated based on Peak Power Capacity and Sensitivity

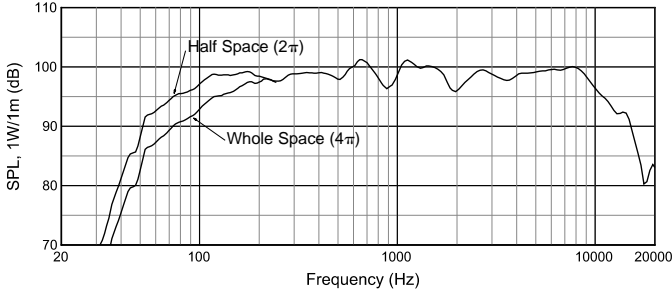
³ "Power Capacity" and "Peak Power Capacity" ratings are based on the average and peak power handling capacity of product samples subjected to a 100 hour power test of the system design using IEC filtered pink noise with a crest factor of 6 dB

⁴ Height dimension includes feet

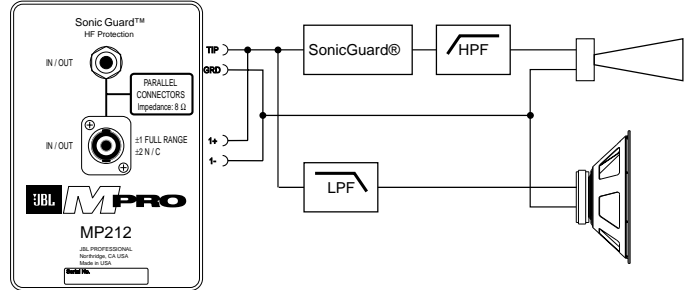
JBL continually engages in research related to product improvement. New materials, production methods and design refinements are introduced into existing products without notice as a routine expression of that philosophy. For this reason, any current JBL product may differ in some respect from its published description, but will always equal or exceed the original design specifications unless otherwise stated.

► MPro MP212 12 Inch Two-Way Speaker

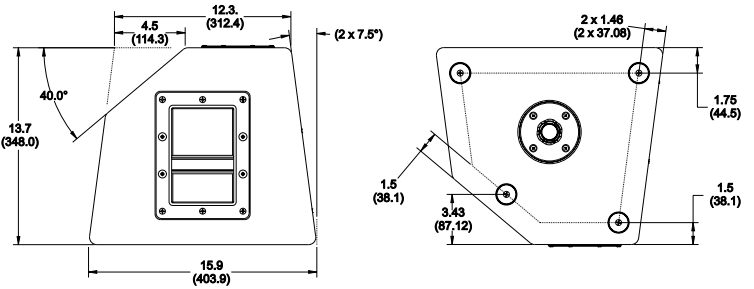
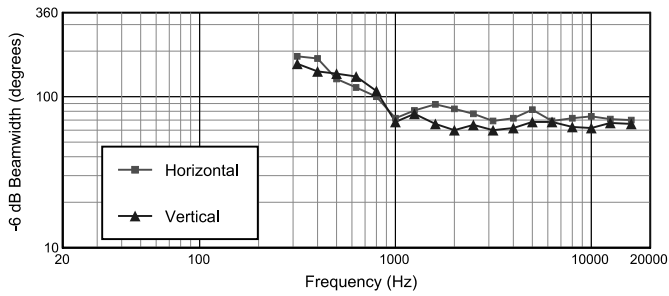
Frequency Response:



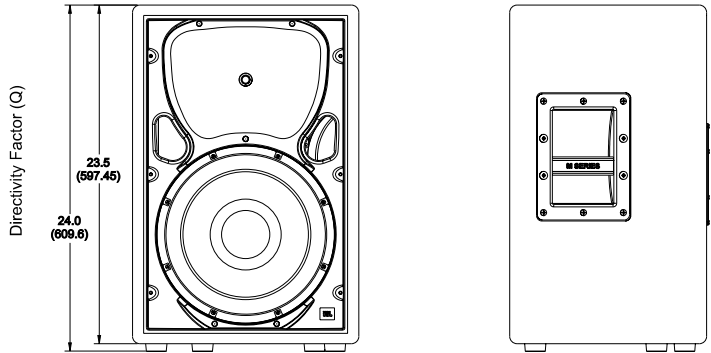
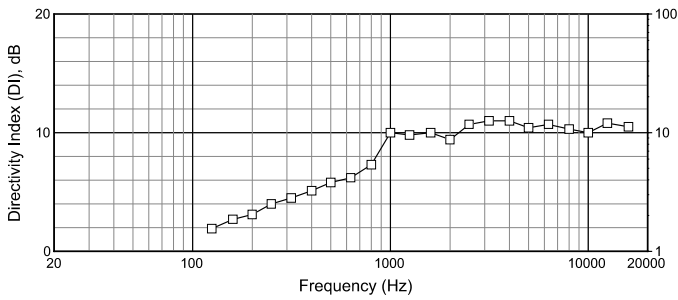
Block Diagram:



Beamwidth:



Directivity Index:



JBL Professional
8500 Balboa Boulevard, P.O. Box 2200
Northridge, California 91329 U.S.A.

CRP 15M
5/01