

Technical Manual

JBL MP212

SPECIFICATIONS



ACOUSTIC & ELECTRICAL SPECIFICATIONS:

- Nominal Impedance: 8 ohms
- Power Capacity: 250W
- Frequency Range: 50 Hz – 16 kHz (-10dB)
- Sensitivity: 99 dB SPL, 1 Watt @ 1 Meter
- Crossover Frequency: 1.8 kHz

SYSTEM COMPONENTS:

- Cabinet: Enclosure MP212
- Grille: 128-00432-01
- Low Frequency Transducer: 300mm (12 in.) M112-8 Transducer (336961-001X)
- DC Resistance: 5.2 ohms
- High Frequency Transducer: 2412H 1in. Compression Driver (125-10000-00X)
- DC Resistance: 3.6 ohms

SYSTEM COMPONENTS: (Cont'd)

- Crossover Network: 337353-001

AURAL SWEEP TEST SPECIFICATIONS:

- A. System Aural Sweep Test: 7.0V Input, 20 Hz to 20 kHz
- B. L.F. Aural Sweep Test: 6.0V Input, 20 Hz to 1 kHz
- C. H.F. Aural Sweep Test: 2.83V Input, 550 Hz to 1.2 kHz

PHYSICAL SPECIFICATIONS:

- Enclosure Dimensions: 610mm x 404mm x 348mm D (24.0 x 15.9 x 13.7 in. D)
- Net Weight: 44.5 lbs. (20.2 kg.)

WARRANTY INFORMATION:

- Refer to Warranty Statement packed with each product.

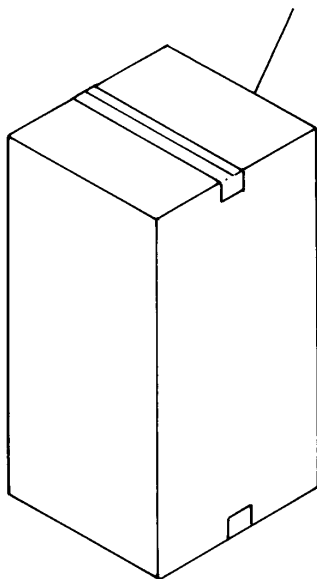
PACKAGE

Warranty 59660
Owners Manual
336824-002

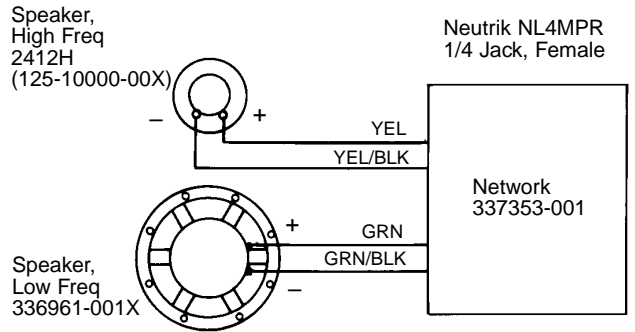
End Pad (2)
337218-001

Microfoam (4)
49790P

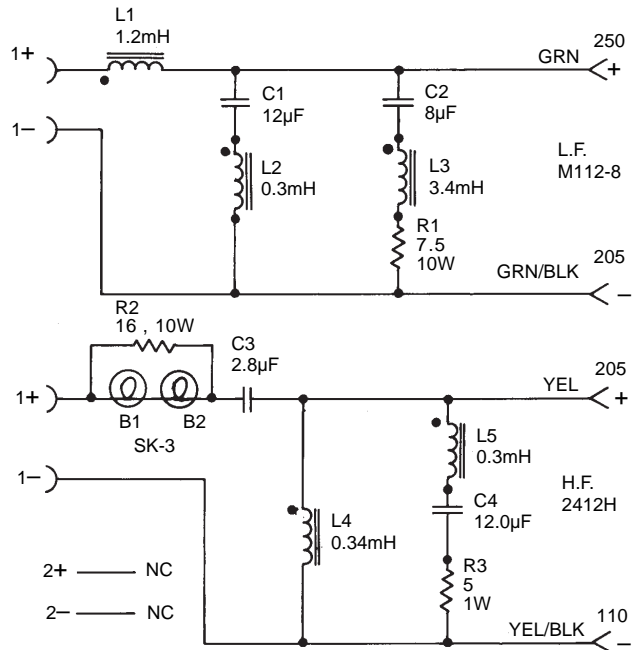
Carton MP412
337217-001



WIRING DIAGRAM



SCHEMATIC (337353-001)



JBL MP212 REV M

JBL MP212

COMPONENT EXPLODED VIEW

