



MP225 Dual 15 Inch Two-Way Speaker



Professional Series

Key Features:

- ▶ 70° x 70° horn designed for even coverage and smooth response on and off axis.
- ▶ Ferro-fluid cooled compression driver with titanium diaphragm.
- ▶ SonicGuard™ protects high-frequency driver from excess power without interrupting the performance.
- ▶ Dual JBL 15" low frequency drivers with 2½" (64 mm), edgewound voice coil.
- ▶ Laminar Flow Baffle™ reduces distortion and diffraction effects by providing smooth, rounded baffle contours.
- ▶ Molded baffle constructed of SMC (sheet molding compound), a durable, cross-linked thermo-plastic also used in automotive body panels.
- ▶ Precision engineered crossover for optimal power response and performance in the critical mid-range region. Each woofer has an individual band-pass to maintain coverage pattern control.
- ▶ Input panel includes a Neutrik® Speakon® NL-4 input and a ¼" phone jack for flexible connectivity.
- ▶ Rectangular enclosure constructed of 18 mm plywood using tongue-and-groove joint detail for durability and years of service.
- ▶ Covered in premium grade, 12 oz. carpet - the most durable and attractive carpet covering available.
- ▶ Attractive full-length 16 gauge, hexagon perforated, steel grill protects components from damage.

The MPro MP225 is a portable, dual fifteen-inch, two-way speaker system designed for applications in live performance, music playback, and reinforcement of speech. The Laminar Flow Baffle reduces diffraction effects and distortion resulting from turbulence. The



crossover network employs separate low-pass filters for each woofer. The lower woofer is rolled off at a lower frequency than is the upper woofer. This reduces mid-range phase anomalies while retaining the strong low-frequency output that is the primary appeal of a dual woofer system. The horn design with its large mouth delivers smooth, natural reproduction - especially in the critical mid-range. The edges of the premium grade carpet are captured by the joint detail to prevent visible seams or peeling. A 16 gauge, steel grill protects the 15 inch JBL woofers.

Specifications:

System Type:	Dual 15" 2-way bass reflex
Frequency Range (-10dB) ¹ :	32 Hz - 12.5 kHz
Frequency Response (+/-3 dB) ¹ :	42 Hz - 11 kHz
Sensitivity (1w/1m):	101 dB
Nominal Impedance:	4 Ohms
Maximum SPL ² :	134 dB
Power Capacity ³ :	500W
Peak Power Capacity ³ :	2000W
Nominal Dispersion:	70° x 70°
Dimensions ⁴ (in):	45.8 x 18.3 x 20.2
Dimensions ⁴ (mm):	1163 x 465 x 513
Net Weight (lbs):	99.5
Net Weight (kgs):	45.1
LF Driver:	2 x JBL M115-8A
HF Driver:	1 x JBL 2412H
Input Connectors:	Neutrik® SpeakOn® NL-4 (x1), ¼" phone jack (x1), parallel
Enclosure Construction:	Dark gray carpet covered, 18 mm plywood using tongue-and-groove joint detail. One piece SMC (sheet molding compound) baffle with integral horn and ports.

¹ Frequency Range and Response specifications based on half space (2π) conditions

² Calculated based on Peak Power Capacity and Sensitivity

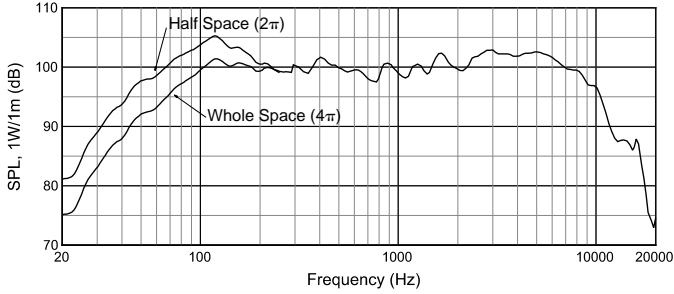
³ "Power Capacity" and "Peak Power Capacity" ratings are based on the average and peak power handling capacity of product samples subjected to a 100 hour power test of the system design using IEC filtered pink noise with a crest factor of 6 dB

⁴ Height dimension includes feet

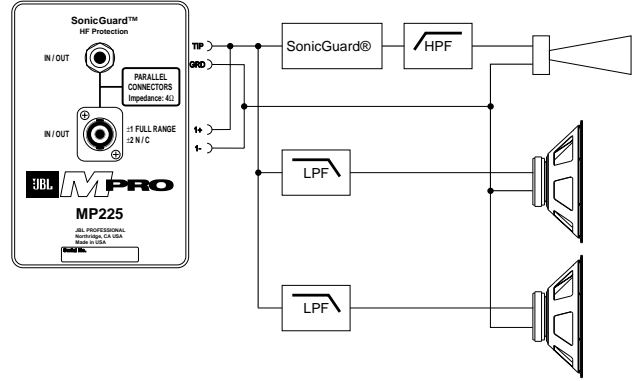
JBL continually engages in research related to product improvement. New materials, production methods and design refinements are introduced into existing products without notice as a routine expression of that philosophy. For this reason, any current JBL product may differ in some respect from its published description, but will always equal or exceed the original design specifications unless otherwise stated.

► MPro MP225 Dual 15 Inch Two-Way Speaker

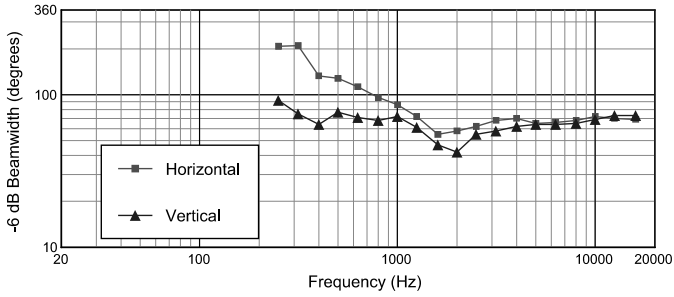
Frequency Response:



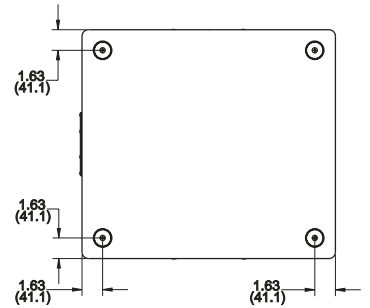
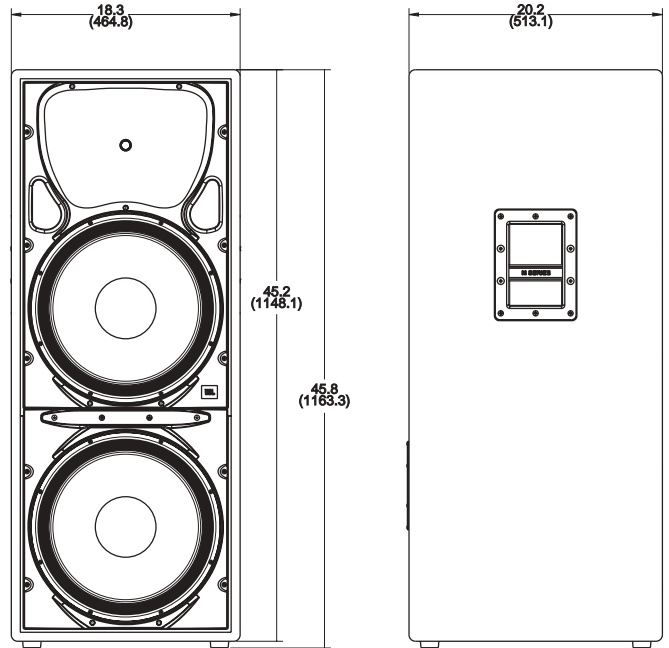
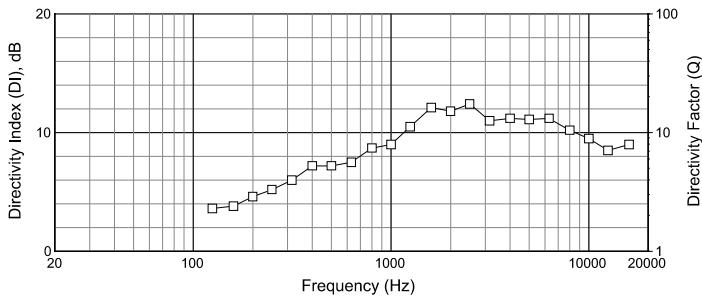
Block Diagram:



Beamwidth:



Directivity Index:



JBL Professional
8500 Balboa Boulevard, P.O. Box 2200
Northridge, California 91329 U.S.A.

■ A Harman International Company

CRP 15M
5/01