

# Technical Manual

# JBL MP225

## SPECIFICATIONS



PROFESSIONAL

### ACOUSTIC & ELECTRICAL SPECIFICATIONS:

- Nominal Impedance: 4 ohms
- Power Capacity: 500W
- Frequency Range: 32 Hz – 12.5 kHz (-10dB)
- Sensitivity: 101 dB SPL, 1 Watt @ 1 Meter
- Crossover Frequency: 1.8 kHz

### SYSTEM COMPONENTS:

- Cabinet: Enclosure MP225
- Grille: 128-00434-02
- Low Frequency Transducer: 380mm (15 in.) M115-8A Transducer (124-67001-01X)
- DC Resistance: 5.3 ohms
- High Frequency Transducer: 2412H 1in. Compression Driver (125-10000-00X)
- DC Resistance: 3.6 ohms

### SYSTEM COMPONENTS: (Cont'd)

- Crossover Network: 337535-002

### AURAL SWEEP TEST SPECIFICATIONS:

- A. System Aural Sweep Test: 7.0V Input, 20 Hz to 20 kHz
- B. L.F. Aural Sweep Test: 7.0V Input, 20 Hz to 200 Hz
- C. H.F. Aural Sweep Test: 2.83V Input, 550 Hz to 1.2 kHz

### PHYSICAL SPECIFICATIONS:

- Enclosure Dimensions: 1163mm x 465mm x 513mm D (45.8 x 18.3 x 20.2 in. D)
- Net Weight: 99.5 lbs. (45.1 kg.)

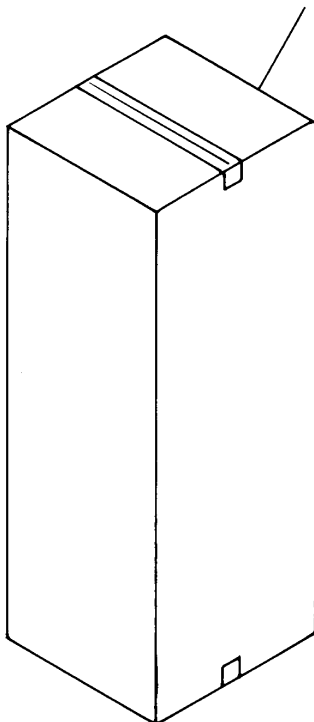
### WARRANTY INFORMATION:

- Refer to Warranty Statement packed with each product.

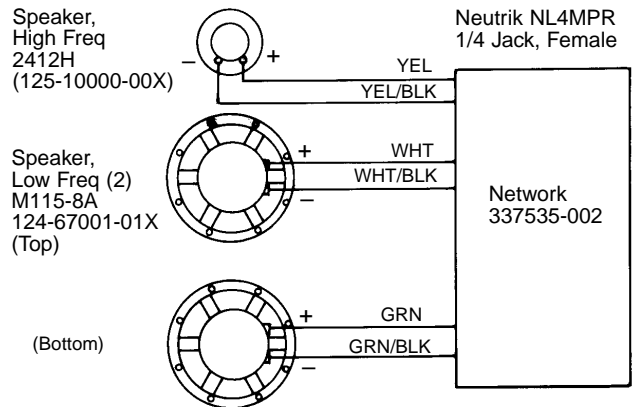
## PACKAGE

Warranty 59660  
Owners Manual  
336824-002

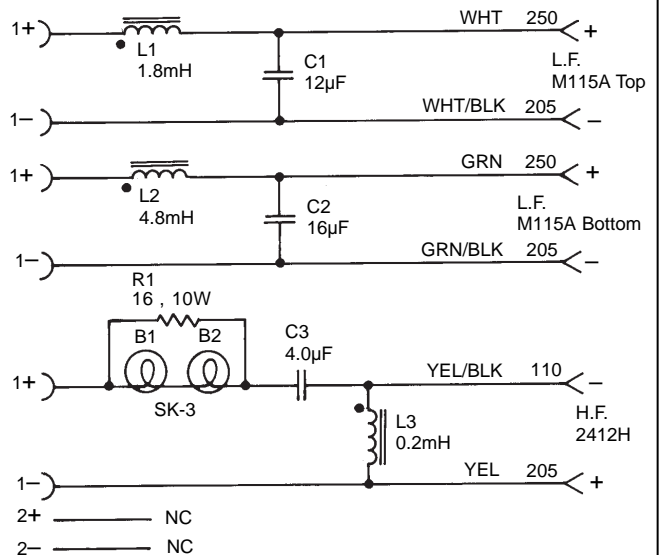
- End Pad (2)  
337168-001
- Microfoam (4)  
49790P
- Carton  
337169-001



## WIRING DIAGRAM



SCHEMATIC (337535-002)

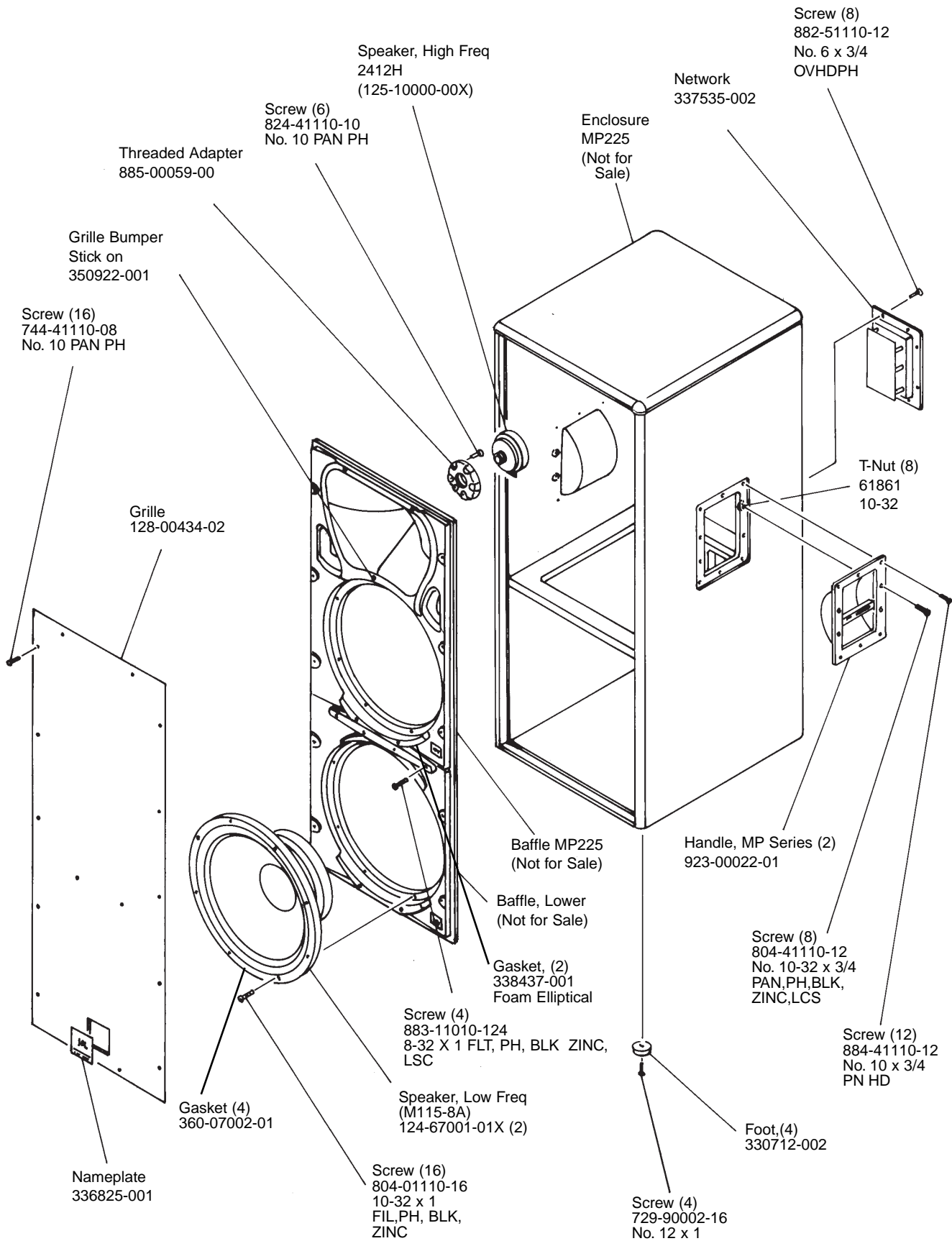


2+ ——— NC  
2- ——— NC

JBL MP225 REV T

# JBL MP225

## COMPONENT EXPLODED VIEW



JBL MP225