



# MP418S 18 Inch Compact Subwoofer System



Professional Series

## Key Features:

- ▶ 600 watt (average), 2,400 watt (peak), 4 ohm VGC™ (Vented Gap Cooling) 18 inch low frequency transducer for power and performance. VGC design greatly reduces output-robbing power compression.
- ▶ Dual Neutrik® Speakon® NL-4 input connectors provided for secure connection.
- ▶ Input connections may be reconfigured for pin 1± or pin 2± for compatibility with any cabling scheme.
- ▶ Enclosure constructed of 18 mm plywood and coated with JBL's exclusive DuraFlex™ - a rugged, advanced, poly-urea finish.
- ▶ 16 gauge, hexagon perforated, steel grill.
- ▶ Heavy duty steel carry handles.
- ▶ 35 mm pole mount receptacle for use with mid / high "satellite" speakers. Receptacle is ruggedized to withstand the additional stress of supporting a satellite system. Requires optional SS3BK pole or equivalent.

The MPro MP418S is a compact, single eighteen inch subwoofer in a bass reflex enclosure. It is designed to supplement and extend the low-frequency output of full-range systems in a variety of portable and fixed applications. Achieving the power and performance characteristics of the MP418S requires the use of a woofer with very high motor strength - the JBL 2241. This woofer uses VGC (Vented Gap Cooling) an exclusive JBL technology that greatly reduces the loss of output resulting from power compression.

"Subwoofer / satellite" systems (systems in which a smaller, two-way speaker is mounted over a subwoofer) have grown in popularity as users recognize the benefits of elevating the mid and high frequencies while positioning the subwoofer on the floor or stage. To support such applications, the



MP418S includes a specially designed, top-mounted, 35 mm pole mount receptacle.

The input panel incorporates a pair of Neutrik® Speakon® NL-4 connectors wired in parallel. The subwoofer is supplied with pins 1± connected to the woofer. This may be easily reconfigured to work with cabling systems intended to drive subwoofers on pins 2±.

The MP418S is also designed to be used as a "slave" to the powered MP418SP. When used in this manner, the result is a dual 18", powered subwoofer system with 1,320 watts total power.

## Preliminary Specifications:

System Type:	18" subwoofer, bass-reflex enclosure
Frequency Range (-10 dB) <sup>1</sup> :	36 Hz - 300 Hz
Frequency Response (±3 dB) <sup>1</sup> :	40 Hz - 300 Hz
Sensitivity (1w/1m) <sup>2</sup> :	101 dB SPL
Nominal Impedance:	4 ohms
Maximum SPL <sup>2</sup> :	135 dB SPL
Power Capacity <sup>3</sup> :	600 watts
Peak Power Capacity <sup>3</sup> :	2,400 watts
Dimensions (H x W x D) <sup>4</sup> :	617.9 mm x 538.1 mm x 598.4 mm (24.3 in x 21.2 in x 23.6 in)
Net Weight:	29 kg (64 lbs.)
Drivers:	1 x JBL 2241G
Input Connectors:	Neutrik® Speakon® NL-4 (x2), factory wired for pin 1± operation, user configurable for pin 2± operation
Enclosure Construction:	DuraFlex coated, 18 mm plywood; steel carrying handles, 16 ga. steel grill; 35 mm pole mount socket.
Optional Accessories:	SS3BK pole

<sup>1</sup> Half space (2π) conditions

<sup>2</sup> Calculated half space (2π) performance based upon Peak Power Capacity and Sensitivity

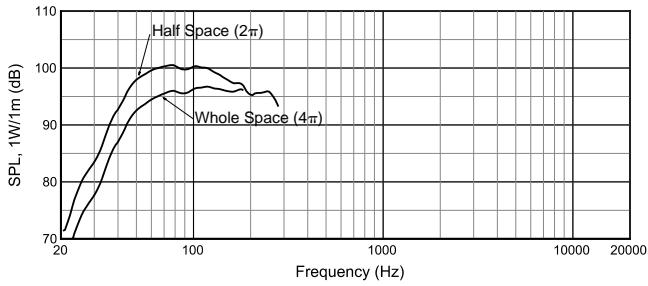
<sup>3</sup> "Power Capacity" and "Peak Power Capacity" ratings are based on the average and peak power handling capacity of product samples subjected to a 100 hour power test of the system using AES filtered pink noise with a crest factor of 6 dB.

<sup>4</sup> Dimensions include feet

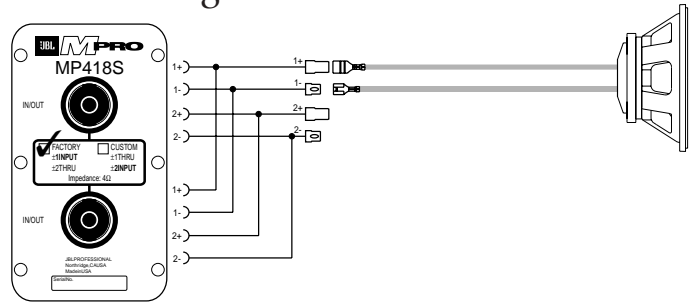
JBL continually engages in research related to product improvement. New materials, production methods and design refinements are introduced into existing products without notice as a routine expression of that philosophy. For this reason, any current JBL product may differ in some respect from its published description, but will always equal or exceed the original design specifications unless otherwise stated.

# ▶ MPro MP418S 18 Inch Compact Subwoofer

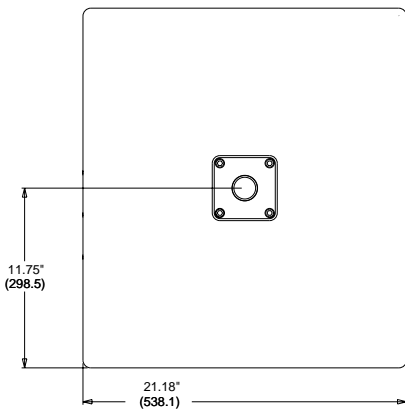
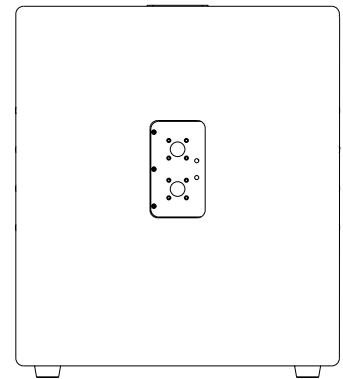
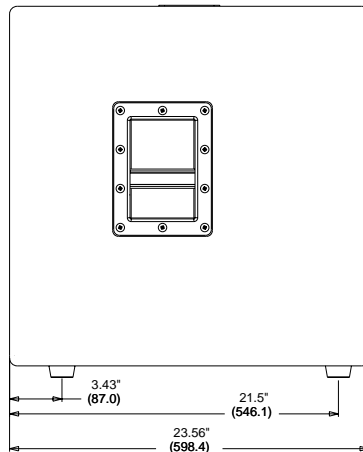
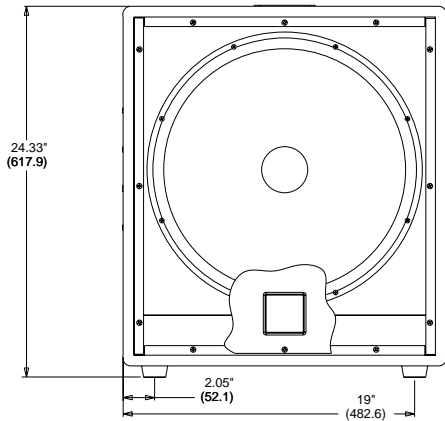
## Frequency Response:



## Block Diagram:



## Dimensions:



JBL Professional  
8500 Balboa Boulevard, P.O. Box 2200  
Northridge, California 91329 U.S.A.

CRP 15M  
5/01