

# Technical Manual

# JBL MP418S

## SPECIFICATIONS



### ACOUSTIC & ELECTRICAL SPECIFICATIONS:

- Nominal Impedance: 4 ohms
- Power Capacity: 600W (IEC Filtered Noise, 100 Hours)
- Frequency Range: 38 Hz - > 300 Hz (-10dB)
- Sensitivity: 96 dB SPL, 1 Watt @ 1 Meter

### SYSTEM COMPONENTS:

- Cabinet: Enclosure MP418S
- Grille: 128-00436-01
- Low Frequency Transducer: 460mm (18in.) 2241GPL Transducer (71126-03X)
- DC Resistance: 2.5 ohm ±10%

### SYSTEM COMPONENTS: (Cont'd)

- Network: 336979-002

### AURAL SWEEP TEST SPECIFICATIONS:

- A. System Aural Sweep Test: 7.0V Input, 20 Hz to 1.2 kHz
- B. L.F. Aural Sweep Test: 10V Input, 20 Hz to 1.2 kHz

### PHYSICAL SPECIFICATIONS:

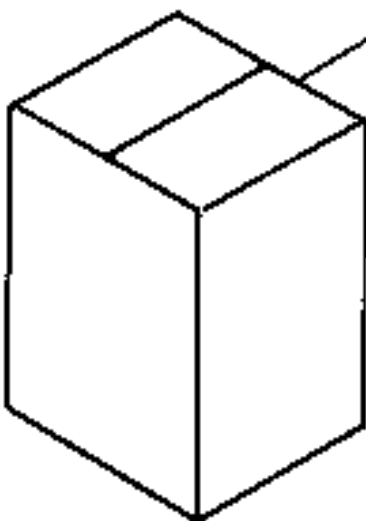
- Enclosure Dimensions: 617.9mm x 538.1mm x 598.4mm D (24.3 x 21.2 x 23.6 in. D)
- Net Weight: 64 lbs. (29 kg.)

### WARRANTY INFORMATION:

- Refer to Warranty Statement packed with each product.

## PACKAGE

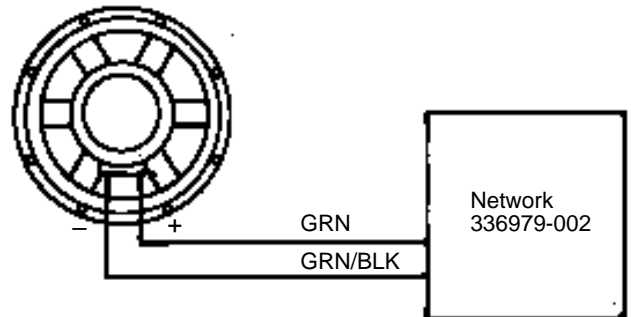
Warranty 59660  
Owners Manual 337568-002



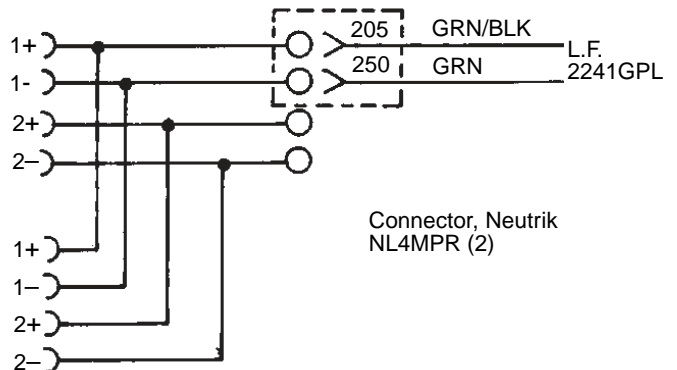
- End Pad (2) 336978-001
- Microfoam (8) 49790D
- Carton 336977-001
- Filler (2) 337980-001

## WIRING DIAGRAM

Speaker, Low Freq  
(71126-03X)  
2241GPL  
Cone Repl  
C4R2241



SCHEMATIC (336979-001)



Connector, Neutrik  
NL4MPR (2)

