



MRX518S 18" High-Power Subwoofer

Key Features:

- ▶ 18 inch, 2044G driver for extended low-frequency output
- ▶ Large vent area for reduced distortion
- ▶ Low profile and compact
- ▶ Tough DuraFlex™ finish enclosure

Applications:

- ▶ Live performance venues
- ▶ Mobile and fixed DJ systems

The MRX518S is a compact, high power subwoofer system containing a 2044G 457 mm (18") woofer in a front-loaded, vented enclosure. The enclosure is designed to present a minimum frontal area.

The system offers complete input connection flexibility for compatibility with a variety of cabling schemes. The input panel incorporates a pair of Neutrik® Speakon® NL-4 connectors wired in parallel. The MRX518S is supplied with pins +1/-1 connected to the woofer. This may be easily reconfigured to work with cabling systems intended to drive subwoofers on pins +2/-2.

For "Subwoofer/Satellite" configurations, the MRX518S is equipped with a top-mounted, 35 mm pole mount socket that can receive the optional SS3-BK pole. This can be used to mount speakers equipped with standard 35 mm pole sockets and weighing up to 50 kg (100 lbs).

The enclosure is constructed of top quality plywood, coated in JBL's rugged DuraFlex™ finish and is braced to maximize low-frequency performance. The attractive CNC-machined, 16-gauge steel grille is internally lined with an acoustically transparent screen to provide additional driver protection and give a very professional appearance.



Specifications:

Frequency Range (-10 dB):	40 Hz – 200 Hz
Frequency Response (±3 dB):	45 Hz – 200 Hz
Input Connection Modes:	Internally configurable, +1/-1 or +2/-2
Recommended Crossover:	80 Hz, 24 - 48 dB/octave
Power Rating:	500 W/ 1000 W/ 2000 W, 2 hrs ¹
(Continuous / Program / Peak)	400 W/ 800 W/ 1600 W, 100 hrs ¹
Maximum SPL:	127 dB SPL continuous (133 dB SPL peak) ²
System Sensitivity (1w @ 1m):	94 dB SPL; 100 dB SPL ²
LF Driver:	1 x JBL 2044G 457 mm (18 in) woofer
Nominal Impedance:	4 ohms
Mounting:	Top mounted 35 mm socket for optional SS3-BK pole
Enclosure:	Rectangular, 18 mm, plywood
Finish:	Black DuraFlex™ finish
Grille:	Powder coated, black, 16 gauge perforated steel with acoustically transparent black screen backing.
Input Connectors:	Neutrik® Speakon® NL-4 (x2)
Dimensions (H x W x D):	560 mm x 535 mm x 700 mm (22 in x 21 in x 27.5 in)
Net Weight:	32.5 kg (72 lb)
Optional Accessories:	SS3-BK: Satellite speaker pole

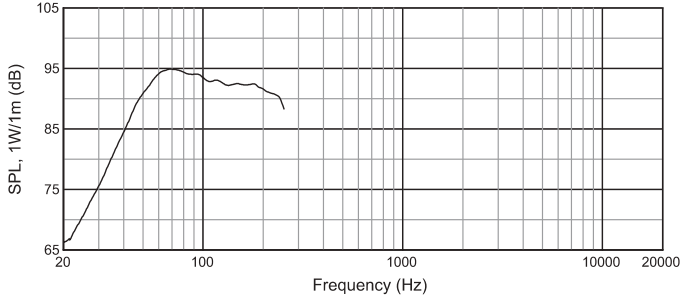
¹ 40 Hz to 400 Hz pink noise with 6 dB crest factor for specified period

² Calculated on half space condition

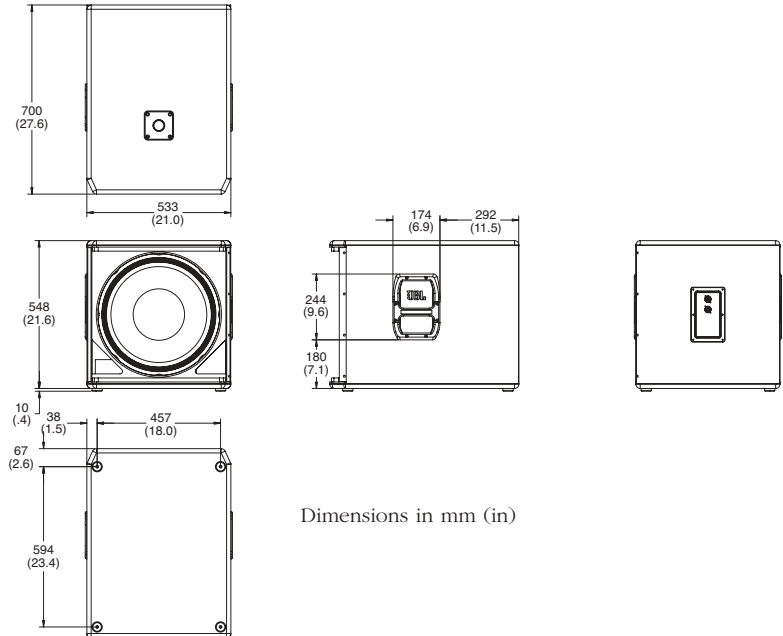
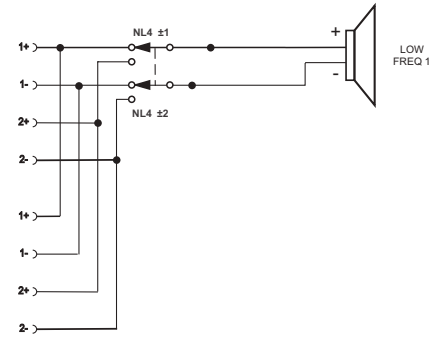
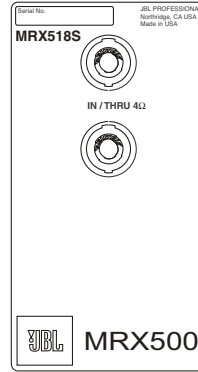
JBL continually engages in research related to product improvement. Some materials, production methods and design refinements are introduced into existing products without notice as a routine expression of that philosophy. For this reason, any current JBL product may differ in some respect from its published description, but will always equal or exceed the original design specifications unless otherwise stated.

► MRX518S 18" High-Power Subwoofer

Frequency Response:



Block Diagram:



JBL Professional
 8500 Balboa Boulevard, P.O. Box 2200
 Northridge, California 91329 U.S.A.

■ A Harman International Company
 © Copyright 2006 JBL Professional

SS MRX518S
 CRP 5M
 03/06