



PRX618S-XLF

Self Powered 18",
Bass-Reflex

Professional Series

Features:

- ▶ Maximum SPL 133 dB peak
- ▶ 460 mm (18 in) Differential Drive® dual voice-coil and magnetic gap, neodymium woofer
- ▶ 1000 Watt (2 x 500 watt) Class-D, Crown® digital amplifier
- ▶ DSP input section with dbx® Type IV™ limiter circuit, crossover, dynamic limiting, component optimization, selectable system EQ
- ▶ Professional XLR line and ¼ in Mic/Instrument inputs, with loop-through
- ▶ Obsidian DuraFlex™ coated plywood construction
- ▶ Top panel M20 pole mount socket for sub/satellite configuration
- ▶ Large glass-filled nylon handlebar with a fine tuned ergonomic rubber grip for maximum comfort

Application:

The PRX618S-XLF extended low frequency subwoofer was designed and engineered to provide sub bass frequencies with accuracy and power. Used as a single sub in a sub/sat system or in multiples as part of a scalable, large format sound reinforcement system, the PRX618S-XLF performs with extreme efficiency and control. The subs are stackable and lightweight, ensuring quick set-ups and tear-downs, and due to their rugged construction are perfect for AV rental inventories. With a pole receptacle (that accepts a SS4-BK or SS4-BK24) on the top panel and integrated stereo pass-through this is the most powerful low-frequency complement to the PRX full-range systems. The addition of a polarity reverse option further enables system optimization.

The PRX618S is a high performance self-powered subwoofer system. The PRX618S is comprised of a powerful 2268FF Differential Drive® dual voice-coil and magnetic gap, neodymium woofer driven by a 1000 watt (dual 500 watt) Crown Class-D power amplifier. Dual-Bridge Technology™ directly links discrete amplifier channel outputs to each voice coil in the Differential Drive woofer. Electrical power transfer to the transducer is optimized for more power performance. A proprietary DSP chip is at the core of a fully featured input section, providing user selectable cross-over functionality, polarity optimization, protection, dynamic limiting and discrete component optimization.

The amplifier input panel offers stereo inputs with XLR or ¼ in jack compatibility. A user selectable crossover ensures a smooth transition to full-range system connected to the stereo outputs. Signal present and limiter lights indicate the system status and assist in setting the optimum level, via the level control knob.

All PRX600 cabinets are built from a combination of 25 mm (on the top and bottom for added rigidity) and 18 mm, strong, lightweight poplar plywood made structurally sound with tongue and groove joints. All PRX600 Series cabinets are protected by JBL's tour proven DuraFlex™ finish. Grilles are made from dent-resistant 16 gauge steel and handles are made from lightweight, glass-filled nylon for added strength and durability.



Specifications:

System

System Type:	Self powered 18", bass-reflex
Maximum SPL Output:	133 dB peak
Frequency Range (-10 dB):	30 Hz - 105 Hz
Frequency Response (±3 dB):	39 Hz - 93 Hz
Input Connectors:	Balanced XLR 1/4" combo jack with XLR loop-through. (stereo)
Input Impedance:	20K ohms (balanced), 10K ohms (unbalanced)
Signal indicators:	Limit : Red LED indicates limiter active condition Signal: Green LED indicates signal present
Polarity:	Normal or reverse polarity
Crossover Modes:	DSP controlled 48 dB/oct filter slope
Crossover Frequency:	90 Hz
Dynamic Control (Input):	dbx Type IV™ limiter circuit

Amplifier

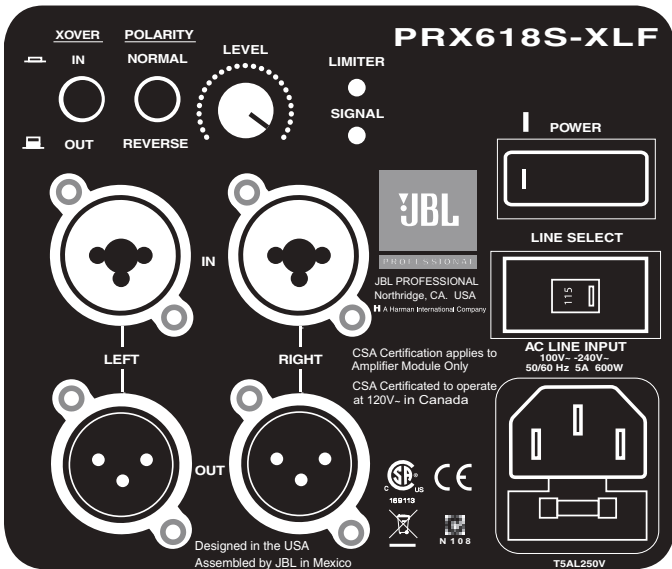
Design:	Crown® Class D
Power Rating:	1000 W (2 x 500)

Speaker

LF Driver:	460 mm (18") Differential Drive® dual voice-coil and magnetic gap, neodymium woofer
Enclosure:	Rectangular, 18 mm, plywood
Suspension/ Mounting:	M20 threaded pole socket on top
Transport:	2 x injection molded handles with backing cup
Finish:	Obsidian DuraFlex™ finish
Grille:	Powder coated, Obsidian, 16 gauge perforated steel with acoustically transparent black cloth backing.
Input Connectors:	Balanced XLR / 1/4" combo jack with XLR loop-through
Dimensions (H x W x D):	685.8 mm x 530.9 mm x 716.3 mm (27.0" x 20.9" x 28.2")
Net Weight:	37 kg (81.5 lb)
Gross Weight:	42.3 kg (93 lb)

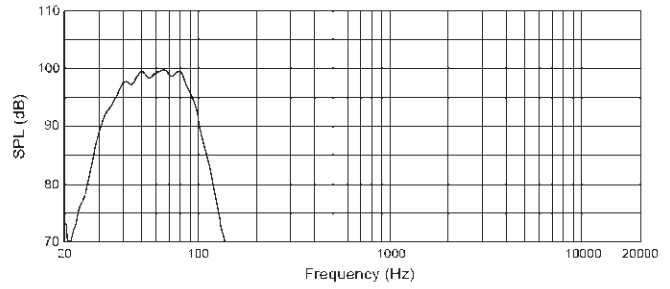
JBL continually engages in research related to product improvement. Some materials, production methods and design refinements are introduced into existing products without notice as a routine expression of that philosophy. For this reason, any current JBL product may differ in some respect from its published description, but will always equal or exceed the original design specifications unless otherwise stated.

► PRX618S-XLF 18" Self Powered, Bass-Reflex

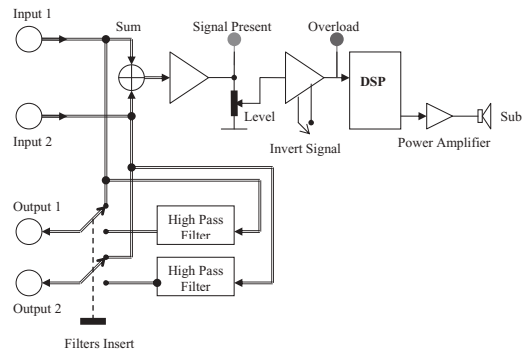


PRX618S-XLF Input Panel

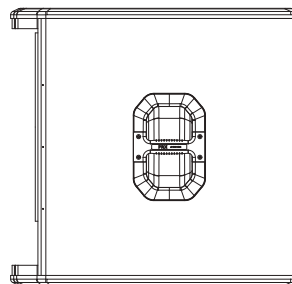
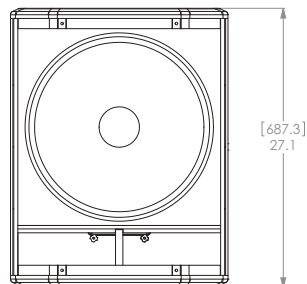
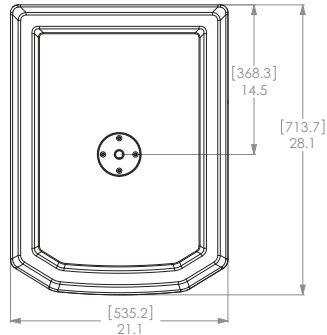
Frequency Response



Block Diagram



Dimensions in (mm) inches



JBL Professional
8500 Balboa Boulevard, P.O. Box 2200
Northridge, California 91329 U.S.A.

© Copyright 2010 JBL Professional
www.jblpro.com

SS PRX618S-XLF
CRP
05/10