

# Technical Manual

# JBL SP128S/WH



## SPECIFICATIONS

### ACOUSTIC & ELECTRICAL SPECIFICATIONS:

- Nominal Impedance: 4 ohm (2 x 8 ohms)
- Power Capacity: 1600W AES: 6400W Peak (2 x 800W AES: 3200W Peak)
- Frequency Range: 32 Hz – 2.3 kHz (–10dB)
- Sensitivity: 102 dB SPL, 1 Watt @ 1 Meter

### SYSTEM COMPONENTS:

- Cabinet: (Not For Sale)
- Grille: 128-00373-65, 128-00383-00(Wh)
- Low Frequency Transducer: 460mm (18 in.) Cone Transducer (2242HPL) (2)
- DC Resistance: 4.7 ohm ± 10% Aluminum Wire

### SYSTEM COMPONENTS: (cont'd)

- Connector Assy: 129-00014-00

### AURAL SWEEP TEST SPECIFICATIONS:

- A. System Aural Sweep Test: 7.0V Input, 20 Hz to 1.2 kHz
- B. L.F. Aural Sweep Test: 7.0V Input, 20 Hz to 1.2 kHz

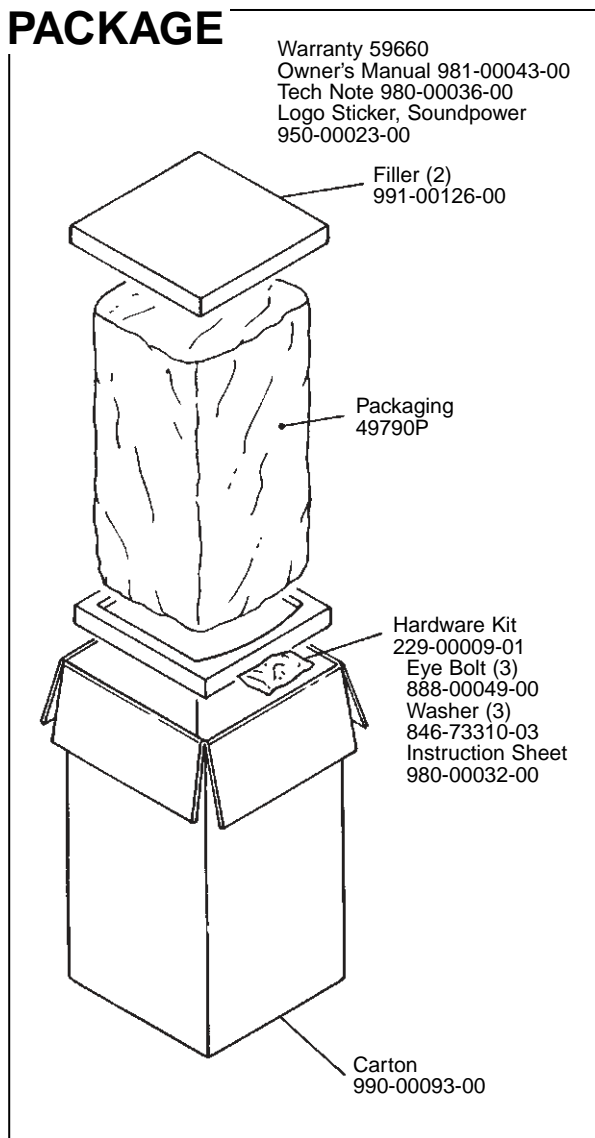
### PHYSICAL SPECIFICATIONS:

- Enclosure Dimensions: 1212mm x 572mm x 572mm D (47.75 x 22.50 x 22.50 in. D)
- Shipping Weight: 150 lbs. (68 kg.)

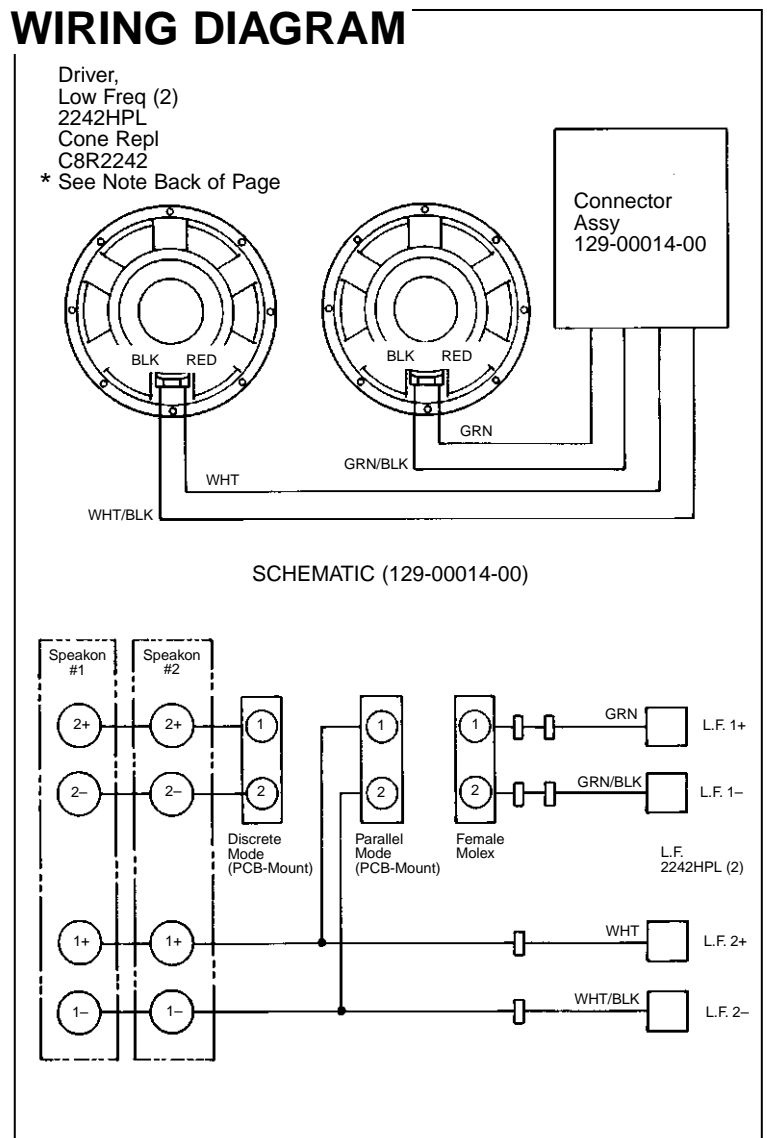
### WARRANTY INFORMATION:

- Refer to Warranty Statement packed with each product.

## PACKAGE



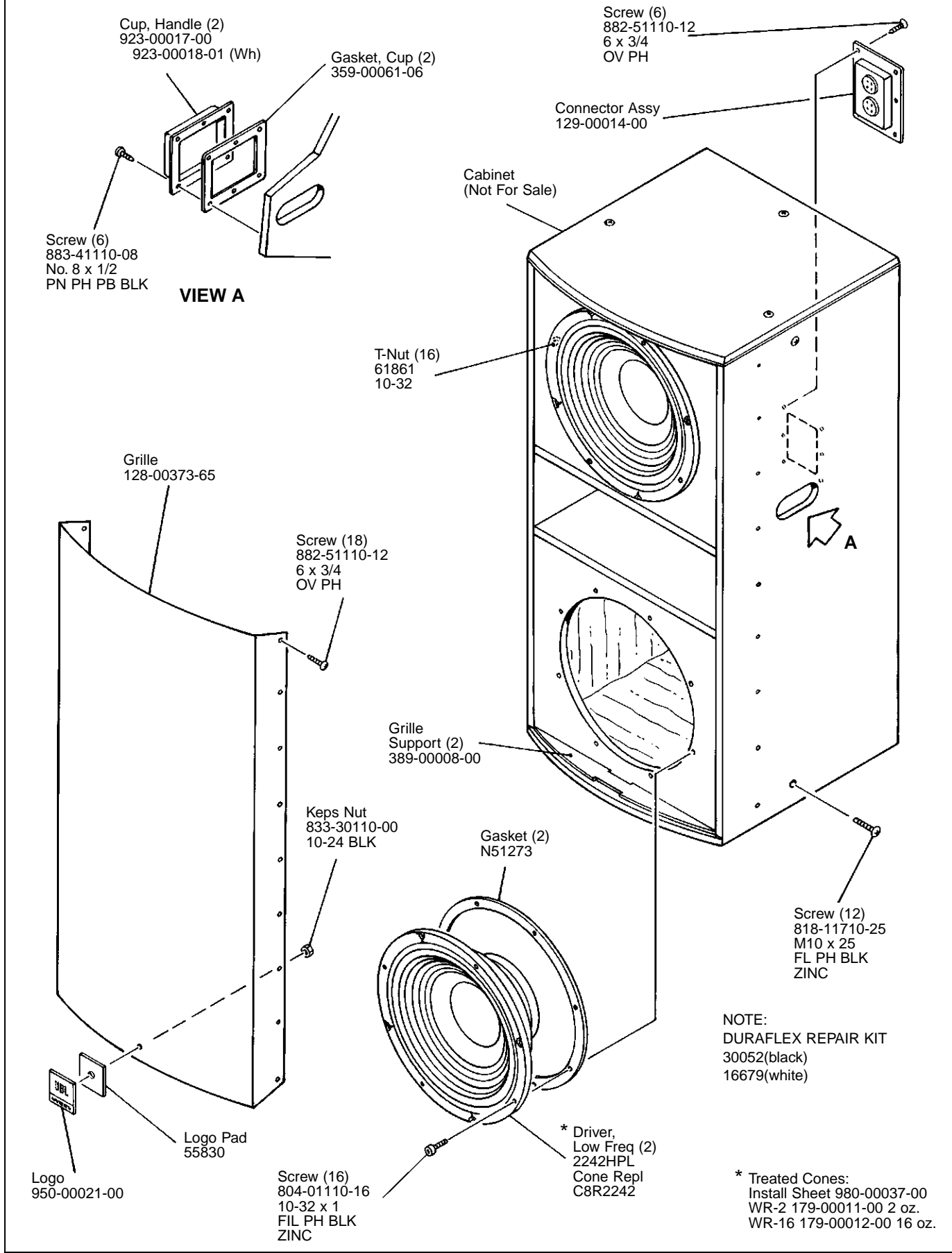
## WIRING DIAGRAM



JBL SP128S/WH REV L

# JBL SP128S/WH

## COMPONENT EXPLODED VIEW



JBL SP128S/WH