

Technical Manual

JBL SP222/WH



SPECIFICATIONS

ACOUSTIC & ELECTRICAL SPECIFICATIONS:

- Nominal Impedance: 4 ohm
- Power Capacity: 1200W IEC; 4800W Peak
- Frequency Range: 32 Hz – 20 kHz (–10dB)
- Sensitivity: 98 dB SPL, 1 Watt @ 1 Meter
- Crossover Frequency: 1.6 kHz

SYSTEM COMPONENTS:

- Cabinet: (Not For Sale)
- Grille: 128-00203-6, 128-000203-00 (Wh)
- Low Frequency Transducer: 300mm (12 in.) Cone Transducer (2206HPL) (2)
- DC Resistance: 5.3 ohm ± 10% Aluminum Wire
- High Frequency Transducer: 100mm (4 in.) Pure Titanium Diaphragm (2447J)
- DC Resistance: 8.0 ohm ± 8% Aluminum Wire

SYSTEM COMPONENTS: (cont'd)

- Crossover Network 129-20027-00

AURAL SWEEP TEST SPECIFICATIONS:

- A. System Aural Sweep Test: 7.0V Input, 20 Hz to 20 kHz
- B. L.F. Aural Sweep Test: 7.0V Input, 20 Hz to 1.2 kHz
- C. H.F. Aural Sweep Test: 2.0V Input, 550 Hz to 20 kHz

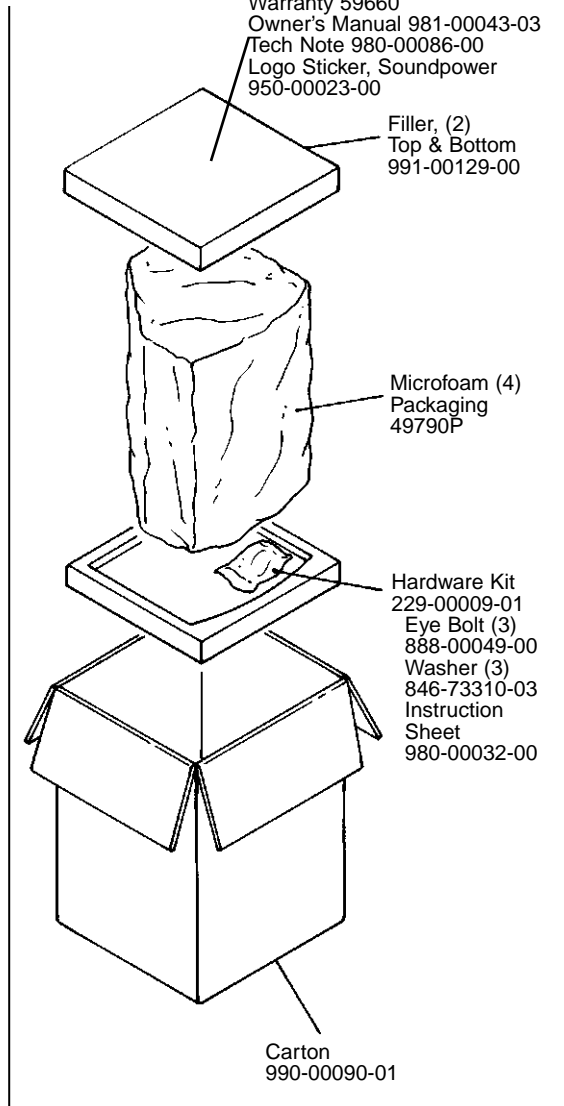
PHYSICAL SPECIFICATIONS:

- Enclosure Dimensions: 578mm x 709mm x 377mm D (22.74 x 27.92 x 18.71 in. D)
- Shipping Weight: 120 lbs. (54.4 kg.)

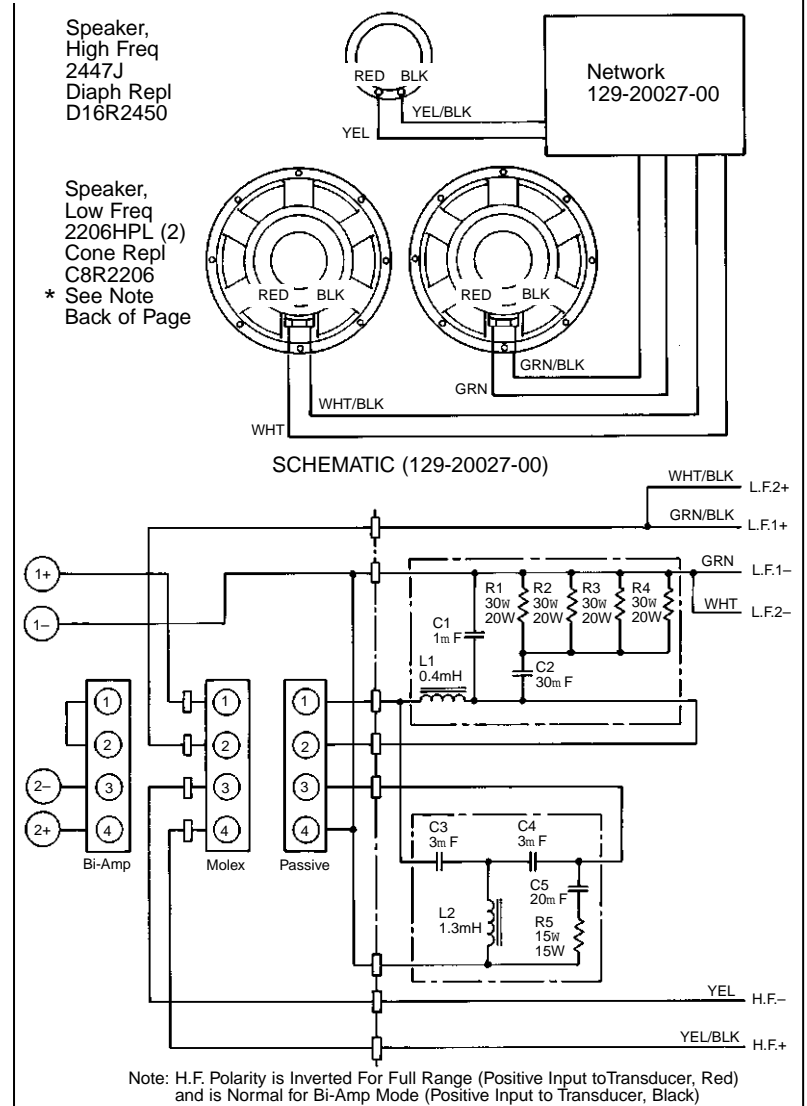
WARRANTY INFORMATION:

- Refer to Warranty Statement packed with each product.

PACKAGE



WIRING DIAGRAM



JBL SP222/WH

COMPONENT EXPLODED VIEW

NOTE: BLACK DURAFLEX
REPAIR KIT 30052

WHITE DURAFLEX REPAIR
KIT 30053

