



# SRX715/SRX715F

## 15" High-Power, Two-Way Speaker

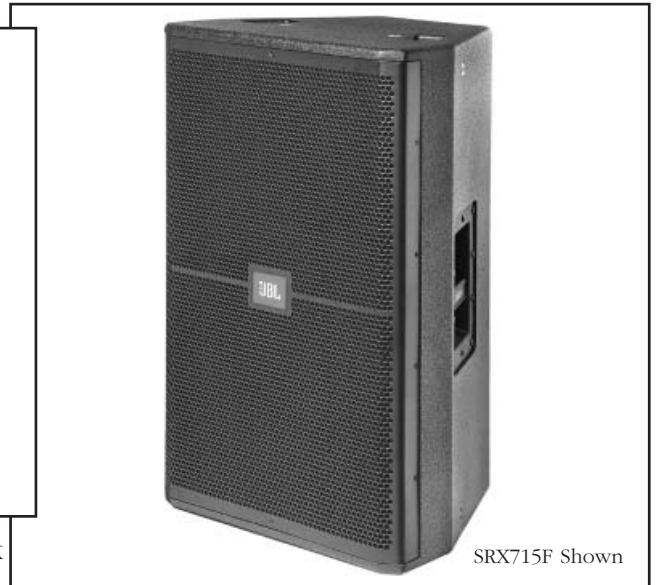
### Professional Series

### Key Features:

- ▶ Light-weight and very high-power
- ▶ 75° x 50° coverage
- ▶ Bi-amplified or full-range passive operation
- ▶ Dual-angle pole socket for applications requiring tripod mounting
- ▶ Flying version available (SRX715F) with five suspension points. May be used with optional M10 eyebolts or detachable track fittings
- ▶ Differential Drive® woofer with neodymium magnet for high-power capacity and very light-weight
- ▶ 3" (voice-coil) compression driver with neodymium magnet



With SRX718S and SS4-BK



SRX715F Shown

### Applications

- ▶ Reinforcement of music and speech in entertainment or AV applications
- ▶ High-performance satellite speaker for use with subwoofers

The SRX715 is high-power, light-weight two-way loudspeaker system offering the highest level of performance available from a speaker that can be placed on a pole or standard speaker tripod stand. The SRX715 is comprised of a 380 mm (15 in) 2265H patented\* Differential Drive® woofer which handles 800 watts (continuous) yet the entire system weighs only 22 kg (48 lb). For high frequencies, a 2431H 75 mm (3 in) voice-coil, neodymium compression driver is mounted to a 75° by 50° aluminum horn.

Bi-amp or full-range passive operation may be selected by means of a recessed, high-current switch mounted on the input plate.

For use on a tripod or over a subwoofer, JBL's dual-angle pole mount is included. This feature allows the speaker to be mounted in a vertical position or with a 10° down tilt for optimum audience coverage. For applications requiring suspension, a flying version, the SRX715F is available. The F version offers the option of selecting economical, forged eyebolts (not included) for fixed installation or the convenience of detachable track fittings (not included) for portable applications.

\*U.S. Patent 5,748,760; other U.S. and foreign patents pending.

The enclosure is constructed of top quality birch plywood and coated in JBL's rugged DuraFlex™ finish. The attractive CNC-machined, 16-gauge steel grille wraps around the sides of the enclosure so there are no protruding lips on the front of the box to create acoustical interference. The grilles are internally lined with acoustically transparent foam to provide additional driver protection and give a very professional appearance.

### Specifications:

Frequency Range (-10 dB):	43 Hz – 20 kHz
Frequency Response (±3 dB):	53 Hz – 20 kHz
Coverage Pattern:	75° x 50° nominal
Crossover Modes:	Bi-amp / passive, externally switchable
Crossover Frequency:	1.2 kHz
Power Rating (Continuous <sup>1</sup> / Program / Peak):	Passive: 800 W / 1600 W / 3200 W Bi-amp LF: 800 W / 1600 W / 3200 W Bi-amp HF: 75 W / 150 W / 300 W
Maximum SPL <sup>2</sup> :	131 dB SPL peak
System Sensitivity (1w @ 1m):	96 dB SPL (passive mode)
LF Driver:	1 x JBL 2265H 380 mm (15 in) Differential Drive woofer with neodymium-magnet and dual voice-coils
HF Driver:	1 x JBL 2431H 75 mm (3 in) voice-coil, neodymium-magnet compression driver
Nominal Impedance:	Passive: 8 ohms Bi-amp LF: 8 ohms Bi-amp HF: 8 ohms
Active Tunings:	dbx DriveRack, all models. Settings available at <a href="http://www.jblpro.com">www.jblpro.com</a>
Enclosure:	Trapezoidal, 15 mm, 11-ply birch plywood
Suspension / Mounting:	Dual-angle (0° or -10°) 35 mm pole socket 5 x suspension points, M10 or optional fly track kit (SRX715F only)
Transport:	2 x steel handles
Finish:	Black DuraFlex finish
Grille:	Powder coated, black, 16-gauge perforated steel with acoustical transparent charcoal foam backing. Removable JBL badge and punched JBL logo.
Input Connectors:	Neutrik® Speakon® NL-4 (x2)
Dimensions (H x W x D):	711 mm x 439 mm x 406 mm (28 in x 17.3 in x 16 in)
Net Weight:	22 kg (48 lb)
Optional Accessories:	SRX715-CVR: Pull-over padded cover SRX-FF3: 3x detachable flying fittings 229-00009-01: 3 x 10 mm forged eyebolts

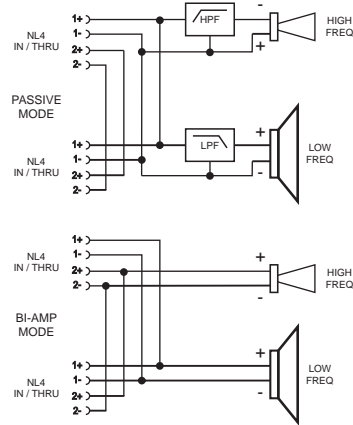
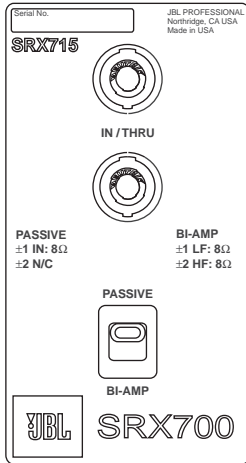
<sup>1</sup>IEC filtered noise with 6 dB crest factor.

<sup>2</sup>Calculated based on peak power rating and sensitivity, 1 m.

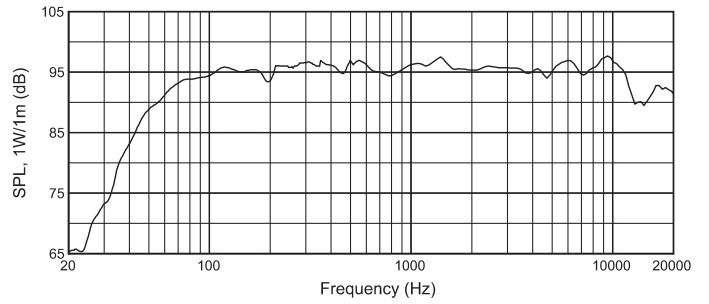
JBL continually engages in research related to product improvement. Some materials, production methods and design refinements are introduced into existing products without notice as a routine expression of that philosophy. For this reason, any current JBL product may differ in some respect from its published description, but will always equal or exceed the original design specifications unless otherwise stated.

# ► SRX715/SRX715F 15" High-Power, Two-Way Speaker

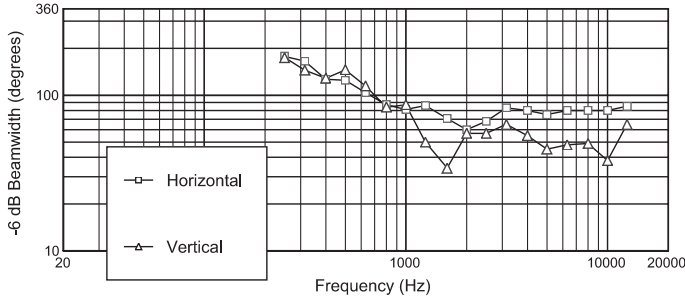
## Block Diagram



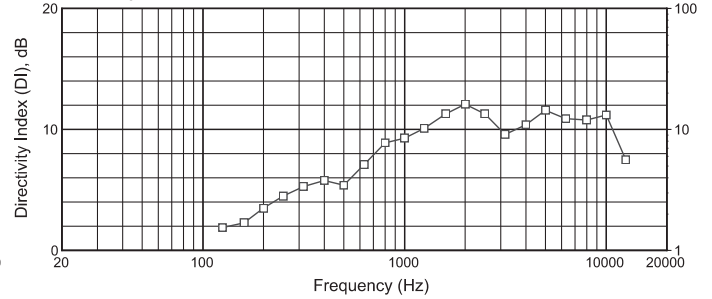
## Frequency Response



## Beamwidth

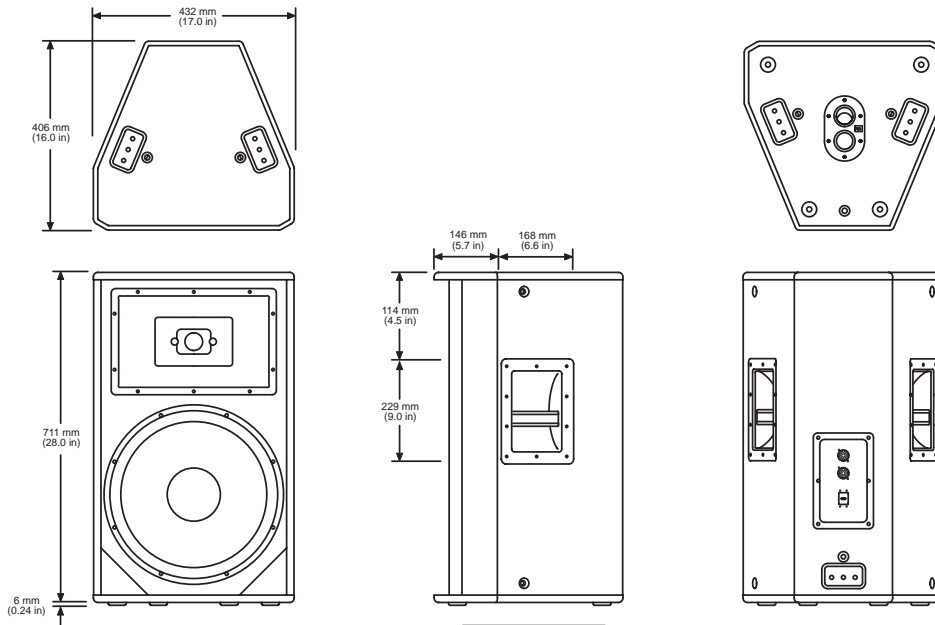


## Directivity Index



Graphs represent performance with passive crossover network

## Dimensions



(SRX715F Shown)

JBL Professional  
8500 Balboa Boulevard, P.O. Box 2200  
Northridge, California 91329 U.S.A.

■ A Harman International Company  
© Copyright 2004 JBL Professional

SS SRX715  
CRP 5M  
08/04