



SRX728S Dual 18" High Power Subwoofer

Professional Series

Key Features:

- ▶ Dual 18 inch, 2268H Differential Drive[®] woofers for extended low-frequency output
- ▶ Large vent area for reduced distortion

Applications

- ▶ Live performance venues
- ▶ Mobile and fixed DJ systems
- ▶ Sound system rental

The SRX728S is a high power subwoofer system containing two 2268H neodymium magnet, patented^{*} Differential Drive[®], 18" woofers in a front-loaded, vented enclosure. The enclosure is designed to present a minimum frontal area. The system offers complete input connection flexibility for compatibility with a variety of cabling schemes. A recessed, external switch allows selection of either contacts +1/-1 or +2/-2. By relocating an internal connector, it is also possible to drive each woofer discretely from a separate amplifier channel.

The enclosure is constructed of top quality birch plywood and coated in JBL's rugged DuraFlex[™] finish. Each woofer is housed in an isolated chamber and the enclosure is heavily braced to maximize low-frequency performance. The attractive CNC-machined, 16-gauge steel grille is internally lined with acoustically transparent foam to provide additional driver protection and give a very professional appearance.

^{*}U.S. Patent 5,748,760; other U.S. and foreign patents pending.



Specifications:

Frequency Range (-10 dB):	27 Hz – 220 Hz
Frequency Response (±3 dB):	33 Hz – 220 Hz
Input Connection Modes:	Switchable, +1/-1 or +2/-2 Internally selectable, Parallel or Discrete
Recommended Crossover Frequencies:	80 Hz, 24 dB / octave HPF 80 Hz, 24 dB / octave LPF
Power Rating (Continuous ¹ / Program / Peak):	Parallel: 1600 W / 3200 W / 6400 W
Maximum SPL ² :	136 dB SPL peak
Sensitivity (1w @ 1m):	98 dB SPL
LF Driver:	2 x JBL 2268H 457 mm (18 in) Differential Drive woofer with neodymium-magnet and dual voice-coils
Nominal Impedance:	Parallel: 4 ohms Discrete: 8 ohms x 2
Active Tunings:	dbx DriveRack, all models. Settings available at www.jblpro.com
Enclosure:	Rectangular, 18 mm, 13-ply birch plywood
Finish:	Black DuraFlex finish
Grille:	Powder coated, black, 16-gauge perforated steel with acoustical transparent charcoal foam backing. Removable JBL badge and punched JBL logo.
Input Connectors:	Neutrik [®] Speakon [®] NL-4 (x2)
Dimensions (H x W x D):	602 mm x 1067 mm x 838 mm (23.7 in x 42 in x 33 in)
Net Weight:	76 kg (166.5 lb)
Optional Accessories:	SRX728S-CVR: Pull-over padded cover

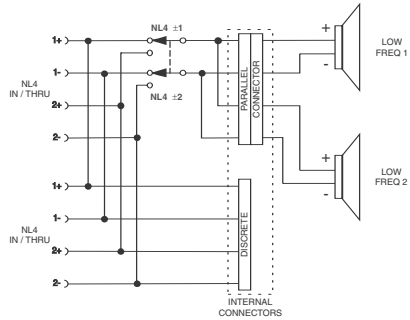
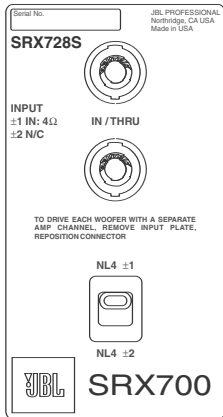
¹40 Hz to 120 kHz pink noise with 6 dB crest factor.

²Calculated based on power rating and sensitivity.

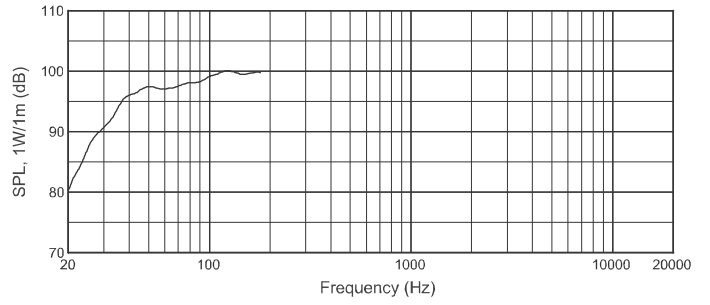
JBL continually engages in research related to product improvement. Some materials, production methods and design refinements are introduced into existing products without notice as a routine expression of that philosophy. For this reason, any current JBL product may differ in some respect from its published description, but will always equal or exceed the original design specifications unless otherwise stated.

SRX728S Dual 18" High Power Subwoofer

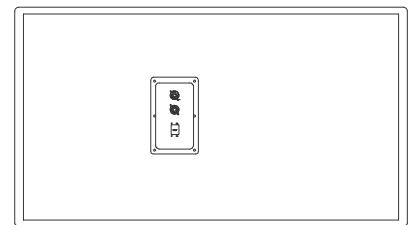
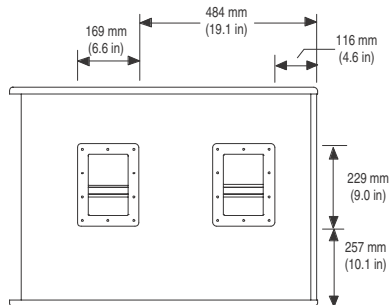
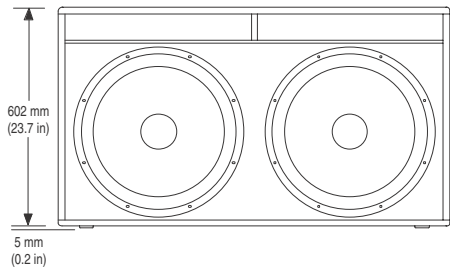
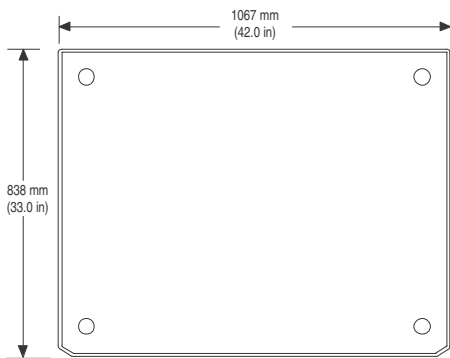
Block Diagram



Frequency Response



Dimensions



JBL Professional
8500 Balboa Boulevard, P.O. Box 2200
Northridge, California 91329 U.S.A.

A Harman International Company
© Copyright 2004 JBL Professional

SS SRX728S
CRP 5M
08/04