

Technical Manual

JBL SOUNDZONE ZRV

TECHNICAL SPECIFICATIONS



ZR-V

For Volume Only

•Remote

Wall Plates:

Connection via Category 5 UTP, Category 5 Connectors Both Ends, no Audio Runs Through Wires. RJ45 Connector.

•Weight:

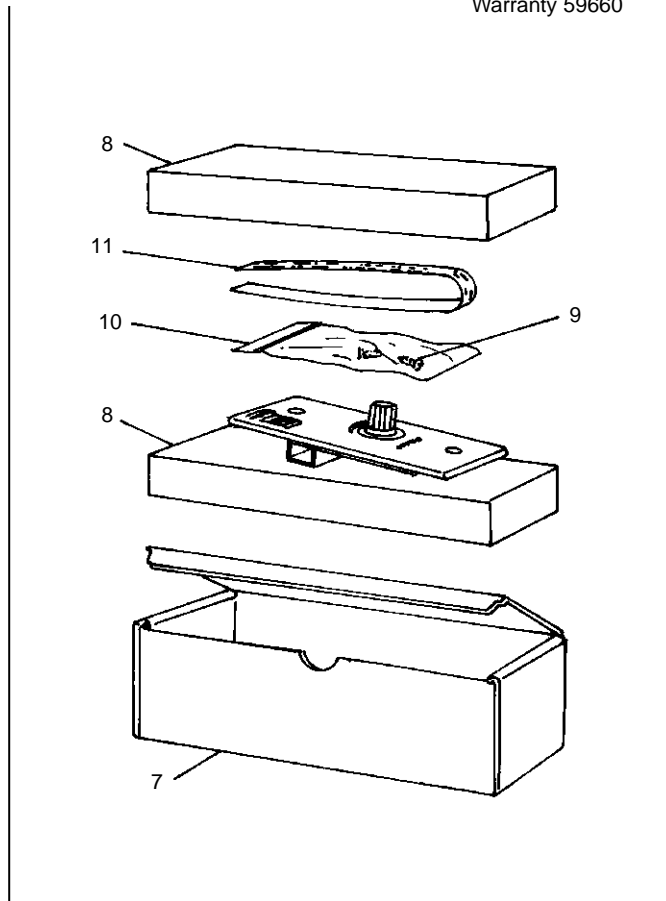
1 lb. (.45 kg)

COMPONENT PARTS LIST

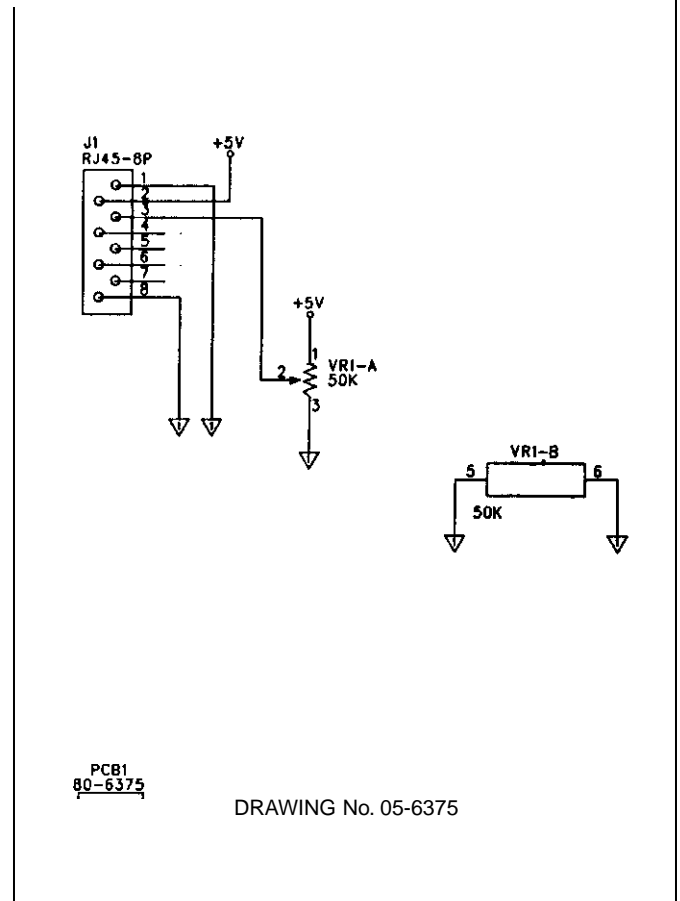
| ITEM NO. | PART NO. | QTY | DESCRIPTION |
|----------|----------|-----|---------------------------------------|
| 1 | 05-6375 | 1 | ZRV MAIN PCB ASSY |
| 2 | 40-2152 | 1 | POT 50k LINEAR TAPER |
| 3 | 32-3301 | 1 | RECEPTACLE, RJ-45 SNGL 8 CON 8 LOAD |
| 4 | 04-6375 | 1 | ZRV MECHANICAL ASSY |
| 5 | 10-6375 | 1 | ZRV FRONT PANEL P & S |
| 6 | 34-0259 | 1 | KNOB SOFT TOUCH WHITE LINE (Z21S/32S) |
| 7 | 20-6374 | 1 | PRODUCT BOX |
| 8 | 22-6374 | 2 | BOX INSERT |
| 9 | 10-6371 | 2 | PAINTED SCREW |
| 10 | 22-0100 | 1 | POLY BAG |
| 11 | 30-6364 | 1 | LABEL Z32S/21S STICK ON SOURCE |
| 12 | | | |
| 13 | | | |

PACKAGE

Warranty 59660



SCHEMATIC

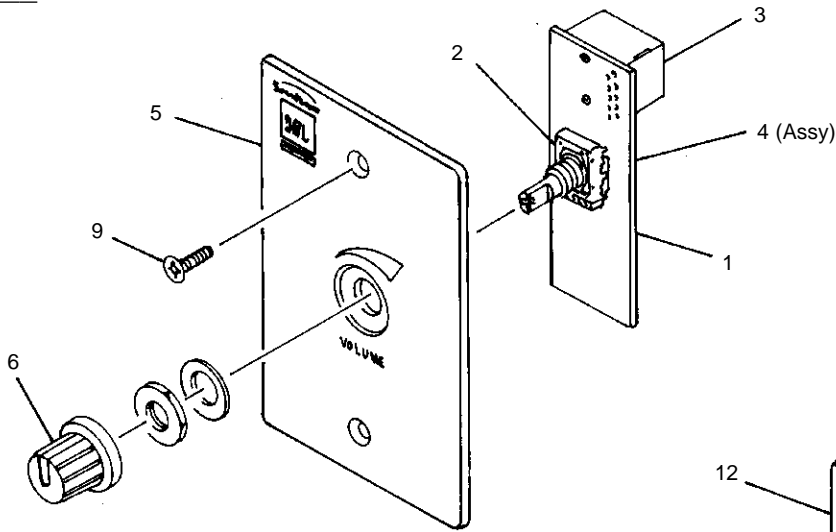


JBL SOUNDZONE ZRV REV A

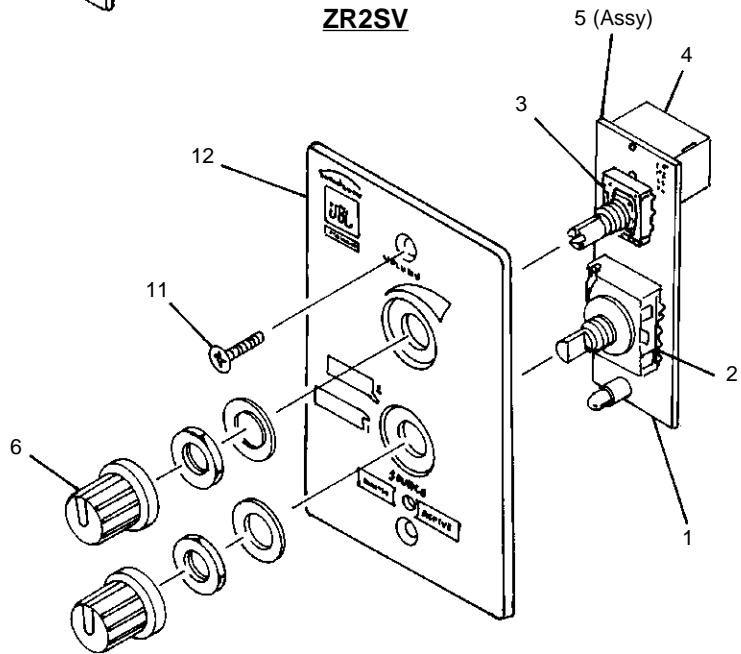
JBL SOUNDZONE ZRV, ZR2SV, ZR3SV

COMPONENT EXPLODED VIEW

ZRV



ZR2SV



ZR3SV

