



DMX Signal Amplifier User's Manual

Thank you for choosing our product, please carefully read this manual and operate it obey the specification in order to make sure you can correct and safety installing、operating and maintaining it; We will not take any responsibility for the damage and body injury which caused by the abnormal operation.

Preface

This Manual includes the important information of installation and operation. Please install and operate the controller according to the instructions strictly. And it must be power off when open the controller or before repair.

A: Please read the complete contents of this manual (please keep this manual attach with the controller for any preview)

B: In order to make sure the correct and safety installation、operation and maintenance, well know and follow to the instructions of Manual is necessary.

C: We will not take any responsibility to the controller damage、property loss or body injure which caused by the incorrect installation、operation and maintenance.

NOTICE: The data which inside the Manual maybe changed due to the continuous improvement, and we'll not make another notice. We will keep the right to any specification update during improvement

●Packing Content
(accessories)

1: Signal Cable (1PCS)

2: User's Manual (1PCS)

3: Maintenance Card (1PCS)

●Unpacking Instruction:

Please check if all the contents are completed after unpacking? then, check if the controller is undamaged? Please you can keep the original package and return to the factory if it's damaged

●**AC Power:** Check whether the voltage is accordance with the rated power.

●**Safety Specifications: all the safety items of operation(includes installation)and before operating.**

1.Unpacking the carton and take out all the accessories, and open the poly package, take out the Amplifier from the carton, and put it in a certain platform for operation.

2.The signal amplifier must keep dry and to avoid to use under the Moist、Overheat or Dusty surroundings. And keep it far away from the water or other liquid.

3.The installation、operation and maintenance must be managed by the qualified professional, and make sure to operate it under the instruction of the Manual.

4.Please check if the voltage is accordance with the rated power before installing.

Notice: Please make sure it's power off before any installation、repair and clean!

Introduction

The device has DMX signal transmit function, 1 way direct input and 4 way output . between output and output, output and input, it's totally isolated . input socket and output socket is the standard 3-pin connector.

Technology Parameter

1.Input Voltage: AC220V-240V 50Hz / AC100V-120V 60Hz

2.Outline Size: 27.7×17.8×7.4cm

Packing Size: 54×38×33cm(4pcs/ctn)

3.N.W: 2.6Kg

G.W: 3.0Kg

Installation

● Installation

First, put the signal amplifier on the special desk, and then connect the signal amplifier and the light through the signal line.

● Connection of Power and Wire

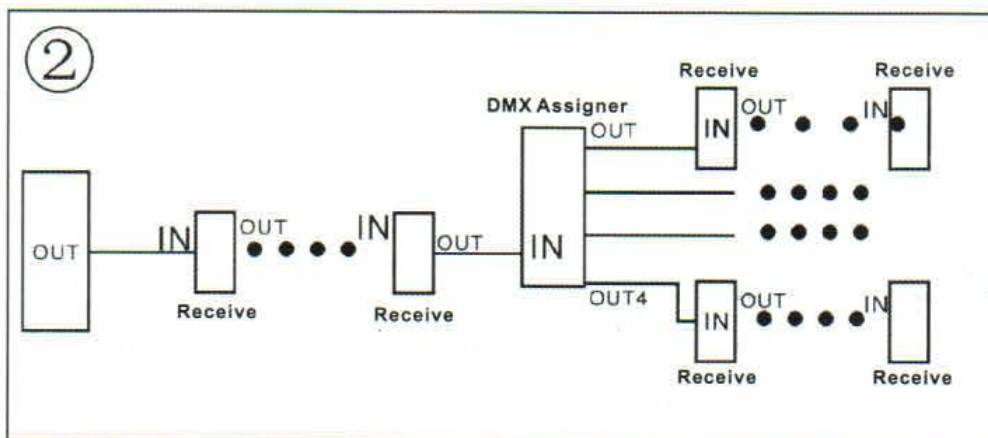
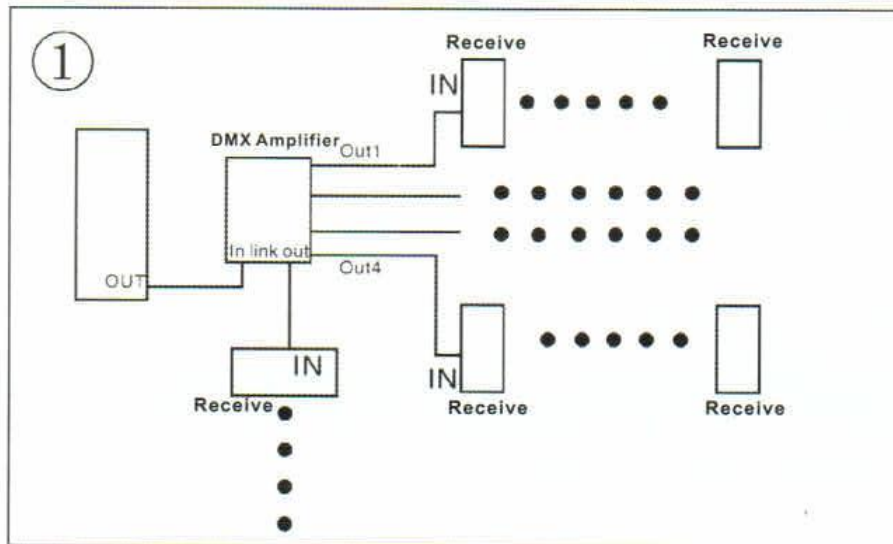
The exclusive power cable should be used between the connection of signal amplifier and power, and please confirm if the rated voltage and frequency is accordance with the power supply. Parameter of Input Voltage and Frequency should be:

Voltage	AC220-240V / AC100-110V	Frequency	50Hz/60Hz
---------	-------------------------	-----------	-----------

**Please contact the service agent or professional for replacement if the power cable got any damage, please use the same type power wire for replacement.
Caution: the ground wire(yellow/green double-color wire) must be safely connected, the electronic installation must be in accordance with the related standards.**

Operation

Operation instruction and connection diagram



DMX IN: connect to the controller or (DMX OUT) of signal source

DMX OUT: connect to the input (DMX IN) of the DMX receiver

Diagram ①, the receiver quantity of each channel should be less than 32 pcs, the last device should connect with a terminal resistor.

Diagram ②, the receiver quantity before the assigner should be less than 32 purchase, receiver quantity of each channel should be less than 32 pcs, the last device should connect with a terminal resistor; press button if you want to use it as the last device, and link out without DMX output.

Appendix

1. The amplifier must be well connected
2. The power must be disconnected before installation
3. Do not use it in wet surroundings to avoid electric shock

Maintenance

● Cleaning and Using Frequency of Product

Please make sure the power is disconnected before open the amplifier or maintenance, the inner part of the amplifier should be cleaned by vacuum cleaner at least once a year.

● Complain

1. The salesman will check the details of complained problem. ~~included the item no~~
2. QC and Technology department will analysis the complained problem, and give a final solution to customer.

Faulty Disposal

Familiar Faulty	Solution
Amplifier doesn't work	1. Check if the fuse is broken? 2. Check if the +12V or +5V of circuit board is short-circuited?
Amplifier without signal output	1. Check the signal communication of the wires. 2. Check if the soldering of the amplifier's XLR connector is fall off or not